



CITY OF PROVIDENCE, RHODE ISLAND

Department: Providence Water

RFP Title: Accelerated Lead Service Line Replacement Program Contract 1.1

Opening Date: 08/28/2023

Addendum #: 1

Issue Date: 08/10/2023

The purpose of this addendum is:

Additional documents to attach.



ADDENDUM NO. 1

TO: ALL CONTRACT DOCUMENT HOLDERS OF RECORD
ALL PROSPECTIVE BIDDERS

FROM: PROVIDENCE WATER
125 DUPONT DRIVE
PROVIDENCE, RHODE ISLAND 02907
PHONE: (401) 521-6300

DATE ISSUED: THURSDAY, AUGUST 10, 2023

RE: ACCELERATED LEAD SERVICE LINE REPLACEMENT PROGRAM –
CONTRACT 1.1
CONTRACT NO. 20234

BID OPENING DATE: MONDAY, AUGUST 28, 2023 AT 2:15 PM

BID OPENING LOCATION: BOARD OF CONTRACT AND SUPPLY MEETING
CITY COUNCIL CHAMBERS
PROVIDENCE CITY HALL
25 DORRANCE STREET
PROVIDENCE, RHODE ISLAND 02903

LAST WRITTEN QUESTIONS DUE: FRIDAY, AUGUST 18, 2023

This Addendum No. 1, including all referenced attachments, modifies, amends, and supplements designated parts of the Contract Documents to the above-referenced project and shall be part of the Contract Documents as provided in the “Instructions to Bidders” for the above-referenced project.

Acknowledge receipt of this Addendum by inserting its number and date on page 00 41 00 – 1 of the Bid Form. Failure to do so may subject the Bidder to disqualification.

The Contract Documents are hereby modified, amended, and supplemented as follows:

ATTACHMENTS

The following attachments are included with this Addendum:

1. Pre-Bid Conference Meeting Report
2. Section 004100 Bid Form Pages 2-6
3. Section 007200 EJCDC General Conditions
4. Section 007300 Supplementary Conditions
5. Section 01170 – Example Blank ROE Form
6. Appendix B – Construction Details Nos. 1a, 1b, 2 and 5
7. Appendix F – List of Approved Materials/Manufacturers for Use in the Providence Water Distribution System
8. Appendix Q – Copland Act (29 CFR Part 3 Anti-Kickback Regulation)
9. Appendix R – Rhode Island Prevailing Wage Rates

PRE-BID CONFERENCE

1. The meeting report from the pre-bid conference held on Tuesday July 25, 2023 at 2:00 PM is attached to and included with this Addendum.

SPECIFICATIONS

1. **SPECIFICATION 004100 – BID FORM: REPLACE** Section 004100 Pages 2 through 6 with the attached revised Section 004100 Bid Form Pages 2 through 6.
2. **SPECIFICATION 007200 – EJCDC GENERAL CONDITIONS: REPLACE** Section 007200 in its entirety with the attached revised Section 007200 General Conditions.
3. **SPECIFICATION 007300 – SUPPLEMENTAL CONDITIONS: REPLACE** Section 007300 in its entirety with the attached revised Section 007300 Supplemental Conditions.

4. **SPECIFICATION 01014 – CONSTRUCTION SEQUENCE AND SCHEDULE REQUIREMENTS: ADD** the following after Paragraph 1.01.E:

“F. No City of Providence Department of Public Works controlled roads can be opened after November 15th or before April 15th.”

5. **SPECIFICATION 01025 – MEASUREMENT AND PAYMENT:**

a. **DELETE** the text “(ITEMS 2A-2C)” in Section 01025 Paragraph 3.05 title and **REPLACE** with “(ITEMS 2A-2D)”.

b. **ADD** the following after Paragraph 3.05.B.3:

“4. (Item 2D) Reduced Pressure Zone (RPZ) Backflow Preventer – Measurement will be based on the number of locations where an RPZ backflow preventer is installed where required by Section 15410 Interior Service Piping and Appurtenances.”

c. **ADD** the following after Paragraph 3.05.C.2:

“3. Payment for **Item 2D Reduced Pressure Zone (RPZ) Backflow Preventer** shall be full compensation for all residential private side replacements when a RPZ backflow preventer is required by Section 15410 Interior Service Piping and Appurtenances.”

d. **ADD** “Commercial bid items are only for commercial-only properties. Mixed use properties with a residential component are paid for under the residential bid items.” before the first sentence in Paragraph 3.06.A.1.a.

e. **ADD** “An RPZ is required at all commercial locations and shall be included in Bid Item 3A.” as the last sentence of Paragraph 3.06.B.1.

f. **ADD** “An RPZ is required at all commercial locations and shall be included in Bid Item 3A.” as the last sentence of Paragraph 3.06.B.3.

6. **SPECIFICATION 01046 CONTROL OF WORK: DELETE Paragraph 1.16 in its entirety and REPLACE** with the following revised Paragraph 1.16:

“1.16 PIPE TRENCH WIDTHS

A. Pipe trench widths referred to herein are the distances separating the vertical planes between which the pipe is to be laid. Maximum trench payment widths for open cut installations are provided on the Details included in Appendix B. In computing the

amount of excavation below 5-feet for payment under Item 1F, trench width shall be as specified for maximum trench width.

- B. Where trenchless installation methods are used, the excavation area shall be only what is needed for workers and equipment to perform the installation. Maximum access pit payment sizes for trenchless installations shall be 4 ft by 6 ft in the roadway and 4 ft by 4 ft at the curb stop or anywhere on private property.
- C. Trench and excavation limits are applicable for determining additional payment related to excavation, backfill, and restoration outside of the items included in the replacement bid items.”

7. **SPECIFICATION 01046 CONTROL OF WORK: DELETE** Paragraph 1.17 in its entirety and **REPLACE** with the following revised Paragraph 1.17:

“1.17 SERVICE LINE TRENCH DEPTHS

- A. The top of the trench shall be the ground elevation. The bottom of the trench shall be the invert elevation of the pipe and minimum 6-inches of bedding material and specified in Section 02230 Paragraph 2.01.E.
- B. In computing the amount of excavation below 5-feet for payment under Item 1F, trench depth shall be depth below 5-feet of excavation and trench width shall be as described in Paragraph 1.16.”

8. **SPECIFICATION 01170 – SPECIAL PROVISIONS BLANK ROE FORM: DELETE** Section 01170 Blank ROE Form in its entirety and **REPLACE** with Attachment No. 5 Section 01170 Blank ROE Form. Note, the Spanish translation will be provided to the selected bidder.

9. **SPECIFICATION 02221 – TRENCHING, BACKFILLING, AND COMPACTION: DELETE** Paragraph 3.01.J in its entirety and **REPLACE** Paragraph 3.01.J with the following revised Paragraph 3.01.J:

“J. Trenches shall be excavated to the depth and in widths no larger than the limit described in Section 01046 Control of Work Paragraphs 1.16 and 1.17. The bottom of the excavations shall be firm, dry and free of irregularities lumps, projections and in all respects acceptable to the Engineer.”

10. **SPECIFICATION 15410 – INTERIOR SERVICE PIPING AND APPURTENANCES: ADD** the following paragraph after Paragraph 2.07:

“2.08 REDUCED PRESSURE ZONE BACKFLOW PREVENTER

- A. Reduced Pressure Zone Backflow Preventer (RPZ) shall be a lead-free cast copper assembly for potable water with a minimum working pressure of 150 psi.
 - B. RPZs are required for high hazard applications per Table 608.1 of the State of Rhode Island Plumbing Code. Providence Water’s Cross Connection Control Program classifies commercial buildings and apartment buildings with four (4) or more units as a Level III buildings, which is a high hazard. A high hazard classification requires an RPZ.”
11. **DELETE** Detail Nos. 1a, 1b, 2 and 5 in their entirety and **REPLACE** with the Detail Nos. 1a, 1b, 2 and 5 in Attachment No. 6.
12. **DELETE** Appendix F in its entirety and **REPLACE** with the updated Appendix F in Attachment 7 of this Addendum.
13. **ADD** Appendix Q - Copland Act (29 CFR Part 3 Anti-Kickback Regulation) and Appendix R - Rhode Island Prevailing Wage Rates immediately after Appendix P – City of Providence Contract Terms and Conditions.

WRITTEN QUESTIONS AND COMMENTS SUBMITTED

1. **QUESTION:** Are you able to share the excel version of the list of addresses with me? And do we have access to private side and public side lengths?

RESPONSE: The Excel file of addresses will be provided to the successful bidder.

2. **QUESTION:** Also, related to section 02663 3.02 – Electrical Grounding. It is understandable that we check for electrical grounding prior to cutting the pipe, but why is the responsibility of making grounding modifications being put on the contractor and/or plumber? Neither should be performing this work. It still involves copper wiring and should be done by an electrician under a permit. Is this something you can add a separate item for, and specify that an electrician is required? I do not think we should need to carry this cost in all of our private side replacements (just in case we come across it). If you make it a separate bid item with a nominal quantity, it will cover the situations where this arises and we can be compensated for hiring an electrical subcontractor.

RESPONSE: A response to this question will be provided with Addendum No. 2.

3. **QUESTION:** Do the lead services need to be removed and disposed? Or can the lead services be abandoned in place (either fully or partially)? Various communities we have worked for have different preferences as to whether or not to remove or abandon lead services. We're reviewing the specs in depth now and I haven't seen any direction on it just yet.

RESPONSE: Per Section 01025, service replacement bid items include removal, disposal, demolition or abandonment of lead service lines.

4. **QUESTION:** For Item 1I Final Pavement (curb to curb), can you confirm if it will be 1.5" or 2" overlay? And what class of asphalt will be required?

RESPONSE: Per Section 02576 Paragraph 2.01.A, final street pavement restoration shall include 2" of micro-milling and resurfacing using Class 9.5 or 12.5 hot mix asphalt, as directed by City permit conditions.

5. **QUESTION:** In Bid Item 1E, is the unit cost intended to be the full cost of the long side replacement or is the unit cost the different in cost between a short side and long side?

RESPONSE: Per Section 01025 Paragraph 3.01.C.4, when the Contractor performs a long-side replacement, the Contractor will be paid for the service line replacement under the replacement bid items (1A or 1B as applicable), however, an additional payment under Bid Item 1E will be made to cover the additional work associated with performing trenchless or open-cut installation across utilities in the roadway.

-END OF ADDENDUM NO. 1-

ATTACHMENT 1



Meeting Agenda

Project: Accelerated Lead Service Line Replacement Program Contract 1.1 **Project No.:** 20234

Meeting Date: July 25, 2023 at 2:00 PM

Subject: Pre-Bid Conference Meeting

Location: Virtual Meeting via Microsoft Teams

It is expressly understood by all attendees that if there are any inadvertent conflicts in this Pre-Bid Conference with the Contract Documents (Specifications and/or Drawings), that the Contract Documents and any issued Addenda shall govern.

Meeting discussion and notes are shown in red font herein in this meeting report.

No attendees objected to the virtual meeting discussion being recorded to facilitate the creation of this meeting report.

1. Introductions & Meeting Attendance

- a. Owner – Providence Water (PW)
 - i. Matt Gallant
 - ii. Joe Martino
- b. Engineer – CDM Smith
 - i. Megan Moody
 - ii. Sandy Kutzing
 - iii. Eileen Sundberg
 - iv. Ben Skrabak
- c. Attendees – All attendees must provide name and agency/company name; please email Megan Moody, CDM Smith Project Manager, at moodymb@cdmsmith.com to confirm your meeting attendance and provide contact information for distribution of the final meeting report. Meeting is being recorded. Hold all questions until the end. Please mute yourself if not speaking to limit background noise.
 - i. Pete Fogarty (Boyle and Fogarty)
 - ii. Armando Ricci (Ricci Drain)
 - iii. Stephen Biszko (Biszko)
 - iv. Jared Nunes (R.T. Nunes and Sons)
 - v. Tom Simbro (CB Utility)
 - vi. Paul D'Ercole (D'Ercole Construction)

2. Summary of Project and Work

- a. The Work of this Project generally includes replacing lead service lines within the retail water service area of PW in the Lower South Providence area of the City of Providence and northern area of the City of Cranston, Rhode Island.
- b. Work of this Project will include, but is not limited to, furnishing all materials, labor, equipment, tools, services, appurtenances, and incidentals required to replace lead service lines (both public and private) and to perform all required and associated surface restoration.
- c. Refer to Section 01010 – Summary of Work for a detailed description and summary of all Work of this Project.
- d. Bidders are requested to provide unit rate bid prices for replacing public side only lead service lines (water main to curb stop), public side portion of a full lead service line (water main to curb stop), private side only lead service line (curb stop to meter) and private side portion of a full lead service line (curb stop to meter), along with their qualifications to perform the Work of replacing water service lines. Minimum qualification requirements for water service line replacements and installations are specified in Section 00 21 13 – Instructions to Bidders, Article 2, Paragraph 2.2.
- e. The intent of this Project is that the Owner desires to make an award to the lowest qualified and responsible Bidder on the basis of the Base Bid plus all Supplementary Bid Items.
- f. No work shall be performed by any Contractor without first obtaining and securing proper permits from the respective jurisdiction(s) and issuing authorities. Permit costs are to be included as part of the lead service line replacement unit cost.
- g. Uniformed Traffic Control shall be arranged and coordinated directly by the Contractor and invoices for any and all traffic control shall be submitted for direct reimbursement with no markup by Contractor under the allowance item as included Bid Item No. 1J. When Uniformed Traffic Control (Bid Item 1J) is not available Flagger may be used under the allowance item included Bid Item No. 1K.
- h. Refer to Section 01025 – Measurement and Payment for a detailed description of the various items of the work. Lead service line replacements shall be the same price and payment for each and every lead service line replacement of that replacement item type.
- i. All Work shall be constructed in accordance with the Specifications and Construction Details in the appendices. If there are any conflicts between these technical specifications and construction details, specifically in the General Requirements of these appended documents, the Division 0 and Division 1 of these Specifications shall

govern. This project is different than the previous PW projects so review the specifications carefully.

3. General

- a. City of Providence, Rhode Island; State of Rhode Island; and Federal Government Rules, Regulations, Ordinances and Provisions apply to this Contract. Refer to Section 007300 Supplementary Conditions.
- b. Questions related to the City of Providence bidding process, MBE/WBE program and requirements, and technical questions should be submitted to the respective contacts as listed in the Request For Proposals included at the beginning of the Specifications.
- c. The work of this Contract is in part funded by the U.S. Environmental Protection Agency (EPA) Water Infrastructure Improvement for the Nation (WIIN) Act. Bidders shall comply with all requirements of the U.S. EPA WIIN Act and EPA's Disadvantaged Business Enterprise (DBE) Program. The EPA DBE Program requirement is 10% and no waiver will be granted. There is a City of Providence Women's Business Enterprise (WBE) and Minority Business Enterprise (MBE) goal is 10% MBE and 10% WBE with an overall 20% of the total bid value goal. A waiver request form can be filled out for the City of Providence WBE/MBE requirements.
- d. Bidders must meet the qualification requirements specified in the Instructions to Bidders, Article 2, Paragraph 2.2 for water service line replacements and installations. Bidders must submit qualifications information to demonstrate compliance using the forms provided in Section 00 45 13 – Bidder's Qualifications.
- e. Bids should be submitted in accordance with the City of Providence Request For Proposals included at the beginning of the Specifications and Section 00 21 13 – Instructions to Bidders.
- f. Bidders will be required to provide specified insurance certificates and performance and payment bonds for execution of the construction contract.
- g. All Applications for Payment shall be prepared and submitted by Contractors as specified in Section 01026 and shall be submitted monthly.
- h. Adequate workforce including subcontractors shall be provided to complete the work within the Contract schedule while maintaining minimum monthly quota of 80 completed service replacements per month.
- i. Refer to Section 01014 Construction Sequence and Schedule Requirements. No City of Providence Department of Public Works controlled roads can be opened after November 15th or before April 15th. Road work is permitted during winter months in Cranston as long as temporary road restoration requirements are followed. Private-

only replacements can be performed in both the City of Providence and the City of Cranston during the winter months.

- j. No partial replacements will be permitted and both the public and private side LSLs must be replaced at the same time.
- k. Work cannot be started on a property that requires a private-side replacement without obtaining a Right of Entry and Release form for Lead Service Line Replacement. These will be obtained throughout the project by CDM Smith. Contractor may collect the ROE forms and provide them to Providence Water for approval per Section 01014.
- l. All data will be tracked electronically and the Contractor will be required to record information on a daily basis in the construction data management system, leadCAST, and Kahua. The fields required to be recorded are listed in Section 01720 Paragraph 1.03.
- m. Two licenses will be provided for Kahua to the Contractor per Section 01300. Any additional licenses can be purchased by the Contractor.
- n. Pre-construction photos shall be provided for each property to document existing conditions per Section 01322. Post-construction photos shall be provided for each property and are required per Section 01322 to provide final visual evidence and a final record of final restoration.
- o. Contractor to obtain all necessary permits for proper execution of the project per Section 01170 Paragraph 1.07. The required permits per service are as follows:
 - i. Water Service Application
 - ii. Traffic Engineering Permit
 - iii. Road Opening (municipal and state) Permit
 - iv. Sidewalk Opening Permit
 - v. Street Closure Permit
 - vi. Plumbing Permit
- p. Record documents shall consist of pre- and post-construction photos, completed PW water service applications, electronic data per Section 01720.

4. Anticipated Schedule

- a. August 23, 2023 – Last addendum issued.

- b. August 28, 2023 – Bid opening at 2:15 PM at Board of Contract and Supply Meeting, City Council Chambers, 3rd Floor, Providence City Hall, 25 Dorrance Street, Providence, Rhode Island.
- c. By October 27, 2023 (within 60 days of bid opening) – Anticipated award and execution of contract(s).
- d. Contract time/duration is through July 19, 2024.

5. General Discussion and Questions

Reminder: Only questions answered by formal written Addenda are binding in accordance with the Section 00 21 13 – Instructions to Bidders of the Specifications. Oral and other clarifications or interpretations (including questions and verbal answers at this pre-bid conference meeting) are without legal effect. Questions received at this pre-bid conference meeting will be answered in a meeting report issued by formal written Addenda. In accordance with Section 00 21 13 – Instructions to Bidders, Article 5, all questions shall be submitted in writing at least ten days (by August 18, 2023) before the date set for the bid opening to: Megan Moody, CDM Smith Project Manager, moodymb@cdmsmith.com. Bidders are encouraged to submit any questions asked at the pre-bid conference meeting in writing to confirm that they are received. Bidders are solely responsible for verifying that their questions are received.

- 1. Question: Has the Providence DPW granted permission for sidewalk opening during the winter?
 - a. Answer: The November 15 to April 15 winter shutdown is for roads only. The City of Providence has given approval for sidewalk work provided that hot mix asphalt is available. Cold patch is not acceptable for sidewalks in Providence. Winter work will be dependent on availability of hot patch or properties that do not require sidewalk work.
- 2. Question: What is the approximate service count? The feasibility of obtaining ROEs may be difficult. Is there possibility for an extension? How many ROEs are in hand?
 - a. Answer: There are approximately 580 services in this contract. We are working on getting ROEs now. Contractors should plan for all locations as a part of the bid. Contractor is responsible for completing services for all ROEs. There is a possibility for an extension on a case by case basis if ROEs are not obtained by PW and CDM Smith. The ROEs will not be released before award.
- 3. Question: Will contact information be released right away?
 - a. Answer: Contact information will be given at time of award.

4. Question: Will homeowner response delays be grounds for extension?
 - a. Answer: Yes on a case by case basis if the contractor is documenting the required attempts at contacting the residents.
5. Question: How do you want contact attempts documented?
 - a. Answer: This will be in the data management system that the awarded Contractor will have access to.
6. Question: How many personnel are going to be put on ROEs before and during the contract to get enough ROEs for the project?
 - a. Answer: The Contractor should assume the ROEs will not interfere with the Contractor's schedule.
7. Question: Is it the Contractor's responsibility to sign up homeowners?
 - a. Answer: No, it is not the Contractor's responsibility to do community outreach, however some people may sign up last minute when the Contractor is in the area. The Contractor may obtain the ROE and Release Form for LSLR directly from the customer (Section 01014). The ROEs have to be entered into the data management system and verified by PW. A tenant cannot sign the ROE, only a homeowner. This program is voluntary, not mandatory.
8. Question: Do we know which roads will require permanent road restoration? Is the list of roads that require final restoration the full amount?
 - a. Answer: There is a bid item for permanent pavement restoration. Best estimates are in the bid form and this can be changed with change orders in the future. Appendix C has the roads that require final road restoration. Note, final sidewalk restoration is required for all sidewalks.
9. Question: Will permit fees be waived?
 - a. Answer: Fees will most likely not be waived. Bidders are to assume they will not be waved.

ATTACHMENT 2

**PROVIDENCE WATER
 ACCELERATED LEAD SERVICE LINE REPLACEMENT PROGRAM - CONTRACT 1.1
 PROJECT NO. 20234**

BID FORM

<u>ITEM NO.</u>	<u>ESTIMATED QUANTITY</u>	<u>BRIEF DESCRIPTION OF ITEMS WITH UNIT BID PRICE IN WORDS</u>	<u>UNIT BID PRICE IN FIGURES</u>	<u>AMOUNT IN FIGURES</u>
1A	9 each	Lead Service Line Replacement - Public Side Only (Water Main to Curb Stop) <hr/> each	<hr/> \$	<hr/> \$
1B	315 each	Lead Service Line Replacement - Public Side Portion of a Full Replacement (Water Main to Curb Stop) <hr/> each	<hr/> \$	<hr/> \$
1C	66 each	Test Pit at Curb Stop <hr/> each	<hr/> \$	<hr/> \$
1D	50 each	New Curb Box - (For Replacements Under Item 2A) <hr/> each	<hr/> \$	<hr/> \$
1E	190 each	Long Side Replacement <hr/> each	<hr/> \$	<hr/> \$
1F	525 CY	Lead Service Line Excavation Greater Than Five (5) Feet <hr/> per cubic yard	<hr/> \$	<hr/> \$
1G	60 SY	Final Trench Pavement Restoration (Infra-red) <hr/> per square yard	<hr/> \$	<hr/> \$
1H	120 SY	Final Trench Pavement Restoration (Milling and Paving) <hr/> per square yard	<hr/> \$	<hr/> \$

**PROVIDENCE WATER
 ACCELERATED LEAD SERVICE LINE REPLACEMENT PROGRAM - CONTRACT 1.1
 PROJECT NO. 20234**

BID FORM

<u>ITEM NO.</u>	<u>ESTIMATED QUANTITY</u>	<u>BRIEF DESCRIPTION OF ITEMS WITH UNIT BID PRICE IN WORDS</u>	<u>UNIT BID PRICE IN FIGURES</u>	<u>AMOUNT IN FIGURES</u>
1I	12,000 SY	Final Pavement (Curb-to-curb) _____ per square yard	\$ _____	\$ _____
1J	\$ 160,000.00 ALLOWANCE	Uniformed Police Traffic Control _____ One hundred and sixty thousand dollars and zero cents allowance	\$ 160,000.00	\$ 160,000.00
1K	\$ 70,000.00 ALLOWANCE	Flaggers for Traffic Control _____ Seventy thousand dollars and zero cents allowance	\$ 70,000.00	\$ 70,000.00
1L	\$ 25,000.00 ALLOWANCE	Utility Provisions _____ Twenty-five thousand dollars and zero cents allowance	\$ 25,000.00	\$ 25,000.00
2A	232 each	Lead Service Line Replacement - Private Side Only (Curb Stop to Meter) - _____ each	\$ _____	\$ _____
2B	310 each	Lead Service Line Replacement - Private Side Portion of a Full Replacement (Curb Stop to Meter) - _____ each	\$ _____	\$ _____
2C	50 each	Access Not Provided _____ each	\$ _____	\$ _____
2D	30 each	Reduced Pressure Zone (RPZ) Backflow Preventer _____ each	\$ _____	\$ _____

**PROVIDENCE WATER
 ACCELERATED LEAD SERVICE LINE REPLACEMENT PROGRAM - CONTRACT 1.1
 PROJECT NO. 20234**

BID FORM

<u>ITEM NO.</u>	<u>ESTIMATED QUANTITY</u>	<u>BRIEF DESCRIPTION OF ITEMS WITH UNIT BID PRICE IN WORDS</u>	<u>UNIT BID PRICE IN FIGURES</u>	<u>AMOUNT IN FIGURES</u>
3A	9 each	Lead Service Line Replacement - Commercial - Private Side Only (Water Main to Curb Stop)	\$	\$
		_____	_____	_____
		each		
3B	6 each	Lead Service Line Replacement - Commercial - Private Side Portion of a Full Replacement (Water Main to Curb Stop)	\$	\$
		_____	_____	_____
		each		
TOTAL BASE BID PRICE IN WORDS (Items 1A-3B)			_____	_____
TOTAL BASE BID PRICE IN FIGURES (Items 1A-3B)			_____	_____

**PROVIDENCE WATER
 ACCELERATED LEAD SERVICE LINE REPLACEMENT PROGRAM - CONTRACT 1.1
 PROJECT NO. 20234**

BID FORM

<u>ITEM NO.</u>	<u>ESTIMATED QUANTITY</u>	<u>BRIEF DESCRIPTION OF ITEMS WITH UNIT BID PRICE IN WORDS</u>	<u>UNIT BID PRICE IN FIGURES</u>	<u>AMOUNT IN FIGURES</u>
S-1A	400 CY	Imported Common Fill _____ per cubic yard	\$ _____	\$ _____
S-1B	40 CY	Crushed Stone _____ per cubic yard	\$ _____	\$ _____
S-1C	10 CY	Flowable Fill _____ per cubic yard	\$ _____	\$ _____
S-2	40 CY	Miscellaneous Concrete _____ per cubic yard	\$ _____	\$ _____
S-3	\$ 600,000.00 ALLOWANCE	Miscellaneous Work at Direction of the Owner _____ Six hundred thousand dolalrs and zero cents allowance	_____	\$ 600,000.00
TOTAL SUPPLEMENTAL PRICE IN WORDS (S-1A through S-3)			_____	
TOTAL SUPPLEMENTAL PRICE IN FIGURES (S-1A through S-3)			_____	

**PROVIDENCE WATER
ACCELERATED LEAD SERVICE LINE REPLACEMENT PROGRAM - CONTRACT 1.1
PROJECT NO. 20234**

BID FORM

<u>ITEM NO.</u>	<u>ESTIMATED QUANTITY</u>	<u>BRIEF DESCRIPTION OF ITEMS WITH UNIT BID PRICE IN WORDS</u>	<u>UNIT BID PRICE IN FIGURES</u>	<u>AMOUNT IN FIGURES</u>
TOTAL BASE BID PRICE PLUS SUPPLEMENTAL PRICE IN WORDS			<hr/>	
TOTAL BASE BID PRICE PLUS SUPPLEMENTAL PRICE IN FIGURES			<hr/>	

ATTACHMENT 3

This document has important legal consequences; consultation with an attorney is encouraged with respect to its use or modification. This document should be adapted to the particular circumstances of the contemplated Project and the controlling Laws and Regulations.

STANDARD GENERAL CONDITIONS OF THE CONSTRUCTION CONTRACT

Prepared By



Endorsed By



Copyright© 2018

National Society of Professional Engineers
1420 King Street, Alexandria, VA 22314-2794
(703) 684-2882
www.nspe.org

American Council of Engineering Companies
1015 15th Street N.W., Washington, DC 20005
(202) 347-7474
www.acec.org

American Society of Civil Engineers
1801 Alexander Bell Drive, Reston, VA 20191-4400
(800) 548-2723
www.asce.org

The copyright for this EJCDC document is owned jointly by the three sponsoring organizations listed above. The National Society of Professional Engineers is the Copyright Administrator for the EJCDC documents; please direct all inquiries regarding EJCDC copyrights to NSPE.

NOTE: EJCDC publications may be purchased at www.ejcdc.org, or from any of the sponsoring organizations above.

GUIDELINES FOR USE OF EJCDC® C-700, STANDARD GENERAL CONDITIONS OF THE CONSTRUCTION CONTRACT

1.0 PURPOSE AND INTENDED USE OF THE DOCUMENT

EJCDC® C-700, Standard General Conditions of the Construction Contract (2018), is the foundation document for the EJCDC Construction Series. The General Conditions define the basic rights, responsibilities, risk allocations, and contractual relationship of the Owner and Contractor, and establish how the Contract is to be administered.

2.0 OTHER DOCUMENTS

EJCDC documents are intended to be used as a system and changes in one EJCDC document may require a corresponding change in other documents. Other EJCDC documents may also serve as a reference to provide insight or guidance for the preparation of this document.

These General Conditions have been prepared for use with either EJCDC® C-520, Agreement Between Owner and Contractor for Construction Contract (Stipulated Price), or EJCDC® C-525, Agreement Between Owner and Contractor for Construction Contract (Cost-Plus-Fee) (2018 Editions). The provisions of the General Conditions and the Agreement are interrelated, and a change in one may necessitate a change in the other.

To prepare supplementary conditions that are coordinated with the General Conditions, use EJCDC® C-800, Supplementary Conditions of the Construction Contract (2018).

The full EJCDC Construction series of documents is discussed in the EJCDC® C-001, Commentary on the 2018 EJCDC Construction Documents (2018).

3.0 ORGANIZATION OF INFORMATION

All parties involved in a construction project benefit significantly from a standardized approach in the location of subject matter throughout the documents. Experience confirms the danger of addressing the same subject matter in more than one location; doing so frequently leads to confusion and unanticipated legal consequences. Careful attention should be given to the guidance provided in EJCDC® N-122/AIA® A521, Uniform Location of Subject Matter (2012 Edition) when preparing documents. EJCDC® N-122/AIA® A521 is available at no charge from the EJCDC website, www.ejcdc.org, and from the websites of EJCDC's sponsoring organizations.

If CSI MasterFormat™ is used for organizing the Project Manual, consult CSI MasterFormat™ for the appropriate document number (e.g., under 00 11 00, Advertisements and Invitations), and accordingly number the document and its pages.

4.0 EDITING THIS DOCUMENT

Remove these Guidelines for Use. Some users may also prefer to remove the two cover pages.

Although it is permissible to revise the Standard EJCDC Text of C-700 (the content beginning at page 1 and continuing to the end), it is common practice to leave the Standard EJCDC Text of C-700 intact and unaltered, with modifications and supplementation of C-700's provisions set forth in EJCDC® C-800, Supplementary Conditions of the Construction Contract (2018). If the Standard Text itself is revised, the

user must comply with the terms of the License Agreement, Paragraph 4.0, Document-Specific Provisions, concerning the tracking or highlighting of revisions. The following is a summary of the relevant License Agreement provisions:

1. The term “Standard EJCDC Text” for C-700 refers to all text prepared by EJCDC in the main body of the document. Document covers, logos, footers, instructions, or copyright notices are not Standard EJCDC Text for this purpose.
2. During the drafting or negotiating process for C-700, it is important that the two contracting parties are both aware of any changes that have been made to the Standard EJCDC Text. Thus, if a draft or version of C-700 purports to be or appears to be an EJCDC document, the user must plainly show all changes to the Standard EJCDC Text, using “Track Changes” (redline/strikeout), highlighting, or other means of clearly indicating additions and deletions.
3. If C-700 has been revised or altered and is subsequently presented to third parties (such as potential bidders, grant agencies, lenders, or sureties) as an EJCDC document, then the changes to the Standard EJCDC Text must be shown, or the third parties must receive access to a version that shows the changes.
4. Once the document is ready to be finalized (and if applicable executed by the contracting parties), it is no longer necessary to continue to show changes to the Standard EJCDC Text. The user may produce a final version of the document in a format in which all changes are accepted, and the document at that point does not need to include any “Track Changes,” redline/strikeout, highlighting, or other indication of additions and deletions to the Standard EJCDC Text.

5.0 LICENSE AGREEMENT

This document is subject to the terms and conditions of the **License Agreement, 2018 EJCDC® Construction Series Documents**. A copy of the License Agreement was furnished at the time of purchase of this document, and is available for review at www.ejcdc.org and the websites of EJCDC’s sponsoring organizations.

STANDARD GENERAL CONDITIONS OF THE CONSTRUCTION CONTRACT

TABLE OF CONTENTS

	Page
Article 1—Definitions and Terminology.....	1
1.01 Defined Terms.....	1
1.02 Terminology	6
Article 2—Preliminary Matters.....	7
2.01 Delivery of Performance and Payment Bonds; Evidence of Insurance.....	7
2.02 Copies of Documents	7
2.03 Before Starting Construction	7
2.04 Preconstruction Conference; Designation of Authorized Representatives.....	8
2.05 Acceptance of Schedules	8
2.06 Electronic Transmittals	8
Article 3—Contract Documents: Intent, Requirements, Reuse.....	9
3.01 Intent.....	9
3.02 Reference Standards.....	9
3.03 Reporting and Resolving Discrepancies	10
3.04 Requirements of the Contract Documents.....	10
3.05 Reuse of Documents	11
Article 4—Commencement and Progress of the Work	11
4.01 Commencement of Contract Times; Notice to Proceed.....	11
4.02 Starting the Work.....	11
4.03 Reference Points	11
4.04 Progress Schedule.....	12
4.05 Delays in Contractor’s Progress	12
Article 5—Site; Subsurface and Physical Conditions; Hazardous Environmental Conditions	13
5.01 Availability of Lands	13
5.02 Use of Site and Other Areas.....	14
5.03 Subsurface and Physical Conditions.....	15
5.04 Differing Subsurface or Physical Conditions	16

5.05	Underground Facilities	17
5.06	Hazardous Environmental Conditions at Site	19
Article 6—Bonds and Insurance.....		21
6.01	Performance, Payment, and Other Bonds.....	21
6.02	Insurance—General Provisions.....	22
6.03	Contractor’s Insurance.....	24
6.04	Builder’s Risk and Other Property Insurance.....	25
6.05	Property Losses; Subrogation	25
6.06	Receipt and Application of Property Insurance Proceeds	27
Article 7—Contractor’s Responsibilities		27
7.01	Contractor’s Means and Methods of Construction	27
7.02	Supervision and Superintendence	27
7.03	Labor; Working Hours	27
7.04	Services, Materials, and Equipment	28
7.05	“Or Equals”.....	28
7.06	Substitutes	29
7.07	Concerning Subcontractors and Suppliers.....	31
7.08	Patent Fees and Royalties.....	32
7.09	Permits	33
7.10	Taxes	33
7.11	Laws and Regulations.....	33
7.12	Record Documents.....	33
7.13	Safety and Protection	34
7.14	Hazard Communication Programs	35
7.15	Emergencies.....	35
7.16	Submittals	35
7.17	Contractor’s General Warranty and Guarantee	38
7.18	Indemnification	39
7.19	Delegation of Professional Design Services	39
Article 8—Other Work at the Site.....		40
8.01	Other Work	40
8.02	Coordination	41
8.03	Legal Relationships.....	41

Article 9—Owner’s Responsibilities	42
9.01 Communications to Contractor	42
9.02 Replacement of Engineer	42
9.03 Furnish Data	42
9.04 Pay When Due.....	42
9.05 Lands and Easements; Reports, Tests, and Drawings.....	43
9.06 Insurance.....	43
9.07 Change Orders	43
9.08 Inspections, Tests, and Approvals.....	43
9.09 Limitations on Owner’s Responsibilities	43
9.10 Undisclosed Hazardous Environmental Condition.....	43
9.11 Evidence of Financial Arrangements.....	43
9.12 Safety Programs	43
Article 10—Engineer’s Status During Construction	44
10.01 Owner’s Representative.....	44
10.02 Visits to Site.....	44
10.03 Resident Project Representative.....	44
10.04 Engineer’s Authority	44
10.05 Determinations for Unit Price Work	45
10.06 Decisions on Requirements of Contract Documents and Acceptability of Work	45
10.07 Limitations on Engineer’s Authority and Responsibilities	45
10.08 Compliance with Safety Program.....	45
Article 11—Changes to the Contract	46
11.01 Amending and Supplementing the Contract	46
11.02 Change Orders	46
11.03 Work Change Directives.....	46
11.04 Field Orders.....	47
11.05 Owner-Authorized Changes in the Work.....	47
11.06 Unauthorized Changes in the Work.....	47
11.07 Change of Contract Price	47
11.08 Change of Contract Times.....	49
11.09 Change Proposals.....	49
11.10 Notification to Surety.....	50

Article 12—Claims.....	50
12.01 Claims.....	50
Article 13—Cost of the Work; Allowances; Unit Price Work	51
13.01 Cost of the Work.....	51
13.02 Allowances	55
13.03 Unit Price Work.....	55
Article 14—Tests and Inspections; Correction, Removal, or Acceptance of Defective Work	56
14.01 Access to Work.....	56
14.02 Tests, Inspections, and Approvals.....	56
14.03 Defective Work	57
14.04 Acceptance of Defective Work.....	58
14.05 Uncovering Work	58
14.06 Owner May Stop the Work	58
14.07 Owner May Correct Defective Work.....	59
Article 15—Payments to Contractor; Set-Offs; Completion; Correction Period	59
15.01 Progress Payments.....	59
15.02 Contractor’s Warranty of Title	62
15.03 Substantial Completion.....	62
15.04 Partial Use or Occupancy	63
15.05 Final Inspection	64
15.06 Final Payment.....	64
15.07 Waiver of Claims	65
15.08 Correction Period	66
Article 16—Suspension of Work and Termination	67
16.01 Owner May Suspend Work	67
16.02 Owner May Terminate for Cause.....	67
16.03 Owner May Terminate for Convenience.....	68
16.04 Contractor May Stop Work or Terminate	68
Article 17—Final Resolution of Disputes	69
17.01 Methods and Procedures.....	69
Article 18—Miscellaneous	69
18.01 Giving Notice	69
18.02 Computation of Times.....	69

18.03 Cumulative Remedies 70
18.04 Limitation of Damages 70
18.05 No Waiver 70
18.06 Survival of Obligations 70
18.07 Controlling Law 70
18.08 Assignment of Contract..... 70
18.09 Successors and Assigns 70
18.10 Headings..... 70

STANDARD GENERAL CONDITIONS OF THE CONSTRUCTION CONTRACT

ARTICLE 1—DEFINITIONS AND TERMINOLOGY

1.01 *Defined Terms*

- A. Wherever used in the Bidding Requirements or Contract Documents, a term printed with initial capital letters, including the term's singular and plural forms, will have the meaning indicated in the definitions below. In addition to terms specifically defined, terms with initial capital letters in the Contract Documents include references to identified articles and paragraphs, and the titles of other documents or forms.
1. *Addenda*—Written or graphic instruments issued prior to the opening of Bids which clarify, correct, or change the Bidding Requirements or the proposed Contract Documents.
 2. *Agreement*—The written instrument, executed by Owner and Contractor, that sets forth the Contract Price and Contract Times, identifies the parties and the Engineer, and designates the specific items that are Contract Documents.
 3. *Application for Payment*—The document prepared by Contractor, in a form acceptable to Engineer, to request progress or final payments, and which is to be accompanied by such supporting documentation as is required by the Contract Documents.
 4. *Bid*—The offer of a Bidder submitted on the prescribed form setting forth the prices for the Work to be performed.
 5. *Bidder*—An individual or entity that submits a Bid to Owner.
 6. *Bidding Documents*—The Bidding Requirements, the proposed Contract Documents, and all Addenda.
 7. *Bidding Requirements*—The Advertisement or invitation to bid, Instructions to Bidders, Bid Bond or other Bid security, if any, the Bid Form, and the Bid with any attachments.
 8. *Change Order*—A document which is signed by Contractor and Owner and authorizes an addition, deletion, or revision in the Work or an adjustment in the Contract Price or the Contract Times, or other revision to the Contract, issued on or after the Effective Date of the Contract.
 9. *Change Proposal*—A written request by Contractor, duly submitted in compliance with the procedural requirements set forth herein, seeking an adjustment in Contract Price or Contract Times; contesting an initial decision by Engineer concerning the requirements of the Contract Documents or the acceptability of Work under the Contract Documents; challenging a set-off against payments due; or seeking other relief with respect to the terms of the Contract.
 10. *Claim*
 - a. A demand or assertion by Owner directly to Contractor, duly submitted in compliance with the procedural requirements set forth herein, seeking an adjustment of Contract Price or Contract Times; contesting an initial decision by Engineer concerning the

- requirements of the Contract Documents or the acceptability of Work under the Contract Documents; contesting Engineer's decision regarding a Change Proposal; seeking resolution of a contractual issue that Engineer has declined to address; or seeking other relief with respect to the terms of the Contract.
- b. A demand or assertion by Contractor directly to Owner, duly submitted in compliance with the procedural requirements set forth herein, contesting Engineer's decision regarding a Change Proposal, or seeking resolution of a contractual issue that Engineer has declined to address.
 - c. A demand or assertion by Owner or Contractor, duly submitted in compliance with the procedural requirements set forth herein, made pursuant to Paragraph 12.01.A.4, concerning disputes arising after Engineer has issued a recommendation of final payment.
 - d. A demand for money or services by a third party is not a Claim.
11. *Constituent of Concern*—Asbestos, petroleum, radioactive materials, polychlorinated biphenyls (PCBs), lead-based paint (as defined by the HUD/EPA standard), hazardous waste, and any substance, product, waste, or other material of any nature whatsoever that is or becomes listed, regulated, or addressed pursuant to Laws and Regulations regulating, relating to, or imposing liability or standards of conduct concerning, any hazardous, toxic, or dangerous waste, substance, or material.
 12. *Contract*—The entire and integrated written contract between Owner and Contractor concerning the Work.
 13. *Contract Documents*—Those items so designated in the Agreement, and which together comprise the Contract.
 14. *Contract Price*—The money that Owner has agreed to pay Contractor for completion of the Work in accordance with the Contract Documents.
 15. *Contract Times*—The number of days or the dates by which Contractor shall: (a) achieve Milestones, if any; (b) achieve Substantial Completion; and (c) complete the Work.
 16. *Contractor*—The individual or entity with which Owner has contracted for performance of the Work.
 17. *Cost of the Work*—See Paragraph 13.01 for definition.
 18. *Drawings*—The part of the Contract that graphically shows the scope, extent, and character of the Work to be performed by Contractor.
 19. *Effective Date of the Contract*—The date, indicated in the Agreement, on which the Contract becomes effective.
 20. *Electronic Document*—Any Project-related correspondence, attachments to correspondence, data, documents, drawings, information, or graphics, including but not limited to Shop Drawings and other Submittals, that are in an electronic or digital format.
 21. *Electronic Means*—Electronic mail (email), upload/download from a secure Project website, or other communications methods that allow: (a) the transmission or communication of Electronic Documents; (b) the documentation of transmissions, including sending and receipt; (c) printing of the transmitted Electronic Document by the

recipient; (d) the storage and archiving of the Electronic Document by sender and recipient; and (e) the use by recipient of the Electronic Document for purposes permitted by this Contract. Electronic Means does not include the use of text messaging, or of Facebook, Twitter, Instagram, or similar social media services for transmission of Electronic Documents.

22. *Engineer*—The individual or entity named as such in the Agreement.
23. *Field Order*—A written order issued by Engineer which requires minor changes in the Work but does not change the Contract Price or the Contract Times.
24. *Hazardous Environmental Condition*—The presence at the Site of Constituents of Concern in such quantities or circumstances that may present a danger to persons or property exposed thereto.
 - a. The presence at the Site of materials that are necessary for the execution of the Work, or that are to be incorporated into the Work, and that are controlled and contained pursuant to industry practices, Laws and Regulations, and the requirements of the Contract, is not a Hazardous Environmental Condition.
 - b. The presence of Constituents of Concern that are to be removed or remediated as part of the Work is not a Hazardous Environmental Condition.
 - c. The presence of Constituents of Concern as part of the routine, anticipated, and obvious working conditions at the Site, is not a Hazardous Environmental Condition.
25. *Laws and Regulations; Laws or Regulations*—Any and all applicable laws, statutes, rules, regulations, ordinances, codes, and binding decrees, resolutions, and orders of any and all governmental bodies, agencies, authorities, and courts having jurisdiction.
26. *Liens*—Charges, security interests, or encumbrances upon Contract-related funds, real property, or personal property.
27. *Milestone*—A principal event in the performance of the Work that the Contract requires Contractor to achieve by an intermediate completion date, or by a time prior to Substantial Completion of all the Work.
28. *Notice of Award*—The written notice by Owner to a Bidder of Owner's acceptance of the Bid.
29. *Notice to Proceed*—A written notice by Owner to Contractor fixing the date on which the Contract Times will commence to run and on which Contractor shall start to perform the Work.
30. *Owner*—The individual or entity with which Contractor has contracted regarding the Work, and which has agreed to pay Contractor for the performance of the Work, pursuant to the terms of the Contract.
31. *Progress Schedule*—A schedule, prepared and maintained by Contractor, describing the sequence and duration of the activities comprising Contractor's plan to accomplish the Work within the Contract Times.
32. *Project*—The total undertaking to be accomplished for Owner by engineers, contractors, and others, including planning, study, design, construction, testing, commissioning, and start-up, and of which the Work to be performed under the Contract Documents is a part.

33. *Resident Project Representative*—The authorized representative of Engineer assigned to assist Engineer at the Site. As used herein, the term Resident Project Representative (RPR) includes any assistants or field staff of Resident Project Representative.
34. *Samples*—Physical examples of materials, equipment, or workmanship that are representative of some portion of the Work and that establish the standards by which such portion of the Work will be judged.
35. *Schedule of Submittals*—A schedule, prepared and maintained by Contractor, of required submittals and the time requirements for Engineer’s review of the submittals.
36. *Schedule of Values*—A schedule, prepared and maintained by Contractor, allocating portions of the Contract Price to various portions of the Work and used as the basis for reviewing Contractor’s Applications for Payment.
37. *Shop Drawings*—All drawings, diagrams, illustrations, schedules, and other data or information that are specifically prepared or assembled by or for Contractor and submitted by Contractor to illustrate some portion of the Work. Shop Drawings, whether approved or not, are not Drawings and are not Contract Documents.
38. *Site*—Lands or areas indicated in the Contract Documents as being furnished by Owner upon which the Work is to be performed, including rights-of-way and easements, and such other lands or areas furnished by Owner which are designated for the use of Contractor.
39. *Specifications*—The part of the Contract that consists of written requirements for materials, equipment, systems, standards, and workmanship as applied to the Work, and certain administrative requirements and procedural matters applicable to the Work.
40. *Subcontractor*—An individual or entity having a direct contract with Contractor or with any other Subcontractor for the performance of a part of the Work.
41. *Submittal*—A written or graphic document, prepared by or for Contractor, which the Contract Documents require Contractor to submit to Engineer, or that is indicated as a Submittal in the Schedule of Submittals accepted by Engineer. Submittals may include Shop Drawings and Samples; schedules; product data; Owner-delegated designs; sustainable design information; information on special procedures; testing plans; results of tests and evaluations, source quality-control testing and inspections, and field or Site quality-control testing and inspections; warranties and certifications; Suppliers’ instructions and reports; records of delivery of spare parts and tools; operations and maintenance data; Project photographic documentation; record documents; and other such documents required by the Contract Documents. Submittals, whether or not approved or accepted by Engineer, are not Contract Documents. Change Proposals, Change Orders, Claims, notices, Applications for Payment, and requests for interpretation or clarification are not Submittals.
42. *Substantial Completion*—The time at which the Work (or a specified part thereof) has progressed to the point where, in the opinion of Engineer, the Work (or a specified part thereof) is sufficiently complete, in accordance with the Contract Documents, so that the Work (or a specified part thereof) can be utilized for the purposes for which it is intended. The terms “substantially complete” and “substantially completed” as applied to all or part of the Work refer to Substantial Completion of such Work.

43. *Successful Bidder*—The Bidder to which the Owner makes an award of contract.
44. *Supplementary Conditions*—The part of the Contract that amends or supplements these General Conditions.
45. *Supplier*—A manufacturer, fabricator, supplier, distributor, or vendor having a direct contract with Contractor or with any Subcontractor to furnish materials or equipment to be incorporated in the Work by Contractor or a Subcontractor.
46. *Technical Data*
- a. Those items expressly identified as Technical Data in the Supplementary Conditions, with respect to either (1) existing subsurface conditions at or adjacent to the Site, or existing physical conditions at or adjacent to the Site including existing surface or subsurface structures (except Underground Facilities) or (2) Hazardous Environmental Conditions at the Site.
 - b. If no such express identifications of Technical Data have been made with respect to conditions at the Site, then Technical Data is defined, with respect to conditions at the Site under Paragraphs 5.03, 5.04, and 5.06, as the data contained in boring logs, recorded measurements of subsurface water levels, assessments of the condition of subsurface facilities, laboratory test results, and other factual, objective information regarding conditions at the Site that are set forth in any geotechnical, environmental, or other Site or facilities conditions report prepared for the Project and made available to Contractor.
 - c. Information and data regarding the presence or location of Underground Facilities are not intended to be categorized, identified, or defined as Technical Data, and instead Underground Facilities are shown or indicated on the Drawings.
47. *Underground Facilities*—All active or not-in-service underground lines, pipelines, conduits, ducts, encasements, cables, wires, manholes, vaults, tanks, tunnels, or other such facilities or systems at the Site, including but not limited to those facilities or systems that produce, transmit, distribute, or convey telephone or other communications, cable television, fiber optic transmissions, power, electricity, light, heat, gases, oil, crude oil products, liquid petroleum products, water, steam, waste, wastewater, storm water, other liquids or chemicals, or traffic or other control systems. An abandoned facility or system is not an Underground Facility.
48. *Unit Price Work*—Work to be paid for on the basis of unit prices.
49. *Work*—The entire construction or the various separately identifiable parts thereof required to be provided under the Contract Documents. Work includes and is the result of performing or providing all labor, services, and documentation necessary to produce such construction; furnishing, installing, and incorporating all materials and equipment into such construction; and may include related services such as testing, start-up, and commissioning, all as required by the Contract Documents.
50. *Work Change Directive*—A written directive to Contractor issued on or after the Effective Date of the Contract, signed by Owner and recommended by Engineer, ordering an addition, deletion, or revision in the Work.

1.02 Terminology

- A. The words and terms discussed in Paragraphs 1.02.B, C, D, and E are not defined terms that require initial capital letters, but, when used in the Bidding Requirements or Contract Documents, have the indicated meaning.
- B. *Intent of Certain Terms or Adjectives:* The Contract Documents include the terms “as allowed,” “as approved,” “as ordered,” “as directed” or terms of like effect or import to authorize an exercise of professional judgment by Engineer. In addition, the adjectives “reasonable,” “suitable,” “acceptable,” “proper,” “satisfactory,” or adjectives of like effect or import are used to describe an action or determination of Engineer as to the Work. It is intended that such exercise of professional judgment, action, or determination will be solely to evaluate, in general, the Work for compliance with the information in the Contract Documents and with the design concept of the Project as a functioning whole as shown or indicated in the Contract Documents (unless there is a specific statement indicating otherwise). The use of any such term or adjective is not intended to and shall not be effective to assign to Engineer any duty or authority to supervise or direct the performance of the Work, or any duty or authority to undertake responsibility contrary to the provisions of Article 10 or any other provision of the Contract Documents.
- C. *Day:* The word “day” means a calendar day of 24 hours measured from midnight to the next midnight.
- D. *Defective:* The word “defective,” when modifying the word “Work,” refers to Work that is unsatisfactory, faulty, or deficient in that it:
 - 1. does not conform to the Contract Documents;
 - 2. does not meet the requirements of any applicable inspection, reference standard, test, or approval referred to in the Contract Documents; or
 - 3. has been damaged prior to Engineer’s recommendation of final payment (unless responsibility for the protection thereof has been assumed by Owner at Substantial Completion in accordance with Paragraph 15.03 or Paragraph 15.04).
- E. *Furnish, Install, Perform, Provide*
 - 1. The word “furnish,” when used in connection with services, materials, or equipment, means to supply and deliver said services, materials, or equipment to the Site (or some other specified location) ready for use or installation and in usable or operable condition.
 - 2. The word “install,” when used in connection with services, materials, or equipment, means to put into use or place in final position said services, materials, or equipment complete and ready for intended use.
 - 3. The words “perform” or “provide,” when used in connection with services, materials, or equipment, means to furnish and install said services, materials, or equipment complete and ready for intended use.
 - 4. If the Contract Documents establish an obligation of Contractor with respect to specific services, materials, or equipment, but do not expressly use any of the four words “furnish,” “install,” “perform,” or “provide,” then Contractor shall furnish and install said services, materials, or equipment complete and ready for intended use.

- F. *Contract Price or Contract Times*: References to a change in “Contract Price or Contract Times” or “Contract Times or Contract Price” or similar, indicate that such change applies to (1) Contract Price, (2) Contract Times, or (3) both Contract Price and Contract Times, as warranted, even if the term “or both” is not expressed.
- G. Unless stated otherwise in the Contract Documents, words or phrases that have a well-known technical or construction industry or trade meaning are used in the Contract Documents in accordance with such recognized meaning.

ARTICLE 2—PRELIMINARY MATTERS

2.01 *Delivery of Performance and Payment Bonds; Evidence of Insurance*

- A. *Performance and Payment Bonds*: When Contractor delivers the signed counterparts of the Agreement to Owner, Contractor shall also deliver to Owner the performance bond and payment bond (if the Contract requires Contractor to furnish such bonds).
- B. *Evidence of Contractor’s Insurance*: When Contractor delivers the signed counterparts of the Agreement to Owner, Contractor shall also deliver to Owner, with copies to each additional insured (as identified in the Contract), the certificates, endorsements, and other evidence of insurance required to be provided by Contractor in accordance with Article 6, except to the extent the Supplementary Conditions expressly establish other dates for delivery of specific insurance policies.
- C. *Evidence of Owner’s Insurance*: After receipt of the signed counterparts of the Agreement and all required bonds and insurance documentation, Owner shall promptly deliver to Contractor, with copies to each additional insured (as identified in the Contract), the certificates and other evidence of insurance required to be provided by Owner under Article 6.

2.02 *Copies of Documents*

- A. Owner shall furnish to Contractor four printed copies of the Contract (including one fully signed counterpart of the Agreement), and one copy in electronic portable document format (PDF). Additional printed copies will be furnished upon request at the cost of reproduction.
- B. Owner shall maintain and safeguard at least one original printed record version of the Contract, including Drawings and Specifications signed and sealed by Engineer and other design professionals. Owner shall make such original printed record version of the Contract available to Contractor for review. Owner may delegate the responsibilities under this provision to Engineer.

2.03 *Before Starting Construction*

- A. *Preliminary Schedules*: Within 10 days after the Effective Date of the Contract (or as otherwise required by the Contract Documents), Contractor shall submit to Engineer for timely review:
 - 1. a preliminary Progress Schedule indicating the times (numbers of days or dates) for starting and completing the various stages of the Work, including any Milestones specified in the Contract;
 - 2. a preliminary Schedule of Submittals; and
 - 3. a preliminary Schedule of Values for all of the Work which includes quantities and prices of items which when added together equal the Contract Price and subdivides the Work

into component parts in sufficient detail to serve as the basis for progress payments during performance of the Work. Such prices will include an appropriate amount of overhead and profit applicable to each item of Work.

2.04 *Preconstruction Conference; Designation of Authorized Representatives*

- A. Before any Work at the Site is started, a conference attended by Owner, Contractor, Engineer, and others as appropriate will be held to establish a working understanding among the parties as to the Work, and to discuss the schedules referred to in Paragraph 2.03.A, procedures for handling Shop Drawings, Samples, and other Submittals, processing Applications for Payment, electronic or digital transmittals, and maintaining required records.
- B. At this conference Owner and Contractor each shall designate, in writing, a specific individual to act as its authorized representative with respect to the services and responsibilities under the Contract. Such individuals shall have the authority to transmit and receive information, render decisions relative to the Contract, and otherwise act on behalf of each respective party.

2.05 *Acceptance of Schedules*

- A. At least 10 days before submission of the first Application for Payment a conference, attended by Contractor, Engineer, and others as appropriate, will be held to review the schedules submitted in accordance with Paragraph 2.03.A. No progress payment will be made to Contractor until acceptable schedules are submitted to Engineer.
 - 1. The Progress Schedule will be acceptable to Engineer if it provides an orderly progression of the Work to completion within the Contract Times. Such acceptance will not impose on Engineer responsibility for the Progress Schedule, for sequencing, scheduling, or progress of the Work, nor interfere with or relieve Contractor from Contractor's full responsibility therefor.
 - 2. Contractor's Schedule of Submittals will be acceptable to Engineer if it provides a workable arrangement for reviewing and processing the required submittals.
 - 3. Contractor's Schedule of Values will be acceptable to Engineer as to form and substance if it provides a reasonable allocation of the Contract Price to the component parts of the Work.
 - 4. If a schedule is not acceptable, Contractor will have an additional 10 days to revise and resubmit the schedule.

2.06 *Electronic Transmittals*

- A. Except as otherwise stated elsewhere in the Contract, the Owner, Engineer, and Contractor may send, and shall accept, Electronic Documents transmitted by Electronic Means.
- B. If the Contract does not establish protocols for Electronic Means, then Owner, Engineer, and Contractor shall jointly develop such protocols.
- C. Subject to any governing protocols for Electronic Means, when transmitting Electronic Documents by Electronic Means, the transmitting party makes no representations as to long-term compatibility, usability, or readability of the Electronic Documents resulting from the recipient's use of software application packages, operating systems, or computer hardware differing from those used in the drafting or transmittal of the Electronic Documents.

ARTICLE 3—CONTRACT DOCUMENTS: INTENT, REQUIREMENTS, REUSE

3.01 *Intent*

- A. The Contract Documents are complementary; what is required by one Contract Document is as binding as if required by all.
- B. It is the intent of the Contract Documents to describe a functionally complete Project (or part thereof) to be constructed in accordance with the Contract Documents.
- C. Unless otherwise stated in the Contract Documents, if there is a discrepancy between the electronic versions of the Contract Documents (including any printed copies derived from such electronic versions) and the printed record version, the printed record version will govern.
- D. The Contract supersedes prior negotiations, representations, and agreements, whether written or oral.
- E. Engineer will issue clarifications and interpretations of the Contract Documents as provided herein.
- F. Any provision or part of the Contract Documents held to be void or unenforceable under any Law or Regulation will be deemed stricken, and all remaining provisions will continue to be valid and binding upon Owner and Contractor, which agree that the Contract Documents will be reformed to replace such stricken provision or part thereof with a valid and enforceable provision that comes as close as possible to expressing the intention of the stricken provision.
- G. Nothing in the Contract Documents creates:
 - 1. any contractual relationship between Owner or Engineer and any Subcontractor, Supplier, or other individual or entity performing or furnishing any of the Work, for the benefit of such Subcontractor, Supplier, or other individual or entity; or
 - 2. any obligation on the part of Owner or Engineer to pay or to see to the payment of any money due any such Subcontractor, Supplier, or other individual or entity, except as may otherwise be required by Laws and Regulations.

3.02 *Reference Standards*

- A. *Standards Specifications, Codes, Laws and Regulations*
 - 1. Reference in the Contract Documents to standard specifications, manuals, reference standards, or codes of any technical society, organization, or association, or to Laws or Regulations, whether such reference be specific or by implication, means the standard specification, manual, reference standard, code, or Laws or Regulations in effect at the time of opening of Bids (or on the Effective Date of the Contract if there were no Bids), except as may be otherwise specifically stated in the Contract Documents.
 - 2. No provision of any such standard specification, manual, reference standard, or code, and no instruction of a Supplier, will be effective to change the duties or responsibilities of Owner, Contractor, or Engineer from those set forth in the part of the Contract Documents prepared by or for Engineer. No such provision or instruction shall be effective to assign to Owner or Engineer any duty or authority to supervise or direct the performance of the Work, or any duty or authority to undertake responsibility

inconsistent with the provisions of the part of the Contract Documents prepared by or for Engineer.

3.03 *Reporting and Resolving Discrepancies*

A. *Reporting Discrepancies*

1. *Contractor's Verification of Figures and Field Measurements:* Before undertaking each part of the Work, Contractor shall carefully study the Contract Documents, and check and verify pertinent figures and dimensions therein, particularly with respect to applicable field measurements. Contractor shall promptly report in writing to Engineer any conflict, error, ambiguity, or discrepancy that Contractor discovers, or has actual knowledge of, and shall not proceed with any Work affected thereby until the conflict, error, ambiguity, or discrepancy is resolved by a clarification or interpretation by Engineer, or by an amendment or supplement to the Contract issued pursuant to Paragraph 11.01.
2. *Contractor's Review of Contract Documents:* If, before or during the performance of the Work, Contractor discovers any conflict, error, ambiguity, or discrepancy within the Contract Documents, or between the Contract Documents and (a) any applicable Law or Regulation, (b) actual field conditions, (c) any standard specification, manual, reference standard, or code, or (d) any instruction of any Supplier, then Contractor shall promptly report it to Engineer in writing. Contractor shall not proceed with the Work affected thereby (except in an emergency as required by Paragraph 7.15) until the conflict, error, ambiguity, or discrepancy is resolved, by a clarification or interpretation by Engineer, or by an amendment or supplement to the Contract issued pursuant to Paragraph 11.01.
3. Contractor shall not be liable to Owner or Engineer for failure to report any conflict, error, ambiguity, or discrepancy in the Contract Documents unless Contractor had actual knowledge thereof.

B. *Resolving Discrepancies*

1. Except as may be otherwise specifically stated in the Contract Documents, the provisions of the part of the Contract Documents prepared by or for Engineer take precedence in resolving any conflict, error, ambiguity, or discrepancy between such provisions of the Contract Documents and:
 - a. the provisions of any standard specification, manual, reference standard, or code, or the instruction of any Supplier (whether or not specifically incorporated by reference as a Contract Document); or
 - b. the provisions of any Laws or Regulations applicable to the performance of the Work (unless such an interpretation of the provisions of the Contract Documents would result in violation of such Law or Regulation).

3.04 *Requirements of the Contract Documents*

- A. During the performance of the Work and until final payment, Contractor and Owner shall submit to the Engineer in writing all matters in question concerning the requirements of the Contract Documents (sometimes referred to as requests for information or interpretation—RFIs), or relating to the acceptability of the Work under the Contract Documents, as soon as possible after such matters arise. Engineer will be the initial interpreter of the requirements of the Contract Documents, and judge of the acceptability of the Work.

- B. Engineer will, with reasonable promptness, render a written clarification, interpretation, or decision on the issue submitted, or initiate an amendment or supplement to the Contract Documents. Engineer's written clarification, interpretation, or decision will be final and binding on Contractor, unless it appeals by submitting a Change Proposal, and on Owner, unless it appeals by filing a Claim.
- C. If a submitted matter in question concerns terms and conditions of the Contract Documents that do not involve (1) the performance or acceptability of the Work under the Contract Documents, (2) the design (as set forth in the Drawings, Specifications, or otherwise), or (3) other engineering or technical matters, then Engineer will promptly notify Owner and Contractor in writing that Engineer is unable to provide a decision or interpretation. If Owner and Contractor are unable to agree on resolution of such a matter in question, either party may pursue resolution as provided in Article 12.

3.05 *Reuse of Documents*

- A. Contractor and its Subcontractors and Suppliers shall not:
 - 1. have or acquire any title to or ownership rights in any of the Drawings, Specifications, or other documents (or copies of any thereof) prepared by or bearing the seal of Engineer or its consultants, including electronic media versions, or reuse any such Drawings, Specifications, other documents, or copies thereof on extensions of the Project or any other project without written consent of Owner and Engineer and specific written verification or adaptation by Engineer; or
 - 2. have or acquire any title or ownership rights in any other Contract Documents, reuse any such Contract Documents for any purpose without Owner's express written consent, or violate any copyrights pertaining to such Contract Documents.
- B. The prohibitions of this Paragraph 3.05 will survive final payment, or termination of the Contract. Nothing herein precludes Contractor from retaining copies of the Contract Documents for record purposes.

ARTICLE 4—COMMENCEMENT AND PROGRESS OF THE WORK

4.01 *Commencement of Contract Times; Notice to Proceed*

- A. The Contract Times will commence to run on the 30th day after the Effective Date of the Contract or, if a Notice to Proceed is given, on the day indicated in the Notice to Proceed. A Notice to Proceed may be given at any time within 30 days after the Effective Date of the Contract. In no event will the Contract Times commence to run later than the 60th day after the day of Bid opening or the 30th day after the Effective Date of the Contract, whichever date is earlier.

4.02 *Starting the Work*

- A. Contractor shall start to perform the Work on the date when the Contract Times commence to run. No Work may be done at the Site prior to such date.

4.03 *Reference Points*

- A. Owner shall provide engineering surveys to establish reference points for construction which in Engineer's judgment are necessary to enable Contractor to proceed with the Work. Contractor shall be responsible for laying out the Work, shall protect and preserve the

established reference points and property monuments, and shall make no changes or relocations without the prior written approval of Owner. Contractor shall report to Engineer whenever any reference point or property monument is lost or destroyed or requires relocation because of necessary changes in grades or locations, and shall be responsible for the accurate replacement or relocation of such reference points or property monuments by professionally qualified personnel.

4.04 *Progress Schedule*

- A. Contractor shall adhere to the Progress Schedule established in accordance with Paragraph 2.05 as it may be adjusted from time to time as provided below.
 - 1. Contractor shall submit to Engineer for acceptance (to the extent indicated in Paragraph 2.05) proposed adjustments in the Progress Schedule that will not result in changing the Contract Times.
 - 2. Proposed adjustments in the Progress Schedule that will change the Contract Times must be submitted in accordance with the requirements of Article 11.
- B. Contractor shall carry on the Work and adhere to the Progress Schedule during all disputes or disagreements with Owner. No Work will be delayed or postponed pending resolution of any disputes or disagreements, or during any appeal process, except as permitted by Paragraph 16.04, or as Owner and Contractor may otherwise agree in writing.

4.05 *Delays in Contractor's Progress*

- A. If Owner, Engineer, or anyone for whom Owner is responsible, delays, disrupts, or interferes with the performance or progress of the Work, then Contractor shall be entitled to an equitable adjustment in Contract Price or Contract Times.
- B. Contractor shall not be entitled to an adjustment in Contract Price or Contract Times for delay, disruption, or interference caused by or within the control of Contractor. Delay, disruption, and interference attributable to and within the control of a Subcontractor or Supplier shall be deemed to be within the control of Contractor.
- C. If Contractor's performance or progress is delayed, disrupted, or interfered with by unanticipated causes not the fault of and beyond the control of Owner, Contractor, and those for which they are responsible, then Contractor shall be entitled to an equitable adjustment in Contract Times. Such an adjustment will be Contractor's sole and exclusive remedy for the delays, disruption, and interference described in this paragraph. Causes of delay, disruption, or interference that may give rise to an adjustment in Contract Times under this paragraph include but are not limited to the following:
 - 1. Severe and unavoidable natural catastrophes such as fires, floods, epidemics, and earthquakes;
 - 2. Abnormal weather conditions;
 - 3. Acts or failures to act of third-party utility owners or other third-party entities (other than those third-party utility owners or other third-party entities performing other work at or adjacent to the Site as arranged by or under contract with Owner, as contemplated in Article 8); and
 - 4. Acts of war or terrorism.

- D. Contractor's entitlement to an adjustment of Contract Times or Contract Price is limited as follows:
1. Contractor's entitlement to an adjustment of the Contract Times is conditioned on the delay, disruption, or interference adversely affecting an activity on the critical path to completion of the Work, as of the time of the delay, disruption, or interference.
 2. Contractor shall not be entitled to an adjustment in Contract Price for any delay, disruption, or interference if such delay is concurrent with a delay, disruption, or interference caused by or within the control of Contractor. Such a concurrent delay by Contractor shall not preclude an adjustment of Contract Times to which Contractor is otherwise entitled.
 3. Adjustments of Contract Times or Contract Price are subject to the provisions of Article 11.
- E. Each Contractor request or Change Proposal seeking an increase in Contract Times or Contract Price must be supplemented by supporting data that sets forth in detail the following:
1. The circumstances that form the basis for the requested adjustment;
 2. The date upon which each cause of delay, disruption, or interference began to affect the progress of the Work;
 3. The date upon which each cause of delay, disruption, or interference ceased to affect the progress of the Work;
 4. The number of days' increase in Contract Times claimed as a consequence of each such cause of delay, disruption, or interference; and
 5. The impact on Contract Price, in accordance with the provisions of Paragraph 11.07.
- Contractor shall also furnish such additional supporting documentation as Owner or Engineer may require including, where appropriate, a revised progress schedule indicating all the activities affected by the delay, disruption, or interference, and an explanation of the effect of the delay, disruption, or interference on the critical path to completion of the Work.
- F. Delays, disruption, and interference to the performance or progress of the Work resulting from the existence of a differing subsurface or physical condition, an Underground Facility that was not shown or indicated by the Contract Documents, or not shown or indicated with reasonable accuracy, and those resulting from Hazardous Environmental Conditions, are governed by Article 5, together with the provisions of Paragraphs 4.05.D and 4.05.E.
- G. Paragraph 8.03 addresses delays, disruption, and interference to the performance or progress of the Work resulting from the performance of certain other work at or adjacent to the Site.

ARTICLE 5—SITE; SUBSURFACE AND PHYSICAL CONDITIONS; HAZARDOUS ENVIRONMENTAL CONDITIONS

5.01 *Availability of Lands*

- A. Owner shall furnish the Site. Owner shall notify Contractor in writing of any encumbrances or restrictions not of general application but specifically related to use of the Site with which Contractor must comply in performing the Work.

- B. Upon reasonable written request, Owner shall furnish Contractor with a current statement of record legal title and legal description of the lands upon which permanent improvements are to be made and Owner's interest therein as necessary for giving notice of or filing a mechanic's or construction lien against such lands in accordance with applicable Laws and Regulations.
- C. Contractor shall provide for all additional lands and access thereto that may be required for temporary construction facilities or storage of materials and equipment.

5.02 *Use of Site and Other Areas*

A. *Limitation on Use of Site and Other Areas*

1. Contractor shall confine construction equipment, temporary construction facilities, the storage of materials and equipment, and the operations of workers to the Site, adjacent areas that Contractor has arranged to use through construction easements or otherwise, and other adjacent areas permitted by Laws and Regulations, and shall not unreasonably encumber the Site and such other adjacent areas with construction equipment or other materials or equipment. Contractor shall assume full responsibility for (a) damage to the Site; (b) damage to any such other adjacent areas used for Contractor's operations; (c) damage to any other adjacent land or areas, or to improvements, structures, utilities, or similar facilities located at such adjacent lands or areas; and (d) for injuries and losses sustained by the owners or occupants of any such land or areas; provided that such damage or injuries result from the performance of the Work or from other actions or conduct of the Contractor or those for which Contractor is responsible.
 2. If a damage or injury claim is made by the owner or occupant of any such land or area because of the performance of the Work, or because of other actions or conduct of the Contractor or those for which Contractor is responsible, Contractor shall (a) take immediate corrective or remedial action as required by Paragraph 7.13, or otherwise; (b) promptly attempt to settle the claim as to all parties through negotiations with such owner or occupant, or otherwise resolve the claim by arbitration or other dispute resolution proceeding, or in a court of competent jurisdiction; and (c) to the fullest extent permitted by Laws and Regulations, indemnify and hold harmless Owner and Engineer, and the officers, directors, members, partners, employees, agents, consultants and subcontractors of each and any of them, from and against any such claim, and against all costs, losses, and damages (including but not limited to all fees and charges of engineers, architects, attorneys, and other professionals and all court or arbitration or other dispute resolution costs) arising out of or relating to any claim or action, legal or equitable, brought by any such owner or occupant against Owner, Engineer, or any other party indemnified hereunder to the extent caused directly or indirectly, in whole or in part by, or based upon, Contractor's performance of the Work, or because of other actions or conduct of the Contractor or those for which Contractor is responsible.
- B. *Removal of Debris During Performance of the Work:* During the progress of the Work the Contractor shall keep the Site and other adjacent areas free from accumulations of waste materials, rubbish, and other debris. Removal and disposal of such waste materials, rubbish, and other debris will conform to applicable Laws and Regulations.
 - C. *Cleaning:* Prior to Substantial Completion of the Work Contractor shall clean the Site and the Work and make it ready for utilization by Owner. At the completion of the Work Contractor shall remove from the Site and adjacent areas all tools, appliances, construction equipment

and machinery, and surplus materials and shall restore to original condition all property not designated for alteration by the Contract Documents.

- D. *Loading of Structures:* Contractor shall not load nor permit any part of any structure to be loaded in any manner that will endanger the structure, nor shall Contractor subject any part of the Work or adjacent structures or land to stresses or pressures that will endanger them.

5.03 *Subsurface and Physical Conditions*

- A. *Reports and Drawings:* The Supplementary Conditions identify:

1. Those reports of explorations and tests of subsurface conditions at or adjacent to the Site that contain Technical Data;
2. Those drawings of existing physical conditions at or adjacent to the Site, including those drawings depicting existing surface or subsurface structures at or adjacent to the Site (except Underground Facilities), that contain Technical Data; and
3. Technical Data contained in such reports and drawings.

- B. *Underground Facilities:* Underground Facilities are shown or indicated on the Drawings, pursuant to Paragraph 5.05, and not in the drawings referred to in Paragraph 5.03.A. Information and data regarding the presence or location of Underground Facilities are not intended to be categorized, identified, or defined as Technical Data.

- C. *Reliance by Contractor on Technical Data:* Contractor may rely upon the accuracy of the Technical Data expressly identified in the Supplementary Conditions with respect to such reports and drawings, but such reports and drawings are not Contract Documents. If no such express identification has been made, then Contractor may rely upon the accuracy of the Technical Data as defined in Paragraph 1.01.A.46.b.

- D. *Limitations of Other Data and Documents:* Except for such reliance on Technical Data, Contractor may not rely upon or make any claim against Owner or Engineer, or any of their officers, directors, members, partners, employees, agents, consultants, or subcontractors, with respect to:

1. the completeness of such reports and drawings for Contractor's purposes, including, but not limited to, any aspects of the means, methods, techniques, sequences, and procedures of construction to be employed by Contractor, and safety precautions and programs incident thereto;
2. other data, interpretations, opinions, and information contained in such reports or shown or indicated in such drawings;
3. the contents of other Site-related documents made available to Contractor, such as record drawings from other projects at or adjacent to the Site, or Owner's archival documents concerning the Site; or
4. any Contractor interpretation of or conclusion drawn from any Technical Data or any such other data, interpretations, opinions, or information.

5.04 *Differing Subsurface or Physical Conditions*

- A. *Notice by Contractor:* If Contractor believes that any subsurface or physical condition that is uncovered or revealed at the Site:
1. is of such a nature as to establish that any Technical Data on which Contractor is entitled to rely as provided in Paragraph 5.03 is materially inaccurate;
 2. is of such a nature as to require a change in the Drawings or Specifications;
 3. differs materially from that shown or indicated in the Contract Documents; or
 4. is of an unusual nature, and differs materially from conditions ordinarily encountered and generally recognized as inherent in work of the character provided for in the Contract Documents;

then Contractor shall, promptly after becoming aware thereof and before further disturbing the subsurface or physical conditions or performing any Work in connection therewith (except in an emergency as required by Paragraph 7.15), notify Owner and Engineer in writing about such condition. Contractor shall not further disturb such condition or perform any Work in connection therewith (except with respect to an emergency) until receipt of a written statement permitting Contractor to do so.

- B. *Engineer's Review:* After receipt of written notice as required by the preceding paragraph, Engineer will promptly review the subsurface or physical condition in question; determine whether it is necessary for Owner to obtain additional exploration or tests with respect to the condition; conclude whether the condition falls within any one or more of the differing site condition categories in Paragraph 5.04.A; obtain any pertinent cost or schedule information from Contractor; prepare recommendations to Owner regarding the Contractor's resumption of Work in connection with the subsurface or physical condition in question and the need for any change in the Drawings or Specifications; and advise Owner in writing of Engineer's findings, conclusions, and recommendations.
- C. *Owner's Statement to Contractor Regarding Site Condition:* After receipt of Engineer's written findings, conclusions, and recommendations, Owner shall issue a written statement to Contractor (with a copy to Engineer) regarding the subsurface or physical condition in question, addressing the resumption of Work in connection with such condition, indicating whether any change in the Drawings or Specifications will be made, and adopting or rejecting Engineer's written findings, conclusions, and recommendations, in whole or in part.
- D. *Early Resumption of Work:* If at any time Engineer determines that Work in connection with the subsurface or physical condition in question may resume prior to completion of Engineer's review or Owner's issuance of its statement to Contractor, because the condition in question has been adequately documented, and analyzed on a preliminary basis, then the Engineer may at its discretion instruct Contractor to resume such Work.
- E. *Possible Price and Times Adjustments*
1. Contractor shall be entitled to an equitable adjustment in Contract Price or Contract Times, to the extent that the existence of a differing subsurface or physical condition, or any related delay, disruption, or interference, causes an increase or decrease in

Contractor's cost of, or time required for, performance of the Work; subject, however, to the following:

- a. Such condition must fall within any one or more of the categories described in Paragraph 5.04.A;
 - b. With respect to Work that is paid for on a unit price basis, any adjustment in Contract Price will be subject to the provisions of Paragraph 13.03; and,
 - c. Contractor's entitlement to an adjustment of the Contract Times is subject to the provisions of Paragraphs 4.05.D and 4.05.E.
2. Contractor shall not be entitled to any adjustment in the Contract Price or Contract Times with respect to a subsurface or physical condition if:
- a. Contractor knew of the existence of such condition at the time Contractor made a commitment to Owner with respect to Contract Price and Contract Times by the submission of a Bid or becoming bound under a negotiated contract, or otherwise;
 - b. The existence of such condition reasonably could have been discovered or revealed as a result of any examination, investigation, exploration, test, or study of the Site and contiguous areas expressly required by the Bidding Requirements or Contract Documents to be conducted by or for Contractor prior to Contractor's making such commitment; or
 - c. Contractor failed to give the written notice required by Paragraph 5.04.A.
3. If Owner and Contractor agree regarding Contractor's entitlement to and the amount or extent of any adjustment in the Contract Price or Contract Times, then any such adjustment will be set forth in a Change Order.
4. Contractor may submit a Change Proposal regarding its entitlement to or the amount or extent of any adjustment in the Contract Price or Contract Times, no later than 30 days after Owner's issuance of the Owner's written statement to Contractor regarding the subsurface or physical condition in question.
- F. *Underground Facilities; Hazardous Environmental Conditions*: Paragraph 5.05 governs rights and responsibilities regarding the presence or location of Underground Facilities. Paragraph 5.06 governs rights and responsibilities regarding Hazardous Environmental Conditions. The provisions of Paragraphs 5.03 and 5.04 are not applicable to the presence or location of Underground Facilities, or to Hazardous Environmental Conditions.

5.05 *Underground Facilities*

- A. *Contractor's Responsibilities*: Unless it is otherwise expressly provided in the Supplementary Conditions, the cost of all of the following are included in the Contract Price, and Contractor shall have full responsibility for:
1. reviewing and checking all information and data regarding existing Underground Facilities at the Site;
 2. complying with applicable state and local utility damage prevention Laws and Regulations;

3. verifying the actual location of those Underground Facilities shown or indicated in the Contract Documents as being within the area affected by the Work, by exposing such Underground Facilities during the course of construction;
 4. coordination of the Work with the owners (including Owner) of such Underground Facilities, during construction; and
 5. the safety and protection of all existing Underground Facilities at the Site, and repairing any damage thereto resulting from the Work.
- B. *Notice by Contractor:* If Contractor believes that an Underground Facility that is uncovered or revealed at the Site was not shown or indicated on the Drawings, or was not shown or indicated on the Drawings with reasonable accuracy, then Contractor shall, promptly after becoming aware thereof and before further disturbing conditions affected thereby or performing any Work in connection therewith (except in an emergency as required by Paragraph 7.15), notify Owner and Engineer in writing regarding such Underground Facility.
- C. *Engineer's Review:* Engineer will:
1. promptly review the Underground Facility and conclude whether such Underground Facility was not shown or indicated on the Drawings, or was not shown or indicated with reasonable accuracy;
 2. identify and communicate with the owner of the Underground Facility; prepare recommendations to Owner (and if necessary issue any preliminary instructions to Contractor) regarding the Contractor's resumption of Work in connection with the Underground Facility in question;
 3. obtain any pertinent cost or schedule information from Contractor; determine the extent, if any, to which a change is required in the Drawings or Specifications to reflect and document the consequences of the existence or location of the Underground Facility; and
 4. advise Owner in writing of Engineer's findings, conclusions, and recommendations.

During such time, Contractor shall be responsible for the safety and protection of such Underground Facility.

- D. *Owner's Statement to Contractor Regarding Underground Facility:* After receipt of Engineer's written findings, conclusions, and recommendations, Owner shall issue a written statement to Contractor (with a copy to Engineer) regarding the Underground Facility in question addressing the resumption of Work in connection with such Underground Facility, indicating whether any change in the Drawings or Specifications will be made, and adopting or rejecting Engineer's written findings, conclusions, and recommendations in whole or in part.
- E. *Early Resumption of Work:* If at any time Engineer determines that Work in connection with the Underground Facility may resume prior to completion of Engineer's review or Owner's issuance of its statement to Contractor, because the Underground Facility in question and conditions affected by its presence have been adequately documented, and analyzed on a preliminary basis, then the Engineer may at its discretion instruct Contractor to resume such Work.
- F. *Possible Price and Times Adjustments*
1. Contractor shall be entitled to an equitable adjustment in the Contract Price or Contract Times, to the extent that any existing Underground Facility at the Site that was not shown

or indicated on the Drawings, or was not shown or indicated with reasonable accuracy, or any related delay, disruption, or interference, causes an increase or decrease in Contractor's cost of, or time required for, performance of the Work; subject, however, to the following:

- a. With respect to Work that is paid for on a unit price basis, any adjustment in Contract Price will be subject to the provisions of Paragraph 13.03;
 - b. Contractor's entitlement to an adjustment of the Contract Times is subject to the provisions of Paragraphs 4.05.D and 4.05.E; and
 - c. Contractor gave the notice required in Paragraph 5.05.B.
2. If Owner and Contractor agree regarding Contractor's entitlement to and the amount or extent of any adjustment in the Contract Price or Contract Times, then any such adjustment will be set forth in a Change Order.
 3. Contractor may submit a Change Proposal regarding its entitlement to or the amount or extent of any adjustment in the Contract Price or Contract Times, no later than 30 days after Owner's issuance of the Owner's written statement to Contractor regarding the Underground Facility in question.
 4. The information and data shown or indicated on the Drawings with respect to existing Underground Facilities at the Site is based on information and data (a) furnished by the owners of such Underground Facilities, or by others, (b) obtained from available records, or (c) gathered in an investigation conducted in accordance with the current edition of ASCE 38, Standard Guideline for the Collection and Depiction of Existing Subsurface Utility Data, by the American Society of Civil Engineers. If such information or data is incorrect or incomplete, Contractor's remedies are limited to those set forth in this Paragraph 5.05.F.

5.06 *Hazardous Environmental Conditions at Site*

A. *Reports and Drawings*: The Supplementary Conditions identify:

1. those reports known to Owner relating to Hazardous Environmental Conditions that have been identified at or adjacent to the Site;
2. drawings known to Owner relating to Hazardous Environmental Conditions that have been identified at or adjacent to the Site; and
3. Technical Data contained in such reports and drawings.

B. *Reliance by Contractor on Technical Data Authorized*: Contractor may rely upon the accuracy of the Technical Data expressly identified in the Supplementary Conditions with respect to such reports and drawings, but such reports and drawings are not Contract Documents. If no such express identification has been made, then Contractor may rely on the accuracy of the Technical Data as defined in Paragraph 1.01.A.46.b. Except for such reliance on Technical Data, Contractor may not rely upon or make any claim against Owner or Engineer, or any of their officers, directors, members, partners, employees, agents, consultants, or subcontractors, with respect to:

1. the completeness of such reports and drawings for Contractor's purposes, including, but not limited to, any aspects of the means, methods, techniques, sequences and procedures

- of construction to be employed by Contractor, and safety precautions and programs incident thereto;
2. other data, interpretations, opinions, and information contained in such reports or shown or indicated in such drawings; or
 3. any Contractor interpretation of or conclusion drawn from any Technical Data or any such other data, interpretations, opinions or information.
- C. Contractor shall not be responsible for removing or remediating any Hazardous Environmental Condition encountered, uncovered, or revealed at the Site unless such removal or remediation is expressly identified in the Contract Documents to be within the scope of the Work.
- D. Contractor shall be responsible for controlling, containing, and duly removing all Constituents of Concern brought to the Site by Contractor, Subcontractors, Suppliers, or anyone else for whom Contractor is responsible, and for any associated costs; and for the costs of removing and remediating any Hazardous Environmental Condition created by the presence of any such Constituents of Concern.
- E. If Contractor encounters, uncovers, or reveals a Hazardous Environmental Condition whose removal or remediation is not expressly identified in the Contract Documents as being within the scope of the Work, or if Contractor or anyone for whom Contractor is responsible creates a Hazardous Environmental Condition, then Contractor shall immediately: (1) secure or otherwise isolate such condition; (2) stop all Work in connection with such condition and in any area affected thereby (except in an emergency as required by Paragraph 7.15); and (3) notify Owner and Engineer (and promptly thereafter confirm such notice in writing). Owner shall promptly consult with Engineer concerning the necessity for Owner to retain a qualified expert to evaluate such condition or take corrective action, if any. Promptly after consulting with Engineer, Owner shall take such actions as are necessary to permit Owner to timely obtain required permits and provide Contractor the written notice required by Paragraph 5.06.F. If Contractor or anyone for whom Contractor is responsible created the Hazardous Environmental Condition in question, then Owner may remove and remediate the Hazardous Environmental Condition, and impose a set-off against payments to account for the associated costs.
- F. Contractor shall not resume Work in connection with such Hazardous Environmental Condition or in any affected area until after Owner has obtained any required permits related thereto, and delivered written notice to Contractor either (1) specifying that such condition and any affected area is or has been rendered safe for the resumption of Work, or (2) specifying any special conditions under which such Work may be resumed safely.
- G. If Owner and Contractor cannot agree as to entitlement to or on the amount or extent, if any, of any adjustment in Contract Price or Contract Times, as a result of such Work stoppage, such special conditions under which Work is agreed to be resumed by Contractor, or any costs or expenses incurred in response to the Hazardous Environmental Condition, then within 30 days of Owner's written notice regarding the resumption of Work, Contractor may submit a Change Proposal, or Owner may impose a set-off. Entitlement to any such adjustment is subject to the provisions of Paragraphs 4.05.D, 4.05.E, 11.07, and 11.08.
- H. If, after receipt of such written notice, Contractor does not agree to resume such Work based on a reasonable belief it is unsafe, or does not agree to resume such Work under such special

conditions, then Owner may order the portion of the Work that is in the area affected by such condition to be deleted from the Work, following the contractual change procedures in Article 11. Owner may have such deleted portion of the Work performed by Owner's own forces or others in accordance with Article 8.

- I. To the fullest extent permitted by Laws and Regulations, Owner shall indemnify and hold harmless Contractor, Subcontractors, and Engineer, and the officers, directors, members, partners, employees, agents, consultants, and subcontractors of each and any of them, from and against all claims, costs, losses, and damages (including but not limited to all fees and charges of engineers, architects, attorneys, and other professionals, and all court, arbitration, or other dispute resolution costs) arising out of or relating to a Hazardous Environmental Condition, provided that such Hazardous Environmental Condition (1) was not shown or indicated in the Drawings, Specifications, or other Contract Documents, identified as Technical Data entitled to limited reliance pursuant to Paragraph 5.06.B, or identified in the Contract Documents to be included within the scope of the Work, and (2) was not created by Contractor or by anyone for whom Contractor is responsible. Nothing in this Paragraph 5.06.I obligates Owner to indemnify any individual or entity from and against the consequences of that individual's or entity's own negligence.
- J. To the fullest extent permitted by Laws and Regulations, Contractor shall indemnify and hold harmless Owner and Engineer, and the officers, directors, members, partners, employees, agents, consultants, and subcontractors of each and any of them, from and against all claims, costs, losses, and damages (including but not limited to all fees and charges of engineers, architects, attorneys, and other professionals and all court or arbitration or other dispute resolution costs) arising out of or relating to the failure to control, contain, or remove a Constituent of Concern brought to the Site by Contractor or by anyone for whom Contractor is responsible, or to a Hazardous Environmental Condition created by Contractor or by anyone for whom Contractor is responsible. Nothing in this Paragraph 5.06.J obligates Contractor to indemnify any individual or entity from and against the consequences of that individual's or entity's own negligence.
- K. The provisions of Paragraphs 5.03, 5.04, and 5.05 do not apply to the presence of Constituents of Concern or to a Hazardous Environmental Condition uncovered or revealed at the Site.

ARTICLE 6—BONDS AND INSURANCE

6.01 *Performance, Payment, and Other Bonds*

- A. Contractor shall furnish a performance bond and a payment bond, each in an amount at least equal to the Contract Price, as security for the faithful performance and payment of Contractor's obligations under the Contract. These bonds must remain in effect until one year after the date when final payment becomes due or until completion of the correction period specified in Paragraph 15.08, whichever is later, except as provided otherwise by Laws or Regulations, the terms of a prescribed bond form, the Supplementary Conditions, or other provisions of the Contract.
- B. Contractor shall also furnish such other bonds (if any) as are required by the Supplementary Conditions or other provisions of the Contract.
- C. All bonds must be in the form included in the Bidding Documents or otherwise specified by Owner prior to execution of the Contract, except as provided otherwise by Laws or

Regulations, and must be issued and signed by a surety named in “Companies Holding Certificates of Authority as Acceptable Sureties on Federal Bonds and as Acceptable Reinsuring Companies” as published in Department Circular 570 (as amended and supplemented) by the Bureau of the Fiscal Service, U.S. Department of the Treasury. A bond signed by an agent or attorney-in-fact must be accompanied by a certified copy of that individual’s authority to bind the surety. The evidence of authority must show that it is effective on the date the agent or attorney-in-fact signed the accompanying bond.

- D. Contractor shall obtain the required bonds from surety companies that are duly licensed or authorized, in the state or jurisdiction in which the Project is located, to issue bonds in the required amounts.
- E. If the surety on a bond furnished by Contractor is declared bankrupt or becomes insolvent, or the surety ceases to meet the requirements above, then Contractor shall promptly notify Owner and Engineer in writing and shall, within 20 days after the event giving rise to such notification, provide another bond and surety, both of which must comply with the bond and surety requirements above.
- F. If Contractor has failed to obtain a required bond, Owner may exclude the Contractor from the Site and exercise Owner’s termination rights under Article 16.
- G. Upon request to Owner from any Subcontractor, Supplier, or other person or entity claiming to have furnished labor, services, materials, or equipment used in the performance of the Work, Owner shall provide a copy of the payment bond to such person or entity.
- H. Upon request to Contractor from any Subcontractor, Supplier, or other person or entity claiming to have furnished labor, services, materials, or equipment used in the performance of the Work, Contractor shall provide a copy of the payment bond to such person or entity.

6.02 *Insurance—General Provisions*

- A. Owner and Contractor shall obtain and maintain insurance as required in this article and in the Supplementary Conditions.
- B. All insurance required by the Contract to be purchased and maintained by Owner or Contractor shall be obtained from insurance companies that are duly licensed or authorized in the state or jurisdiction in which the Project is located to issue insurance policies for the required limits and coverages. Unless a different standard is indicated in the Supplementary Conditions, all companies that provide insurance policies required under this Contract shall have an A.M. Best rating of A-VII or better.
- C. Alternative forms of insurance coverage, including but not limited to self-insurance and “Occupational Accident and Excess Employer’s Indemnity Policies,” are not sufficient to meet the insurance requirements of this Contract, unless expressly allowed in the Supplementary Conditions.
- D. Contractor shall deliver to Owner, with copies to each additional insured identified in the Contract, certificates of insurance and endorsements establishing that Contractor has obtained and is maintaining the policies and coverages required by the Contract. Upon request by Owner or any other insured, Contractor shall also furnish other evidence of such required insurance, including but not limited to copies of policies, documentation of applicable self-insured retentions (if allowed) and deductibles, full disclosure of all relevant exclusions, and evidence of insurance required to be purchased and maintained by

- Subcontractors or Suppliers. In any documentation furnished under this provision, Contractor, Subcontractors, and Suppliers may block out (redact) (1) any confidential premium or pricing information and (2) any wording specific to a project or jurisdiction other than those applicable to this Contract.
- E. Owner shall deliver to Contractor, with copies to each additional insured identified in the Contract, certificates of insurance and endorsements establishing that Owner has obtained and is maintaining the policies and coverages required of Owner by the Contract (if any). Upon request by Contractor or any other insured, Owner shall also provide other evidence of such required insurance (if any), including but not limited to copies of policies, documentation of applicable self-insured retentions (if allowed) and deductibles, and full disclosure of all relevant exclusions. In any documentation furnished under this provision, Owner may block out (redact) (1) any confidential premium or pricing information and (2) any wording specific to a project or jurisdiction other than those relevant to this Contract.
 - F. Failure of Owner or Contractor to demand such certificates or other evidence of the other party's full compliance with these insurance requirements, or failure of Owner or Contractor to identify a deficiency in compliance from the evidence provided, will not be construed as a waiver of the other party's obligation to obtain and maintain such insurance.
 - G. In addition to the liability insurance required to be provided by Contractor, the Owner, at Owner's option, may purchase and maintain Owner's own liability insurance. Owner's liability policies, if any, operate separately and independently from policies required to be provided by Contractor, and Contractor cannot rely upon Owner's liability policies for any of Contractor's obligations to the Owner, Engineer, or third parties.
 - H. Contractor shall require:
 - 1. Subcontractors to purchase and maintain worker's compensation, commercial general liability, and other insurance that is appropriate for their participation in the Project, and to name as additional insureds Owner and Engineer (and any other individuals or entities identified in the Supplementary Conditions as additional insureds on Contractor's liability policies) on each Subcontractor's commercial general liability insurance policy; and
 - 2. Suppliers to purchase and maintain insurance that is appropriate for their participation in the Project.
 - I. If either party does not purchase or maintain the insurance required of such party by the Contract, such party shall notify the other party in writing of such failure to purchase prior to the start of the Work, or of such failure to maintain prior to any change in the required coverage.
 - J. If Contractor has failed to obtain and maintain required insurance, Contractor's entitlement to enter or remain at the Site will end immediately, and Owner may impose an appropriate set-off against payment for any associated costs (including but not limited to the cost of purchasing necessary insurance coverage), and exercise Owner's termination rights under Article 16.
 - K. Without prejudice to any other right or remedy, if a party has failed to obtain required insurance, the other party may elect (but is in no way obligated) to obtain equivalent insurance to protect such other party's interests at the expense of the party who was required to provide such coverage, and the Contract Price will be adjusted accordingly.

- L. Owner does not represent that insurance coverage and limits established in this Contract necessarily will be adequate to protect Contractor or Contractor's interests. Contractor is responsible for determining whether such coverage and limits are adequate to protect its interests, and for obtaining and maintaining any additional insurance that Contractor deems necessary.
- M. The insurance and insurance limits required herein will not be deemed as a limitation on Contractor's liability, or that of its Subcontractors or Suppliers, under the indemnities granted to Owner and other individuals and entities in the Contract or otherwise.
- N. All the policies of insurance required to be purchased and maintained under this Contract will contain a provision or endorsement that the coverage afforded will not be canceled, or renewal refused, until at least 10 days prior written notice has been given to the purchasing policyholder. Within three days of receipt of any such written notice, the purchasing policyholder shall provide a copy of the notice to each other insured and Engineer.

6.03 Contractor's Insurance

- A. *Required Insurance:* Contractor shall purchase and maintain Worker's Compensation, Commercial General Liability, and other insurance pursuant to the specific requirements of the Supplementary Conditions.
- B. *General Provisions:* The policies of insurance required by this Paragraph 6.03 as supplemented must:
 - 1. include at least the specific coverages required;
 - 2. be written for not less than the limits provided, or those required by Laws or Regulations, whichever is greater;
 - 3. remain in effect at least until the Work is complete (as set forth in Paragraph 15.06.D), and longer if expressly required elsewhere in this Contract, and at all times thereafter when Contractor may be correcting, removing, or replacing defective Work as a warranty or correction obligation, or otherwise, or returning to the Site to conduct other tasks arising from the Contract;
 - 4. apply with respect to the performance of the Work, whether such performance is by Contractor, any Subcontractor or Supplier, or by anyone directly or indirectly employed by any of them to perform any of the Work, or by anyone for whose acts any of them may be liable; and
 - 5. include all necessary endorsements to support the stated requirements.
- C. *Additional Insureds:* The Contractor's commercial general liability, automobile liability, employer's liability, umbrella or excess, pollution liability, and unmanned aerial vehicle liability policies, if required by this Contract, must:
 - 1. include and list as additional insureds Owner and Engineer, and any individuals or entities identified as additional insureds in the Supplementary Conditions;
 - 2. include coverage for the respective officers, directors, members, partners, employees, and consultants of all such additional insureds;
 - 3. afford primary coverage to these additional insureds for all claims covered thereby (including as applicable those arising from both ongoing and completed operations);

4. not seek contribution from insurance maintained by the additional insured; and
5. as to commercial general liability insurance, apply to additional insureds with respect to liability caused in whole or in part by Contractor's acts or omissions, or the acts and omissions of those working on Contractor's behalf, in the performance of Contractor's operations.

6.04 *Builder's Risk and Other Property Insurance*

- A. *Builder's Risk*: Unless otherwise provided in the Supplementary Conditions, Contractor shall purchase and maintain builder's risk insurance upon the Work on a completed value basis, in the amount of the Work's full insurable replacement cost (subject to such deductible amounts as may be provided in the Supplementary Conditions or required by Laws and Regulations). The specific requirements applicable to the builder's risk insurance are set forth in the Supplementary Conditions.
- B. *Property Insurance for Facilities of Owner Where Work Will Occur*: Owner is responsible for obtaining and maintaining property insurance covering each existing structure, building, or facility in which any part of the Work will occur, or to which any part of the Work will attach or be adjoined. Such property insurance will be written on a special perils (all-risk) form, on a replacement cost basis, providing coverage consistent with that required for the builder's risk insurance, and will be maintained until the Work is complete, as set forth in Paragraph 15.06.D.
- C. *Property Insurance for Substantially Complete Facilities*: Promptly after Substantial Completion, and before actual occupancy or use of the substantially completed Work, Owner will obtain property insurance for such substantially completed Work, and maintain such property insurance at least until the Work is complete, as set forth in Paragraph 15.06.D. Such property insurance will be written on a special perils (all-risk) form, on a replacement cost basis, and provide coverage consistent with that required for the builder's risk insurance. The builder's risk insurance may terminate upon written confirmation of Owner's procurement of such property insurance.
- D. *Partial Occupancy or Use by Owner*: If Owner will occupy or use a portion or portions of the Work prior to Substantial Completion of all the Work, as provided in Paragraph 15.04, then Owner (directly, if it is the purchaser of the builder's risk policy, or through Contractor) will provide advance notice of such occupancy or use to the builder's risk insurer, and obtain an endorsement consenting to the continuation of coverage prior to commencing such partial occupancy or use.
- E. *Insurance of Other Property; Additional Insurance*: If the express insurance provisions of the Contract do not require or address the insurance of a property item or interest, then the entity or individual owning such property item will be responsible for insuring it. If Contractor elects to obtain other special insurance to be included in or supplement the builder's risk or property insurance policies provided under this Paragraph 6.04, it may do so at Contractor's expense.

6.05 *Property Losses; Subrogation*

- A. The builder's risk insurance policy purchased and maintained in accordance with Paragraph 6.04 (or an installation floater policy if authorized by the Supplementary Conditions), will contain provisions to the effect that in the event of payment of any loss or damage the insurer will have no rights of recovery against any insureds thereunder, or against

Engineer or its consultants, or their officers, directors, members, partners, employees, agents, consultants, or subcontractors.

1. Owner and Contractor waive all rights against each other and the respective officers, directors, members, partners, employees, agents, consultants, and subcontractors of each and any of them, for all losses and damages caused by, arising out of, or resulting from any of the perils, risks, or causes of loss covered by such policies and any other property insurance applicable to the Work; and, in addition, waive all such rights against Engineer, its consultants, all individuals or entities identified in the Supplementary Conditions as builder's risk or installation floater insureds, and the officers, directors, members, partners, employees, agents, consultants, and subcontractors of each and any of them, under such policies for losses and damages so caused.
 2. None of the above waivers extends to the rights that any party making such waiver may have to the proceeds of insurance held by Owner or Contractor as trustee or fiduciary, or otherwise payable under any policy so issued.
- B. Any property insurance policy maintained by Owner covering any loss, damage, or consequential loss to Owner's existing structures, buildings, or facilities in which any part of the Work will occur, or to which any part of the Work will attach or adjoin; to adjacent structures, buildings, or facilities of Owner; or to part or all of the completed or substantially completed Work, during partial occupancy or use pursuant to Paragraph 15.04, after Substantial Completion pursuant to Paragraph 15.03, or after final payment pursuant to Paragraph 15.06, will contain provisions to the effect that in the event of payment of any loss or damage the insurer will have no rights of recovery against any insureds thereunder, or against Contractor, Subcontractors, or Engineer, or the officers, directors, members, partners, employees, agents, consultants, or subcontractors of each and any of them, and that the insured is allowed to waive the insurer's rights of subrogation in a written contract executed prior to the loss, damage, or consequential loss.
1. Owner waives all rights against Contractor, Subcontractors, and Engineer, and the officers, directors, members, partners, employees, agents, consultants and subcontractors of each and any of them, for all losses and damages caused by, arising out of, or resulting from fire or any of the perils, risks, or causes of loss covered by such policies.
- C. The waivers in this Paragraph 6.05 include the waiver of rights due to business interruption, loss of use, or other consequential loss extending beyond direct physical loss or damage to Owner's property or the Work caused by, arising out of, or resulting from fire or other insured peril, risk, or cause of loss.
- D. Contractor shall be responsible for assuring that each Subcontract contains provisions whereby the Subcontractor waives all rights against Owner, Contractor, all individuals or entities identified in the Supplementary Conditions as insureds, the Engineer and its consultants, and the officers, directors, members, partners, employees, agents, consultants, and subcontractors of each and any of them, for all losses and damages caused by, arising out of, relating to, or resulting from fire or other peril, risk, or cause of loss covered by builder's risk insurance, installation floater, and any other property insurance applicable to the Work.

6.06 *Receipt and Application of Property Insurance Proceeds*

- A. Any insured loss under the builder's risk and other policies of property insurance required by Paragraph 6.04 will be adjusted and settled with the named insured that purchased the policy. Such named insured shall act as fiduciary for the other insureds, and give notice to such other insureds that adjustment and settlement of a claim is in progress. Any other insured may state its position regarding a claim for insured loss in writing within 15 days after notice of such claim.
- B. Proceeds for such insured losses may be made payable by the insurer either jointly to multiple insureds, or to the named insured that purchased the policy in its own right and as fiduciary for other insureds, subject to the requirements of any applicable mortgage clause. A named insured receiving insurance proceeds under the builder's risk and other policies of insurance required by Paragraph 6.04 shall maintain such proceeds in a segregated account, and distribute such proceeds in accordance with such agreement as the parties in interest may reach, or as otherwise required under the dispute resolution provisions of this Contract or applicable Laws and Regulations.
- C. If no other special agreement is reached, Contractor shall repair or replace the damaged Work, using allocated insurance proceeds.

ARTICLE 7—CONTRACTOR'S RESPONSIBILITIES

7.01 *Contractor's Means and Methods of Construction*

- A. Contractor shall be solely responsible for the means, methods, techniques, sequences, and procedures of construction.
- B. If the Contract Documents note, or Contractor determines, that professional engineering or other design services are needed to carry out Contractor's responsibilities for construction means, methods, techniques, sequences, and procedures, or for Site safety, then Contractor shall cause such services to be provided by a properly licensed design professional, at Contractor's expense. Such services are not Owner-delegated professional design services under this Contract, and neither Owner nor Engineer has any responsibility with respect to (1) Contractor's determination of the need for such services, (2) the qualifications or licensing of the design professionals retained or employed by Contractor, (3) the performance of such services, or (4) any errors, omissions, or defects in such services.

7.02 *Supervision and Superintendence*

- A. Contractor shall supervise, inspect, and direct the Work competently and efficiently, devoting such attention thereto and applying such skills and expertise as may be necessary to perform the Work in accordance with the Contract Documents.
- B. At all times during the progress of the Work, Contractor shall assign a competent resident superintendent who will not be replaced without written notice to Owner and Engineer except under extraordinary circumstances.

7.03 *Labor; Working Hours*

- A. Contractor shall provide competent, suitably qualified personnel to survey and lay out the Work and perform construction as required by the Contract Documents. Contractor shall maintain good discipline and order at the Site.

- B. Contractor shall be fully responsible to Owner and Engineer for all acts and omissions of Contractor's employees; of Suppliers and Subcontractors, and their employees; and of any other individuals or entities performing or furnishing any of the Work, just as Contractor is responsible for Contractor's own acts and omissions.
- C. Except as otherwise required for the safety or protection of persons or the Work or property at the Site or adjacent thereto, and except as otherwise stated in the Contract Documents, all Work at the Site will be performed during regular working hours, Monday through Friday. Contractor will not perform Work on a Saturday, Sunday, or any legal holiday. Contractor may perform Work outside regular working hours or on Saturdays, Sundays, or legal holidays only with Owner's written consent, which will not be unreasonably withheld.

7.04 *Services, Materials, and Equipment*

- A. Unless otherwise specified in the Contract Documents, Contractor shall provide and assume full responsibility for all services, materials, equipment, labor, transportation, construction equipment and machinery, tools, appliances, fuel, power, light, heat, telephone, water, sanitary facilities, temporary facilities, and all other facilities and incidentals necessary for the performance, testing, start up, and completion of the Work, whether or not such items are specifically called for in the Contract Documents.
- B. All materials and equipment incorporated into the Work must be new and of good quality, except as otherwise provided in the Contract Documents. All special warranties and guarantees required by the Specifications will expressly run to the benefit of Owner. If required by Engineer, Contractor shall furnish satisfactory evidence (including reports of required tests) as to the source, kind, and quality of materials and equipment.
- C. All materials and equipment must be stored, applied, installed, connected, erected, protected, used, cleaned, and conditioned in accordance with instructions of the applicable Supplier, except as otherwise may be provided in the Contract Documents.

7.05 *"Or Equals"*

- A. *Contractor's Request; Governing Criteria:* Whenever an item of equipment or material is specified or described in the Contract Documents by using the names of one or more proprietary items or specific Suppliers, the Contract Price has been based upon Contractor furnishing such item as specified. The specification or description of such an item is intended to establish the type, function, appearance, and quality required. Unless the specification or description contains or is followed by words reading that no like, equivalent, or "or equal" item is permitted, Contractor may request that Engineer authorize the use of other items of equipment or material, or items from other proposed Suppliers, under the circumstances described below.
 - 1. If Engineer in its sole discretion determines that an item of equipment or material proposed by Contractor is functionally equal to that named and sufficiently similar so that no change in related Work will be required, Engineer will deem it an "or equal" item. For the purposes of this paragraph, a proposed item of equipment or material will be considered functionally equal to an item so named if:
 - a. in the exercise of reasonable judgment Engineer determines that the proposed item:
 - 1) is at least equal in materials of construction, quality, durability, appearance, strength, and design characteristics;

- 2) will reliably perform at least equally well the function and achieve the results imposed by the design concept of the completed Project as a functioning whole;
 - 3) has a proven record of performance and availability of responsive service; and
 - 4) is not objectionable to Owner.
- b. Contractor certifies that, if the proposed item is approved and incorporated into the Work:
- 1) there will be no increase in cost to the Owner or increase in Contract Times; and
 - 2) the item will conform substantially to the detailed requirements of the item named in the Contract Documents.
- B. *Contractor's Expense:* Contractor shall provide all data in support of any proposed "or equal" item at Contractor's expense.
- C. *Engineer's Evaluation and Determination:* Engineer will be allowed a reasonable time to evaluate each "or-equal" request. Engineer may require Contractor to furnish additional data about the proposed "or-equal" item. Engineer will be the sole judge of acceptability. No "or-equal" item will be ordered, furnished, installed, or utilized until Engineer's review is complete and Engineer determines that the proposed item is an "or-equal," which will be evidenced by an approved Shop Drawing or other written communication. Engineer will advise Contractor in writing of any negative determination.
- D. *Effect of Engineer's Determination:* Neither approval nor denial of an "or-equal" request will result in any change in Contract Price. The Engineer's denial of an "or-equal" request will be final and binding, and may not be reversed through an appeal under any provision of the Contract.
- E. *Treatment as a Substitution Request:* If Engineer determines that an item of equipment or material proposed by Contractor does not qualify as an "or-equal" item, Contractor may request that Engineer consider the item a proposed substitute pursuant to Paragraph 7.06.

7.06 *Substitutes*

- A. *Contractor's Request; Governing Criteria:* Unless the specification or description of an item of equipment or material required to be furnished under the Contract Documents contains or is followed by words reading that no substitution is permitted, Contractor may request that Engineer authorize the use of other items of equipment or material under the circumstances described below. To the extent possible such requests must be made before commencement of related construction at the Site.
1. Contractor shall submit sufficient information as provided below to allow Engineer to determine if the item of material or equipment proposed is functionally equivalent to that named and an acceptable substitute therefor. Engineer will not accept requests for review of proposed substitute items of equipment or material from anyone other than Contractor.
 2. The requirements for review by Engineer will be as set forth in Paragraph 7.06.B, as supplemented by the Specifications, and as Engineer may decide is appropriate under the circumstances.

3. Contractor shall make written application to Engineer for review of a proposed substitute item of equipment or material that Contractor seeks to furnish or use. The application:
 - a. will certify that the proposed substitute item will:
 - 1) perform adequately the functions and achieve the results called for by the general design;
 - 2) be similar in substance to the item specified; and
 - 3) be suited to the same use as the item specified.
 - b. will state:
 - 1) the extent, if any, to which the use of the proposed substitute item will necessitate a change in Contract Times;
 - 2) whether use of the proposed substitute item in the Work will require a change in any of the Contract Documents (or in the provisions of any other direct contract with Owner for other work on the Project) to adapt the design to the proposed substitute item; and
 - 3) whether incorporation or use of the proposed substitute item in connection with the Work is subject to payment of any license fee or royalty.
 - c. will identify:
 - 1) all variations of the proposed substitute item from the item specified; and
 - 2) available engineering, sales, maintenance, repair, and replacement services.
 - d. will contain an itemized estimate of all costs or credits that will result directly or indirectly from use of such substitute item, including but not limited to changes in Contract Price, shared savings, costs of redesign, and claims of other contractors affected by any resulting change.
- B. *Engineer's Evaluation and Determination*: Engineer will be allowed a reasonable time to evaluate each substitute request, and to obtain comments and direction from Owner. Engineer may require Contractor to furnish additional data about the proposed substitute item. Engineer will be the sole judge of acceptability. No substitute will be ordered, furnished, installed, or utilized until Engineer's review is complete and Engineer determines that the proposed item is an acceptable substitute. Engineer's determination will be evidenced by a Field Order or a proposed Change Order accounting for the substitution itself and all related impacts, including changes in Contract Price or Contract Times. Engineer will advise Contractor in writing of any negative determination.
- C. *Special Guarantee*: Owner may require Contractor to furnish at Contractor's expense a special performance guarantee or other surety with respect to any substitute.
- D. *Reimbursement of Engineer's Cost*: Engineer will record Engineer's costs in evaluating a substitute proposed or submitted by Contractor. Whether or not Engineer approves a substitute so proposed or submitted by Contractor, Contractor shall reimburse Owner for the reasonable charges of Engineer for evaluating each such proposed substitute. Contractor shall also reimburse Owner for the reasonable charges of Engineer for making changes in the Contract Documents (or in the provisions of any other direct contract with Owner) resulting from the acceptance of each proposed substitute.

- E. *Contractor's Expense*: Contractor shall provide all data in support of any proposed substitute at Contractor's expense.
- F. *Effect of Engineer's Determination*: If Engineer approves the substitution request, Contractor shall execute the proposed Change Order and proceed with the substitution. The Engineer's denial of a substitution request will be final and binding, and may not be reversed through an appeal under any provision of the Contract. Contractor may challenge the scope of reimbursement costs imposed under Paragraph 7.06.D, by timely submittal of a Change Proposal.

7.07 *Concerning Subcontractors and Suppliers*

- A. Contractor may retain Subcontractors and Suppliers for the performance of parts of the Work. Such Subcontractors and Suppliers must be acceptable to Owner. The Contractor's retention of a Subcontractor or Supplier for the performance of parts of the Work will not relieve Contractor's obligation to Owner to perform and complete the Work in accordance with the Contract Documents.
- B. Contractor shall retain specific Subcontractors and Suppliers for the performance of designated parts of the Work if required by the Contract to do so.
- C. Subsequent to the submittal of Contractor's Bid or final negotiation of the terms of the Contract, Owner may not require Contractor to retain any Subcontractor or Supplier to furnish or perform any of the Work against which Contractor has reasonable objection.
- D. Prior to entry into any binding subcontract or purchase order, Contractor shall submit to Owner the identity of the proposed Subcontractor or Supplier (unless Owner has already deemed such proposed Subcontractor or Supplier acceptable during the bidding process or otherwise). Such proposed Subcontractor or Supplier shall be deemed acceptable to Owner unless Owner raises a substantive, reasonable objection within 5 days.
- E. Owner may require the replacement of any Subcontractor or Supplier. Owner also may require Contractor to retain specific replacements; provided, however, that Owner may not require a replacement to which Contractor has a reasonable objection. If Contractor has submitted the identity of certain Subcontractors or Suppliers for acceptance by Owner, and Owner has accepted it (either in writing or by failing to make written objection thereto), then Owner may subsequently revoke the acceptance of any such Subcontractor or Supplier so identified solely on the basis of substantive, reasonable objection after due investigation. Contractor shall submit an acceptable replacement for the rejected Subcontractor or Supplier.
- F. If Owner requires the replacement of any Subcontractor or Supplier retained by Contractor to perform any part of the Work, then Contractor shall be entitled to an adjustment in Contract Price or Contract Times, with respect to the replacement; and Contractor shall initiate a Change Proposal for such adjustment within 30 days of Owner's requirement of replacement.
- G. No acceptance by Owner of any such Subcontractor or Supplier, whether initially or as a replacement, will constitute a waiver of the right of Owner to the completion of the Work in accordance with the Contract Documents.

- H. On a monthly basis, Contractor shall submit to Engineer a complete list of all Subcontractors and Suppliers having a direct contract with Contractor, and of all other Subcontractors and Suppliers known to Contractor at the time of submittal.
- I. Contractor shall be solely responsible for scheduling and coordinating the work of Subcontractors and Suppliers.
- J. The divisions and sections of the Specifications and the identifications of any Drawings do not control Contractor in dividing the Work among Subcontractors or Suppliers, or in delineating the Work to be performed by any specific trade.
- K. All Work performed for Contractor by a Subcontractor or Supplier must be pursuant to an appropriate contractual agreement that specifically binds the Subcontractor or Supplier to the applicable terms and conditions of the Contract for the benefit of Owner and Engineer.
- L. Owner may furnish to any Subcontractor or Supplier, to the extent practicable, information about amounts paid to Contractor for Work performed for Contractor by the Subcontractor or Supplier.
- M. Contractor shall restrict all Subcontractors and Suppliers from communicating with Engineer or Owner, except through Contractor or in case of an emergency, or as otherwise expressly allowed in this Contract.

7.08 *Patent Fees and Royalties*

- A. Contractor shall pay all license fees and royalties and assume all costs incident to the use in the performance of the Work or the incorporation in the Work of any invention, design, process, product, or device which is the subject of patent rights or copyrights held by others. If an invention, design, process, product, or device is specified in the Contract Documents for use in the performance of the Work and if, to the actual knowledge of Owner or Engineer, its use is subject to patent rights or copyrights calling for the payment of any license fee or royalty to others, the existence of such rights will be disclosed in the Contract Documents.
- B. To the fullest extent permitted by Laws and Regulations, Owner shall indemnify and hold harmless Contractor, and its officers, directors, members, partners, employees, agents, consultants, and subcontractors, from and against all claims, costs, losses, and damages (including but not limited to all fees and charges of engineers, architects, attorneys, and other professionals, and all court or arbitration or other dispute resolution costs) arising out of or relating to any infringement of patent rights or copyrights incident to the use in the performance of the Work or resulting from the incorporation in the Work of any invention, design, process, product, or device specified in the Contract Documents, but not identified as being subject to payment of any license fee or royalty to others required by patent rights or copyrights.
- C. To the fullest extent permitted by Laws and Regulations, Contractor shall indemnify and hold harmless Owner and Engineer, and the officers, directors, members, partners, employees, agents, consultants and subcontractors of each and any of them, from and against all claims, costs, losses, and damages (including but not limited to all fees and charges of engineers, architects, attorneys, and other professionals and all court or arbitration or other dispute resolution costs) arising out of or relating to any infringement of patent rights or copyrights incident to the use in the performance of the Work or resulting from the incorporation in the Work of any invention, design, process, product, or device not specified in the Contract Documents.

7.09 *Permits*

- A. Unless otherwise provided in the Contract Documents, Contractor shall obtain and pay for all construction permits, licenses, and certificates of occupancy. Owner shall assist Contractor, when necessary, in obtaining such permits and licenses. Contractor shall pay all governmental charges and inspection fees necessary for the prosecution of the Work which are applicable at the time of the submission of Contractor's Bid (or when Contractor became bound under a negotiated contract). Owner shall pay all charges of utility owners for connections for providing permanent service to the Work.

7.10 *Taxes*

- A. Contractor shall pay all sales, consumer, use, and other similar taxes required to be paid by Contractor in accordance with the Laws and Regulations of the place of the Project which are applicable during the performance of the Work.

7.11 *Laws and Regulations*

- A. Contractor shall give all notices required by and shall comply with all Laws and Regulations applicable to the performance of the Work. Neither Owner nor Engineer shall be responsible for monitoring Contractor's compliance with any Laws or Regulations.
- B. If Contractor performs any Work or takes any other action knowing or having reason to know that it is contrary to Laws or Regulations, Contractor shall bear all resulting costs and losses, and shall indemnify and hold harmless Owner and Engineer, and the officers, directors, members, partners, employees, agents, consultants, and subcontractors of each and any of them, from and against all claims, costs, losses, and damages (including but not limited to all fees and charges of engineers, architects, attorneys, and other professionals and all court or arbitration or other dispute resolution costs) arising out of or relating to such Work or other action. It is not Contractor's responsibility to make certain that the Work described in the Contract Documents is in accordance with Laws and Regulations, but this does not relieve Contractor of its obligations under Paragraph 3.03.
- C. Owner or Contractor may give written notice to the other party of any changes after the submission of Contractor's Bid (or after the date when Contractor became bound under a negotiated contract) in Laws or Regulations having an effect on the cost or time of performance of the Work, including but not limited to changes in Laws or Regulations having an effect on procuring permits and on sales, use, value-added, consumption, and other similar taxes. If Owner and Contractor are unable to agree on entitlement to or on the amount or extent, if any, of any adjustment in Contract Price or Contract Times resulting from such changes, then within 30 days of such written notice Contractor may submit a Change Proposal, or Owner may initiate a Claim.

7.12 *Record Documents*

- A. Contractor shall maintain in a safe place at the Site one printed record copy of all Drawings, Specifications, Addenda, Change Orders, Work Change Directives, Field Orders, written interpretations and clarifications, and approved Shop Drawings. Contractor shall keep such record documents in good order and annotate them to show changes made during construction. These record documents, together with all approved Samples, will be available to Engineer for reference. Upon completion of the Work, Contractor shall deliver these record documents to Engineer.

7.13 *Safety and Protection*

- A. Contractor shall be solely responsible for initiating, maintaining, and supervising all safety precautions and programs in connection with the Work. Such responsibility does not relieve Subcontractors of their responsibility for the safety of persons or property in the performance of their work, nor for compliance with applicable safety Laws and Regulations.
- B. Contractor shall designate a qualified and experienced safety representative whose duties and responsibilities are the prevention of Work-related accidents and the maintenance and supervision of safety precautions and programs.
- C. Contractor shall take all necessary precautions for the safety of, and shall provide the necessary protection to prevent damage, injury, or loss to:
 - 1. all persons on the Site or who may be affected by the Work;
 - 2. all the Work and materials and equipment to be incorporated therein, whether in storage on or off the Site; and
 - 3. other property at the Site or adjacent thereto, including trees, shrubs, lawns, walks, pavements, roadways, structures, other work in progress, utilities, and Underground Facilities not designated for removal, relocation, or replacement in the course of construction.
- D. All damage, injury, or loss to any property referred to in Paragraph 7.13.C.2 or 7.13.C.3 caused, directly or indirectly, in whole or in part, by Contractor, any Subcontractor, Supplier, or any other individual or entity directly or indirectly employed by any of them to perform any of the Work, or anyone for whose acts any of them may be liable, shall be remedied by Contractor at its expense (except damage or loss attributable to the fault of Drawings or Specifications or to the acts or omissions of Owner or Engineer or anyone employed by any of them, or anyone for whose acts any of them may be liable, and not attributable, directly or indirectly, in whole or in part, to the fault or negligence of Contractor or any Subcontractor, Supplier, or other individual or entity directly or indirectly employed by any of them).
- E. Contractor shall comply with all applicable Laws and Regulations relating to the safety of persons or property, or to the protection of persons or property from damage, injury, or loss; and shall erect and maintain all necessary safeguards for such safety and protection.
- F. Contractor shall notify Owner; the owners of adjacent property; the owners of Underground Facilities and other utilities (if the identity of such owners is known to Contractor); and other contractors and utility owners performing work at or adjacent to the Site, in writing, when Contractor knows that prosecution of the Work may affect them, and shall cooperate with them in the protection, removal, relocation, and replacement of their property or work in progress.
- G. Contractor shall comply with the applicable requirements of Owner's safety programs, if any. Any Owner's safety programs that are applicable to the Work are identified or included in the Supplementary Conditions or Specifications.
- H. Contractor shall inform Owner and Engineer of the specific requirements of Contractor's safety program with which Owner's and Engineer's employees and representatives must comply while at the Site.

- I. Contractor's duties and responsibilities for safety and protection will continue until all the Work is completed, Engineer has issued a written notice to Owner and Contractor in accordance with Paragraph 15.06.C that the Work is acceptable, and Contractor has left the Site (except as otherwise expressly provided in connection with Substantial Completion).
- J. Contractor's duties and responsibilities for safety and protection will resume whenever Contractor or any Subcontractor or Supplier returns to the Site to fulfill warranty or correction obligations, or to conduct other tasks arising from the Contract Documents.

7.14 *Hazard Communication Programs*

- A. Contractor shall be responsible for coordinating any exchange of safety data sheets (formerly known as material safety data sheets) or other hazard communication information required to be made available to or exchanged between or among employers at the Site in accordance with Laws or Regulations.

7.15 *Emergencies*

- A. In emergencies affecting the safety or protection of persons or the Work or property at the Site or adjacent thereto, Contractor is obligated to act to prevent damage, injury, or loss. Contractor shall give Engineer prompt written notice if Contractor believes that any significant changes in the Work or variations from the Contract Documents have been caused by an emergency, or are required as a result of Contractor's response to an emergency. If Engineer determines that a change in the Contract Documents is required because of an emergency or Contractor's response, a Work Change Directive or Change Order will be issued.

7.16 *Submittals*

A. *Shop Drawing and Sample Requirements*

- 1. Before submitting a Shop Drawing or Sample, Contractor shall:
 - a. review and coordinate the Shop Drawing or Sample with other Shop Drawings and Samples and with the requirements of the Work and the Contract Documents;
 - b. determine and verify:
 - 1) all field measurements, quantities, dimensions, specified performance and design criteria, installation requirements, materials, catalog numbers, and similar information with respect to the Submittal;
 - 2) the suitability of all materials and equipment offered with respect to the indicated application, fabrication, shipping, handling, storage, assembly, and installation pertaining to the performance of the Work; and
 - 3) all information relative to Contractor's responsibilities for means, methods, techniques, sequences, and procedures of construction, and safety precautions and programs incident thereto;
 - c. confirm that the Submittal is complete with respect to all related data included in the Submittal.
- 2. Each Shop Drawing or Sample must bear a stamp or specific written certification that Contractor has satisfied Contractor's obligations under the Contract Documents with respect to Contractor's review of that Submittal, and that Contractor approves the Submittal.

3. With each Shop Drawing or Sample, Contractor shall give Engineer specific written notice of any variations that the Submittal may have from the requirements of the Contract Documents. This notice must be set forth in a written communication separate from the Submittal; and, in addition, in the case of a Shop Drawing by a specific notation made on the Shop Drawing itself.
- B. *Submittal Procedures for Shop Drawings and Samples:* Contractor shall label and submit Shop Drawings and Samples to Engineer for review and approval in accordance with the accepted Schedule of Submittals.
1. *Shop Drawings*
 - a. Contractor shall submit the number of copies required in the Specifications.
 - b. Data shown on the Shop Drawings must be complete with respect to quantities, dimensions, specified performance and design criteria, materials, and similar data to show Engineer the services, materials, and equipment Contractor proposes to provide, and to enable Engineer to review the information for the limited purposes required by Paragraph 7.16.C.
 2. *Samples*
 - a. Contractor shall submit the number of Samples required in the Specifications.
 - b. Contractor shall clearly identify each Sample as to material, Supplier, pertinent data such as catalog numbers, the use for which intended and other data as Engineer may require to enable Engineer to review the Submittal for the limited purposes required by Paragraph 7.16.C.
 3. Where a Shop Drawing or Sample is required by the Contract Documents or the Schedule of Submittals, any related Work performed prior to Engineer's review and approval of the pertinent submittal will be at the sole expense and responsibility of Contractor.
- C. *Engineer's Review of Shop Drawings and Samples*
1. Engineer will provide timely review of Shop Drawings and Samples in accordance with the accepted Schedule of Submittals. Engineer's review and approval will be only to determine if the items covered by the Submittals will, after installation or incorporation in the Work, comply with the requirements of the Contract Documents, and be compatible with the design concept of the completed Project as a functioning whole as indicated by the Contract Documents.
 2. Engineer's review and approval will not extend to means, methods, techniques, sequences, or procedures of construction, or to safety precautions or programs incident thereto.
 3. Engineer's review and approval of a separate item as such will not indicate approval of the assembly in which the item functions.
 4. Engineer's review and approval of a Shop Drawing or Sample will not relieve Contractor from responsibility for any variation from the requirements of the Contract Documents unless Contractor has complied with the requirements of Paragraph 7.16.A.3 and Engineer has given written approval of each such variation by specific written notation thereof incorporated in or accompanying the Shop Drawing or Sample. Engineer will

document any such approved variation from the requirements of the Contract Documents in a Field Order or other appropriate Contract modification.

5. Engineer's review and approval of a Shop Drawing or Sample will not relieve Contractor from responsibility for complying with the requirements of Paragraphs 7.16.A and B.
6. Engineer's review and approval of a Shop Drawing or Sample, or of a variation from the requirements of the Contract Documents, will not, under any circumstances, change the Contract Times or Contract Price, unless such changes are included in a Change Order.
7. Neither Engineer's receipt, review, acceptance, or approval of a Shop Drawing or Sample will result in such item becoming a Contract Document.
8. Contractor shall perform the Work in compliance with the requirements and commitments set forth in approved Shop Drawings and Samples, subject to the provisions of Paragraph 7.16.C.4.

D. Resubmittal Procedures for Shop Drawings and Samples

1. Contractor shall make corrections required by Engineer and shall return the required number of corrected copies of Shop Drawings and submit, as required, new Samples for review and approval. Contractor shall direct specific attention in writing to revisions other than the corrections called for by Engineer on previous Submittals.
2. Contractor shall furnish required Shop Drawing and Sample submittals with sufficient information and accuracy to obtain required approval of an item with no more than two resubmittals. Engineer will record Engineer's time for reviewing a third or subsequent resubmittal of a Shop Drawing or Sample, and Contractor shall be responsible for Engineer's charges to Owner for such time. Owner may impose a set-off against payments due Contractor to secure reimbursement for such charges.
3. If Contractor requests a change of a previously approved Shop Drawing or Sample, Contractor shall be responsible for Engineer's charges to Owner for its review time, and Owner may impose a set-off against payments due Contractor to secure reimbursement for such charges, unless the need for such change is beyond the control of Contractor.

E. Submittals Other than Shop Drawings, Samples, and Owner-Delegated Designs

1. The following provisions apply to all Submittals other than Shop Drawings, Samples, and Owner-delegated designs:
 - a. Contractor shall submit all such Submittals to the Engineer in accordance with the Schedule of Submittals and pursuant to the applicable terms of the Contract Documents.
 - b. Engineer will provide timely review of all such Submittals in accordance with the Schedule of Submittals and return such Submittals with a notation of either Accepted or Not Accepted. Any such Submittal that is not returned within the time established in the Schedule of Submittals will be deemed accepted.
 - c. Engineer's review will be only to determine if the Submittal is acceptable under the requirements of the Contract Documents as to general form and content of the Submittal.

- d. If any such Submittal is not accepted, Contractor shall confer with Engineer regarding the reason for the non-acceptance, and resubmit an acceptable document.
 2. Procedures for the submittal and acceptance of the Progress Schedule, the Schedule of Submittals, and the Schedule of Values are set forth in Paragraphs 2.03, 2.04, and 2.05.
- F. Owner-delegated Designs: Submittals pursuant to Owner-delegated designs are governed by the provisions of Paragraph 7.19.

7.17 Contractor's General Warranty and Guarantee

- A. Contractor warrants and guarantees to Owner that all Work will be in accordance with the Contract Documents and will not be defective. Engineer is entitled to rely on Contractor's warranty and guarantee.
- B. Owner's rights under this warranty and guarantee are in addition to, and are not limited by, Owner's rights under the correction period provisions of Paragraph 15.08. The time in which Owner may enforce its warranty and guarantee rights under this Paragraph 7.17 is limited only by applicable Laws and Regulations restricting actions to enforce such rights; provided, however, that after the end of the correction period under Paragraph 15.08:
1. Owner shall give Contractor written notice of any defective Work within 60 days of the discovery that such Work is defective; and
 2. Such notice will be deemed the start of an event giving rise to a Claim under Paragraph 12.01.B, such that any related Claim must be brought within 30 days of the notice.
- C. Contractor's warranty and guarantee hereunder excludes defects or damage caused by:
1. abuse, or improper modification, maintenance, or operation, by persons other than Contractor, Subcontractors, Suppliers, or any other individual or entity for whom Contractor is responsible; or
 2. normal wear and tear under normal usage.
- D. Contractor's obligation to perform and complete the Work in accordance with the Contract Documents is absolute. None of the following will constitute an acceptance of Work that is not in accordance with the Contract Documents, a release of Contractor's obligation to perform the Work in accordance with the Contract Documents, or a release of Owner's warranty and guarantee rights under this Paragraph 7.17:
1. Observations by Engineer;
 2. Recommendation by Engineer or payment by Owner of any progress or final payment;
 3. The issuance of a certificate of Substantial Completion by Engineer or any payment related thereto by Owner;
 4. Use or occupancy of the Work or any part thereof by Owner;
 5. Any review and approval of a Shop Drawing or Sample submittal;
 6. The issuance of a notice of acceptability by Engineer;
 7. The end of the correction period established in Paragraph 15.08;
 8. Any inspection, test, or approval by others; or

9. Any correction of defective Work by Owner.
- E. If the Contract requires the Contractor to accept the assignment of a contract entered into by Owner, then the specific warranties, guarantees, and correction obligations contained in the assigned contract will govern with respect to Contractor's performance obligations to Owner for the Work described in the assigned contract.

7.18 *Indemnification*

- A. To the fullest extent permitted by Laws and Regulations, and in addition to any other obligations of Contractor under the Contract or otherwise, Contractor shall indemnify and hold harmless Owner and Engineer, and the officers, directors, members, partners, employees, agents, consultants and subcontractors of each and any of them, from losses, damages, costs, and judgments (including but not limited to all fees and charges of engineers, architects, attorneys, and other professionals, and all court or arbitration or other dispute resolution costs) arising from third-party claims or actions relating to or resulting from the performance or furnishing of the Work, provided that any such claim, action, loss, cost, judgment or damage is attributable to bodily injury, sickness, disease, or death, or to damage to or destruction of tangible property (other than the Work itself), including the loss of use resulting therefrom, but only to the extent caused by any negligent act or omission of Contractor, any Subcontractor, any Supplier, or any individual or entity directly or indirectly employed by any of them to perform any of the Work, or anyone for whose acts any of them may be liable.
- B. In any and all claims against Owner or Engineer, or any of their officers, directors, members, partners, employees, agents, consultants, or subcontractors, by any employee (or the survivor or personal representative of such employee) of Contractor, any Subcontractor, any Supplier, or any individual or entity directly or indirectly employed by any of them to perform any of the Work, or anyone for whose acts any of them may be liable, the indemnification obligation under Paragraph 7.18.A will not be limited in any way by any limitation on the amount or type of damages, compensation, or benefits payable by or for Contractor or any such Subcontractor, Supplier, or other individual or entity under workers' compensation acts, disability benefit acts, or other employee benefit acts.

7.19 *Delegation of Professional Design Services*

- A. Owner may require Contractor to provide professional design services for a portion of the Work by express delegation in the Contract Documents. Such delegation will specify the performance and design criteria that such services must satisfy, and the Submittals that Contractor must furnish to Engineer with respect to the Owner-delegated design.
- B. Contractor shall cause such Owner-delegated professional design services to be provided pursuant to the professional standard of care by a properly licensed design professional, whose signature and seal must appear on all drawings, calculations, specifications, certifications, and Submittals prepared by such design professional. Such design professional must issue all certifications of design required by Laws and Regulations.
- C. If a Shop Drawing or other Submittal related to the Owner-delegated design is prepared by Contractor, a Subcontractor, or others for submittal to Engineer, then such Shop Drawing or other Submittal must bear the written approval of Contractor's design professional when submitted by Contractor to Engineer.

- D. Owner and Engineer shall be entitled to rely upon the adequacy, accuracy, and completeness of the services, certifications, and approvals performed or provided by the design professionals retained or employed by Contractor under an Owner-delegated design, subject to the professional standard of care and the performance and design criteria stated in the Contract Documents.
- E. Pursuant to this Paragraph 7.19, Engineer's review, approval, and other determinations regarding design drawings, calculations, specifications, certifications, and other Submittals furnished by Contractor pursuant to an Owner-delegated design will be only for the following limited purposes:
 - 1. Checking for conformance with the requirements of this Paragraph 7.19;
 - 2. Confirming that Contractor (through its design professionals) has used the performance and design criteria specified in the Contract Documents; and
 - 3. Establishing that the design furnished by Contractor is consistent with the design concept expressed in the Contract Documents.
- F. Contractor shall not be responsible for the adequacy of performance or design criteria specified by Owner or Engineer.
- G. Contractor is not required to provide professional services in violation of applicable Laws and Regulations.

ARTICLE 8—OTHER WORK AT THE SITE

8.01 *Other Work*

- A. In addition to and apart from the Work under the Contract Documents, the Owner may perform other work at or adjacent to the Site. Such other work may be performed by Owner's employees, or through contracts between the Owner and third parties. Owner may also arrange to have third-party utility owners perform work on their utilities and facilities at or adjacent to the Site.
- B. If Owner performs other work at or adjacent to the Site with Owner's employees, or through contracts for such other work, then Owner shall give Contractor written notice thereof prior to starting any such other work. If Owner has advance information regarding the start of any third-party utility work that Owner has arranged to take place at or adjacent to the Site, Owner shall provide such information to Contractor.
- C. Contractor shall afford proper and safe access to the Site to each contractor that performs such other work, each utility owner performing other work, and Owner, if Owner is performing other work with Owner's employees, and provide a reasonable opportunity for the introduction and storage of materials and equipment and the execution of such other work.
- D. Contractor shall do all cutting, fitting, and patching of the Work that may be required to properly connect or otherwise make its several parts come together and properly integrate with such other work. Contractor shall not endanger any work of others by cutting, excavating, or otherwise altering such work; provided, however, that Contractor may cut or alter others' work with the written consent of Engineer and the others whose work will be affected.

- E. If the proper execution or results of any part of Contractor's Work depends upon work performed by others, Contractor shall inspect such other work and promptly report to Engineer in writing any delays, defects, or deficiencies in such other work that render it unavailable or unsuitable for the proper execution and results of Contractor's Work. Contractor's failure to so report will constitute an acceptance of such other work as fit and proper for integration with Contractor's Work except for latent defects and deficiencies in such other work.
- F. The provisions of this article are not applicable to work that is performed by third-party utilities or other third-party entities without a contract with Owner, or that is performed without having been arranged by Owner. If such work occurs, then any related delay, disruption, or interference incurred by Contractor is governed by the provisions of Paragraph 4.05.C.3.

8.02 *Coordination*

- A. If Owner intends to contract with others for the performance of other work at or adjacent to the Site, to perform other work at or adjacent to the Site with Owner's employees, or to arrange to have utility owners perform work at or adjacent to the Site, the following will be set forth in the Supplementary Conditions or provided to Contractor prior to the start of any such other work:
 - 1. The identity of the individual or entity that will have authority and responsibility for coordination of the activities among the various contractors;
 - 2. An itemization of the specific matters to be covered by such authority and responsibility; and
 - 3. The extent of such authority and responsibilities.
- B. Unless otherwise provided in the Supplementary Conditions, Owner shall have sole authority and responsibility for such coordination.

8.03 *Legal Relationships*

- A. If, in the course of performing other work for Owner at or adjacent to the Site, the Owner's employees, any other contractor working for Owner, or any utility owner that Owner has arranged to perform work, causes damage to the Work or to the property of Contractor or its Subcontractors, or delays, disrupts, interferes with, or increases the scope or cost of the performance of the Work, through actions or inaction, then Contractor shall be entitled to an equitable adjustment in the Contract Price or the Contract Times. Contractor must submit any Change Proposal seeking an equitable adjustment in the Contract Price or the Contract Times under this paragraph within 30 days of the damaging, delaying, disrupting, or interfering event. The entitlement to, and extent of, any such equitable adjustment will take into account information (if any) regarding such other work that was provided to Contractor in the Contract Documents prior to the submittal of the Bid or the final negotiation of the terms of the Contract, and any remedies available to Contractor under Laws or Regulations concerning utility action or inaction. When applicable, any such equitable adjustment in Contract Price will be conditioned on Contractor assigning to Owner all Contractor's rights against such other contractor or utility owner with respect to the damage, delay, disruption, or interference that is the subject of the adjustment. Contractor's entitlement to an adjustment of the Contract Times or Contract Price is subject to the provisions of Paragraphs 4.05.D and 4.05.E.

- B. Contractor shall take reasonable and customary measures to avoid damaging, delaying, disrupting, or interfering with the work of Owner, any other contractor, or any utility owner performing other work at or adjacent to the Site.
 - 1. If Contractor fails to take such measures and as a result damages, delays, disrupts, or interferes with the work of any such other contractor or utility owner, then Owner may impose a set-off against payments due Contractor, and assign to such other contractor or utility owner the Owner's contractual rights against Contractor with respect to the breach of the obligations set forth in this Paragraph 8.03.B.
 - 2. When Owner is performing other work at or adjacent to the Site with Owner's employees, Contractor shall be liable to Owner for damage to such other work, and for the reasonable direct delay, disruption, and interference costs incurred by Owner as a result of Contractor's failure to take reasonable and customary measures with respect to Owner's other work. In response to such damage, delay, disruption, or interference, Owner may impose a set-off against payments due Contractor.
- C. If Contractor damages, delays, disrupts, or interferes with the work of any other contractor, or any utility owner performing other work at or adjacent to the Site, through Contractor's failure to take reasonable and customary measures to avoid such impacts, or if any claim arising out of Contractor's actions, inactions, or negligence in performance of the Work at or adjacent to the Site is made by any such other contractor or utility owner against Contractor, Owner, or Engineer, then Contractor shall (1) promptly attempt to settle the claim as to all parties through negotiations with such other contractor or utility owner, or otherwise resolve the claim by arbitration or other dispute resolution proceeding or at law, and (2) indemnify and hold harmless Owner and Engineer, and the officers, directors, members, partners, employees, agents, consultants and subcontractors of each and any of them from and against any such claims, and against all costs, losses, and damages (including but not limited to all fees and charges of engineers, architects, attorneys, and other professionals and all court or arbitration or other dispute resolution costs) arising out of or relating to such damage, delay, disruption, or interference.

ARTICLE 9—OWNER'S RESPONSIBILITIES

9.01 *Communications to Contractor*

- A. Except as otherwise provided in these General Conditions, Owner shall issue all communications to Contractor through Engineer.

9.02 *Replacement of Engineer*

- A. Owner may at its discretion appoint an engineer to replace Engineer, provided Contractor makes no reasonable objection to the replacement engineer. The replacement engineer's status under the Contract Documents will be that of the former Engineer.

9.03 *Furnish Data*

- A. Owner shall promptly furnish the data required of Owner under the Contract Documents.

9.04 *Pay When Due*

- A. Owner shall make payments to Contractor when they are due as provided in the Agreement.

- 9.05 *Lands and Easements; Reports, Tests, and Drawings*
- A. Owner's duties with respect to providing lands and easements are set forth in Paragraph 5.01.
 - B. Owner's duties with respect to providing engineering surveys to establish reference points are set forth in Paragraph 4.03.
 - C. Article 5 refers to Owner's identifying and making available to Contractor copies of reports of explorations and tests of conditions at the Site, and drawings of physical conditions relating to existing surface or subsurface structures at the Site.
- 9.06 *Insurance*
- A. Owner's responsibilities, if any, with respect to purchasing and maintaining liability and property insurance are set forth in Article 6.
- 9.07 *Change Orders*
- A. Owner's responsibilities with respect to Change Orders are set forth in Article 11.
- 9.08 *Inspections, Tests, and Approvals*
- A. Owner's responsibility with respect to certain inspections, tests, and approvals is set forth in Paragraph 14.02.B.
- 9.09 *Limitations on Owner's Responsibilities*
- A. The Owner shall not supervise, direct, or have control or authority over, nor be responsible for, Contractor's means, methods, techniques, sequences, or procedures of construction, or the safety precautions and programs incident thereto, or for any failure of Contractor to comply with Laws and Regulations applicable to the performance of the Work. Owner will not be responsible for Contractor's failure to perform the Work in accordance with the Contract Documents.
- 9.10 *Undisclosed Hazardous Environmental Condition*
- A. Owner's responsibility in respect to an undisclosed Hazardous Environmental Condition is set forth in Paragraph 5.06.
- 9.11 *Evidence of Financial Arrangements*
- A. Upon request of Contractor, Owner shall furnish Contractor reasonable evidence that financial arrangements have been made to satisfy Owner's obligations under the Contract (including obligations under proposed changes in the Work).
- 9.12 *Safety Programs*
- A. While at the Site, Owner's employees and representatives shall comply with the specific applicable requirements of Contractor's safety programs of which Owner has been informed.
 - B. Owner shall furnish copies of any applicable Owner safety programs to Contractor.

ARTICLE 10—ENGINEER'S STATUS DURING CONSTRUCTION

10.01 *Owner's Representative*

- A. Engineer will be Owner's representative during the construction period. The duties and responsibilities and the limitations of authority of Engineer as Owner's representative during construction are set forth in the Contract.

10.02 *Visits to Site*

- A. Engineer will make visits to the Site at intervals appropriate to the various stages of construction as Engineer deems necessary in order to observe, as an experienced and qualified design professional, the progress that has been made and the quality of the various aspects of Contractor's executed Work. Based on information obtained during such visits and observations, Engineer, for the benefit of Owner, will determine, in general, if the Work is proceeding in accordance with the Contract Documents. Engineer will not be required to make exhaustive or continuous inspections on the Site to check the quality or quantity of the Work. Engineer's efforts will be directed toward providing for Owner a greater degree of confidence that the completed Work will conform generally to the Contract Documents. On the basis of such visits and observations, Engineer will keep Owner informed of the progress of the Work and will endeavor to guard Owner against defective Work.
- B. Engineer's visits and observations are subject to all the limitations on Engineer's authority and responsibility set forth in Paragraph 10.07. Particularly, but without limitation, during or as a result of Engineer's visits or observations of Contractor's Work, Engineer will not supervise, direct, control, or have authority over or be responsible for Contractor's means, methods, techniques, sequences, or procedures of construction, or the safety precautions and programs incident thereto, or for any failure of Contractor to comply with Laws and Regulations applicable to the performance of the Work.

10.03 *Resident Project Representative*

- A. If Owner and Engineer have agreed that Engineer will furnish a Resident Project Representative to represent Engineer at the Site and assist Engineer in observing the progress and quality of the Work, then the authority and responsibilities of any such Resident Project Representative will be as provided in the Supplementary Conditions, and limitations on the responsibilities thereof will be as provided in the Supplementary Conditions and in Paragraph 10.07.
- B. If Owner designates an individual or entity who is not Engineer's consultant, agent, or employee to represent Owner at the Site, then the responsibilities and authority of such individual or entity will be as provided in the Supplementary Conditions.

10.04 *Engineer's Authority*

- A. Engineer has the authority to reject Work in accordance with Article 14.
- B. Engineer's authority as to Submittals is set forth in Paragraph 7.16.
- C. Engineer's authority as to design drawings, calculations, specifications, certifications and other Submittals from Contractor in response to Owner's delegation (if any) to Contractor of professional design services, is set forth in Paragraph 7.19.
- D. Engineer's authority as to changes in the Work is set forth in Article 11.

E. Engineer's authority as to Applications for Payment is set forth in Article 15.

10.05 *Determinations for Unit Price Work*

A. Engineer will determine the actual quantities and classifications of Unit Price Work performed by Contractor as set forth in Paragraph 13.03.

10.06 *Decisions on Requirements of Contract Documents and Acceptability of Work*

A. Engineer will render decisions regarding the requirements of the Contract Documents, and judge the acceptability of the Work, pursuant to the specific procedures set forth herein for initial interpretations, Change Proposals, and acceptance of the Work. In rendering such decisions and judgments, Engineer will not show partiality to Owner or Contractor, and will not be liable to Owner, Contractor, or others in connection with any proceedings, interpretations, decisions, or judgments conducted or rendered in good faith.

10.07 *Limitations on Engineer's Authority and Responsibilities*

A. Neither Engineer's authority or responsibility under this Article 10 or under any other provision of the Contract, nor any decision made by Engineer in good faith either to exercise or not exercise such authority or responsibility or the undertaking, exercise, or performance of any authority or responsibility by Engineer, will create, impose, or give rise to any duty in contract, tort, or otherwise owed by Engineer to Contractor, any Subcontractor, any Supplier, any other individual or entity, or to any surety for or employee or agent of any of them.

B. Engineer will not supervise, direct, control, or have authority over or be responsible for Contractor's means, methods, techniques, sequences, or procedures of construction, or the safety precautions and programs incident thereto, or for any failure of Contractor to comply with Laws and Regulations applicable to the performance of the Work. Engineer will not be responsible for Contractor's failure to perform the Work in accordance with the Contract Documents.

C. Engineer will not be responsible for the acts or omissions of Contractor or of any Subcontractor, any Supplier, or of any other individual or entity performing any of the Work.

D. Engineer's review of the final Application for Payment and accompanying documentation, and all maintenance and operating instructions, schedules, guarantees, bonds, certificates of inspection, tests and approvals, and other documentation required to be delivered by Contractor under Paragraph 15.06.A, will only be to determine generally that their content complies with the requirements of, and in the case of certificates of inspections, tests, and approvals, that the results certified indicate compliance with the Contract Documents.

E. The limitations upon authority and responsibility set forth in this Paragraph 10.07 also apply to the Resident Project Representative, if any.

10.08 *Compliance with Safety Program*

A. While at the Site, Engineer's employees and representatives will comply with the specific applicable requirements of Owner's and Contractor's safety programs of which Engineer has been informed.

ARTICLE 11—CHANGES TO THE CONTRACT

11.01 *Amending and Supplementing the Contract*

- A. The Contract may be amended or supplemented by a Change Order, a Work Change Directive, or a Field Order.
- B. If an amendment or supplement to the Contract includes a change in the Contract Price or the Contract Times, such amendment or supplement must be set forth in a Change Order.
- C. All changes to the Contract that involve (1) the performance or acceptability of the Work, (2) the design (as set forth in the Drawings, Specifications, or otherwise), or (3) other engineering or technical matters, must be supported by Engineer's recommendation. Owner and Contractor may amend other terms and conditions of the Contract without the recommendation of the Engineer.

11.02 *Change Orders*

- A. Owner and Contractor shall execute appropriate Change Orders covering:
 - 1. Changes in Contract Price or Contract Times which are agreed to by the parties, including any undisputed sum or amount of time for Work actually performed in accordance with a Work Change Directive;
 - 2. Changes in Contract Price resulting from an Owner set-off, unless Contractor has duly contested such set-off;
 - 3. Changes in the Work which are: (a) ordered by Owner pursuant to Paragraph 11.05, (b) required because of Owner's acceptance of defective Work under Paragraph 14.04 or Owner's correction of defective Work under Paragraph 14.07, or (c) agreed to by the parties, subject to the need for Engineer's recommendation if the change in the Work involves the design (as set forth in the Drawings, Specifications, or otherwise) or other engineering or technical matters; and
 - 4. Changes that embody the substance of any final and binding results under: Paragraph 11.03.B, resolving the impact of a Work Change Directive; Paragraph 11.09, concerning Change Proposals; Article 12, Claims; Paragraph 13.02.D, final adjustments resulting from allowances; Paragraph 13.03.D, final adjustments relating to determination of quantities for Unit Price Work; and similar provisions.
- B. If Owner or Contractor refuses to execute a Change Order that is required to be executed under the terms of Paragraph 11.02.A, it will be deemed to be of full force and effect, as if fully executed.

11.03 *Work Change Directives*

- A. A Work Change Directive will not change the Contract Price or the Contract Times but is evidence that the parties expect that the modification ordered or documented by a Work Change Directive will be incorporated in a subsequently issued Change Order, following negotiations by the parties as to the Work Change Directive's effect, if any, on the Contract Price and Contract Times; or, if negotiations are unsuccessful, by a determination under the terms of the Contract Documents governing adjustments, expressly including Paragraph 11.07 regarding change of Contract Price.

- B. If Owner has issued a Work Change Directive and:
 - 1. Contractor believes that an adjustment in Contract Times or Contract Price is necessary, then Contractor shall submit any Change Proposal seeking such an adjustment no later than 30 days after the completion of the Work set out in the Work Change Directive.
 - 2. Owner believes that an adjustment in Contract Times or Contract Price is necessary, then Owner shall submit any Claim seeking such an adjustment no later than 60 days after issuance of the Work Change Directive.

11.04 *Field Orders*

- A. Engineer may authorize minor changes in the Work if the changes do not involve an adjustment in the Contract Price or the Contract Times and are compatible with the design concept of the completed Project as a functioning whole as indicated by the Contract Documents. Such changes will be accomplished by a Field Order and will be binding on Owner and also on Contractor, which shall perform the Work involved promptly.
- B. If Contractor believes that a Field Order justifies an adjustment in the Contract Price or Contract Times, then before proceeding with the Work at issue, Contractor shall submit a Change Proposal as provided herein.

11.05 *Owner-Authorized Changes in the Work*

- A. Without invalidating the Contract and without notice to any surety, Owner may, at any time or from time to time, order additions, deletions, or revisions in the Work. Changes involving the design (as set forth in the Drawings, Specifications, or otherwise) or other engineering or technical matters will be supported by Engineer's recommendation.
- B. Such changes in the Work may be accomplished by a Change Order, if Owner and Contractor have agreed as to the effect, if any, of the changes on Contract Times or Contract Price; or by a Work Change Directive. Upon receipt of any such document, Contractor shall promptly proceed with the Work involved; or, in the case of a deletion in the Work, promptly cease construction activities with respect to such deleted Work. Added or revised Work must be performed under the applicable conditions of the Contract Documents.
- C. Nothing in this Paragraph 11.05 obligates Contractor to undertake work that Contractor reasonably concludes cannot be performed in a manner consistent with Contractor's safety obligations under the Contract Documents or Laws and Regulations.

11.06 *Unauthorized Changes in the Work*

- A. Contractor shall not be entitled to an increase in the Contract Price or an extension of the Contract Times with respect to any work performed that is not required by the Contract Documents, as amended, modified, or supplemented, except in the case of an emergency as provided in Paragraph 7.15 or in the case of uncovering Work as provided in Paragraph 14.05.C.2.

11.07 *Change of Contract Price*

- A. The Contract Price may only be changed by a Change Order. Any Change Proposal for an adjustment in the Contract Price must comply with the provisions of Paragraph 11.09. Any Claim for an adjustment of Contract Price must comply with the provisions of Article 12.
- B. An adjustment in the Contract Price will be determined as follows:

1. Where the Work involved is covered by unit prices contained in the Contract Documents, then by application of such unit prices to the quantities of the items involved (subject to the provisions of Paragraph 13.03);
 2. Where the Work involved is not covered by unit prices contained in the Contract Documents, then by a mutually agreed lump sum (which may include an allowance for overhead and profit not necessarily in accordance with Paragraph 11.07.C.2); or
 3. Where the Work involved is not covered by unit prices contained in the Contract Documents and the parties do not reach mutual agreement to a lump sum, then on the basis of the Cost of the Work (determined as provided in Paragraph 13.01) plus a Contractor's fee for overhead and profit (determined as provided in Paragraph 11.07.C).
- C. *Contractor's Fee:* When applicable, the Contractor's fee for overhead and profit will be determined as follows:
1. A mutually acceptable fixed fee; or
 2. If a fixed fee is not agreed upon, then a fee based on the following percentages of the various portions of the Cost of the Work:
 - a. For costs incurred under Paragraphs 13.01.B.1 and 13.01.B.2, the Contractor's fee will be 15 percent;
 - b. For costs incurred under Paragraph 13.01.B.3, the Contractor's fee will be 5 percent;
 - c. Where one or more tiers of subcontracts are on the basis of Cost of the Work plus a fee and no fixed fee is agreed upon, the intent of Paragraphs 11.07.C.2.a and 11.07.C.2.b is that the Contractor's fee will be based on: (1) a fee of 15 percent of the costs incurred under Paragraphs 13.01.B.1 and 13.01.B.2 by the Subcontractor that actually performs the Work, at whatever tier, and (2) with respect to Contractor itself and to any Subcontractors of a tier higher than that of the Subcontractor that actually performs the Work, a fee of 5 percent of the amount (fee plus underlying costs incurred) attributable to the next lower tier Subcontractor; provided, however, that for any such subcontracted Work the maximum total fee to be paid by Owner will be no greater than 27 percent of the costs incurred by the Subcontractor that actually performs the Work;
 - d. No fee will be payable on the basis of costs itemized under Paragraphs 13.01.B.4, 13.01.B.5, and 13.01.C;
 - e. The amount of credit to be allowed by Contractor to Owner for any change which results in a net decrease in Cost of the Work will be the amount of the actual net decrease in Cost of the Work and a deduction of an additional amount equal to 5 percent of such actual net decrease in Cost of the Work; and
 - f. When both additions and credits are involved in any one change or Change Proposal, the adjustment in Contractor's fee will be computed by determining the sum of the costs in each of the cost categories in Paragraph 13.01.B (specifically, payroll costs, Paragraph 13.01.B.1; incorporated materials and equipment costs, Paragraph 13.01.B.2; Subcontract costs, Paragraph 13.01.B.3; special consultants costs, Paragraph 13.01.B.4; and other costs, Paragraph 13.01.B.5) and applying to each such cost category sum the appropriate fee from Paragraphs 11.07.C.2.a through 11.07.C.2.e, inclusive.

11.08 *Change of Contract Times*

- A. The Contract Times may only be changed by a Change Order. Any Change Proposal for an adjustment in the Contract Times must comply with the provisions of Paragraph 11.09. Any Claim for an adjustment in the Contract Times must comply with the provisions of Article 12.
- B. Delay, disruption, and interference in the Work, and any related changes in Contract Times, are addressed in and governed by Paragraph 4.05.

11.09 *Change Proposals*

- A. *Purpose and Content:* Contractor shall submit a Change Proposal to Engineer to request an adjustment in the Contract Times or Contract Price; contest an initial decision by Engineer concerning the requirements of the Contract Documents or relating to the acceptability of the Work under the Contract Documents; challenge a set-off against payment due; or seek other relief under the Contract. The Change Proposal will specify any proposed change in Contract Times or Contract Price, or other proposed relief, and explain the reason for the proposed change, with citations to any governing or applicable provisions of the Contract Documents. Each Change Proposal will address only one issue, or a set of closely related issues.

B. *Change Proposal Procedures*

1. *Submittal:* Contractor shall submit each Change Proposal to Engineer within 30 days after the start of the event giving rise thereto, or after such initial decision.
2. *Supporting Data:* The Contractor shall submit supporting data, including the proposed change in Contract Price or Contract Time (if any), to the Engineer and Owner within 15 days after the submittal of the Change Proposal.
 - a. Change Proposals based on or related to delay, interruption, or interference must comply with the provisions of Paragraphs 4.05.D and 4.05.E.
 - b. Change proposals related to a change of Contract Price must include full and detailed accounts of materials incorporated into the Work and labor and equipment used for the subject Work.

The supporting data must be accompanied by a written statement that the supporting data are accurate and complete, and that any requested time or price adjustment is the entire adjustment to which Contractor believes it is entitled as a result of said event.

3. *Engineer's Initial Review:* Engineer will advise Owner regarding the Change Proposal, and consider any comments or response from Owner regarding the Change Proposal. If in its discretion Engineer concludes that additional supporting data is needed before conducting a full review and making a decision regarding the Change Proposal, then Engineer may request that Contractor submit such additional supporting data by a date specified by Engineer, prior to Engineer beginning its full review of the Change Proposal.
4. *Engineer's Full Review and Action on the Change Proposal:* Upon receipt of Contractor's supporting data (including any additional data requested by Engineer), Engineer will conduct a full review of each Change Proposal and, within 30 days after such receipt of the Contractor's supporting data, either approve the Change Proposal in whole, deny it in whole, or approve it in part and deny it in part. Such actions must be in writing, with a copy provided to Owner and Contractor. If Engineer does not take action on the Change

Proposal within 30 days, then either Owner or Contractor may at any time thereafter submit a letter to the other party indicating that as a result of Engineer's inaction the Change Proposal is deemed denied, thereby commencing the time for appeal of the denial under Article 12.

5. *Binding Decision*: Engineer's decision is final and binding upon Owner and Contractor, unless Owner or Contractor appeals the decision by filing a Claim under Article 12.
- C. *Resolution of Certain Change Proposals*: If the Change Proposal does not involve the design (as set forth in the Drawings, Specifications, or otherwise), the acceptability of the Work, or other engineering or technical matters, then Engineer will notify the parties in writing that the Engineer is unable to resolve the Change Proposal. For purposes of further resolution of such a Change Proposal, such notice will be deemed a denial, and Contractor may choose to seek resolution under the terms of Article 12.
- D. *Post-Completion*: Contractor shall not submit any Change Proposals after Engineer issues a written recommendation of final payment pursuant to Paragraph 15.06.B.

11.10 *Notification to Surety*

- A. If the provisions of any bond require notice to be given to a surety of any change affecting the general scope of the Work or the provisions of the Contract Documents (including, but not limited to, Contract Price or Contract Times), the giving of any such notice will be Contractor's responsibility. The amount of each applicable bond will be adjusted to reflect the effect of any such change.

ARTICLE 12—CLAIMS

12.01 *Claims*

- A. *Claims Process*: The following disputes between Owner and Contractor are subject to the Claims process set forth in this article:
 1. Appeals by Owner or Contractor of Engineer's decisions regarding Change Proposals;
 2. Owner demands for adjustments in the Contract Price or Contract Times, or other relief under the Contract Documents;
 3. Disputes that Engineer has been unable to address because they do not involve the design (as set forth in the Drawings, Specifications, or otherwise), the acceptability of the Work, or other engineering or technical matters; and
 4. Subject to the waiver provisions of Paragraph 15.07, any dispute arising after Engineer has issued a written recommendation of final payment pursuant to Paragraph 15.06.B.
- B. *Submittal of Claim*: The party submitting a Claim shall deliver it directly to the other party to the Contract promptly (but in no event later than 30 days) after the start of the event giving rise thereto; in the case of appeals regarding Change Proposals within 30 days of the decision under appeal. The party submitting the Claim shall also furnish a copy to the Engineer, for its information only. The responsibility to substantiate a Claim rests with the party making the Claim. In the case of a Claim by Contractor seeking an increase in the Contract Times or Contract Price, Contractor shall certify that the Claim is made in good faith, that the supporting data are accurate and complete, and that to the best of Contractor's knowledge

and belief the amount of time or money requested accurately reflects the full amount to which Contractor is entitled.

- C. *Review and Resolution*: The party receiving a Claim shall review it thoroughly, giving full consideration to its merits. The two parties shall seek to resolve the Claim through the exchange of information and direct negotiations. The parties may extend the time for resolving the Claim by mutual agreement. All actions taken on a Claim will be stated in writing and submitted to the other party, with a copy to Engineer.
- D. *Mediation*
 - 1. At any time after initiation of a Claim, Owner and Contractor may mutually agree to mediation of the underlying dispute. The agreement to mediate will stay the Claim submittal and response process.
 - 2. If Owner and Contractor agree to mediation, then after 60 days from such agreement, either Owner or Contractor may unilaterally terminate the mediation process, and the Claim submittal and decision process will resume as of the date of the termination. If the mediation proceeds but is unsuccessful in resolving the dispute, the Claim submittal and decision process will resume as of the date of the conclusion of the mediation, as determined by the mediator.
 - 3. Owner and Contractor shall each pay one-half of the mediator's fees and costs.
- E. *Partial Approval*: If the party receiving a Claim approves the Claim in part and denies it in part, such action will be final and binding unless within 30 days of such action the other party invokes the procedure set forth in Article 17 for final resolution of disputes.
- F. *Denial of Claim*: If efforts to resolve a Claim are not successful, the party receiving the Claim may deny it by giving written notice of denial to the other party. If the receiving party does not take action on the Claim within 90 days, then either Owner or Contractor may at any time thereafter submit a letter to the other party indicating that as a result of the inaction, the Claim is deemed denied, thereby commencing the time for appeal of the denial. A denial of the Claim will be final and binding unless within 30 days of the denial the other party invokes the procedure set forth in Article 17 for the final resolution of disputes.
- G. *Final and Binding Results*: If the parties reach a mutual agreement regarding a Claim, whether through approval of the Claim, direct negotiations, mediation, or otherwise; or if a Claim is approved in part and denied in part, or denied in full, and such actions become final and binding; then the results of the agreement or action on the Claim will be incorporated in a Change Order or other written document to the extent they affect the Contract, including the Work, the Contract Times, or the Contract Price.

ARTICLE 13—COST OF THE WORK; ALLOWANCES; UNIT PRICE WORK

13.01 *Cost of the Work*

- A. *Purposes for Determination of Cost of the Work*: The term Cost of the Work means the sum of all costs necessary for the proper performance of the Work at issue, as further defined below. The provisions of this Paragraph 13.01 are used for two distinct purposes:
 - 1. To determine Cost of the Work when Cost of the Work is a component of the Contract Price, under cost-plus-fee, time-and-materials, or other cost-based terms; or

2. When needed to determine the value of a Change Order, Change Proposal, Claim, set-off, or other adjustment in Contract Price. When the value of any such adjustment is determined on the basis of Cost of the Work, Contractor is entitled only to those additional or incremental costs required because of the change in the Work or because of the event giving rise to the adjustment.
- B. *Costs Included:* Except as otherwise may be agreed to in writing by Owner, costs included in the Cost of the Work will be in amounts no higher than those commonly incurred in the locality of the Project, will not include any of the costs itemized in Paragraph 13.01.C, and will include only the following items:
1. Payroll costs for employees in the direct employ of Contractor in the performance of the Work under schedules of job classifications agreed upon by Owner and Contractor in advance of the subject Work. Such employees include, without limitation, superintendents, foremen, safety managers, safety representatives, and other personnel employed full time on the Work. Payroll costs for employees not employed full time on the Work will be apportioned on the basis of their time spent on the Work. Payroll costs include, but are not limited to, salaries and wages plus the cost of fringe benefits, which include social security contributions, unemployment, excise, and payroll taxes, workers' compensation, health and retirement benefits, sick leave, and vacation and holiday pay applicable thereto. The expenses of performing Work outside of regular working hours, on Saturday, Sunday, or legal holidays, will be included in the above to the extent authorized by Owner.
 2. Cost of all materials and equipment furnished and incorporated in the Work, including costs of transportation and storage thereof, and Suppliers' field services required in connection therewith. All cash discounts accrue to Contractor unless Owner deposits funds with Contractor with which to make payments, in which case the cash discounts will accrue to Owner. All trade discounts, rebates, and refunds and returns from sale of surplus materials and equipment will accrue to Owner, and Contractor shall make provisions so that they may be obtained.
 3. Payments made by Contractor to Subcontractors for Work performed by Subcontractors. If required by Owner, Contractor shall obtain competitive bids from subcontractors acceptable to Owner and Contractor and shall deliver such bids to Owner, which will then determine, with the advice of Engineer, which bids, if any, will be acceptable. If any subcontract provides that the Subcontractor is to be paid on the basis of Cost of the Work plus a fee, the Subcontractor's Cost of the Work and fee will be determined in the same manner as Contractor's Cost of the Work and fee as provided in this Paragraph 13.01.
 4. Costs of special consultants (including but not limited to engineers, architects, testing laboratories, surveyors, attorneys, and accountants) employed or retained for services specifically related to the Work.
 5. Other costs consisting of the following:
 - a. The proportion of necessary transportation, travel, and subsistence expenses of Contractor's employees incurred in discharge of duties connected with the Work.
 - b. Cost, including transportation and maintenance, of all materials, supplies, equipment, machinery, appliances, office, and temporary facilities at the Site, which are

consumed in the performance of the Work, and cost, less market value, of such items used but not consumed which remain the property of Contractor.

- 1) In establishing included costs for materials such as scaffolding, plating, or sheeting, consideration will be given to the actual or the estimated life of the material for use on other projects; or rental rates may be established on the basis of purchase or salvage value of such items, whichever is less. Contractor will not be eligible for compensation for such items in an amount that exceeds the purchase cost of such item.

c. *Construction Equipment Rental*

- 1) Rentals of all construction equipment and machinery, and the parts thereof, in accordance with rental agreements approved by Owner as to price (including any surcharge or special rates applicable to overtime use of the construction equipment or machinery), and the costs of transportation, loading, unloading, assembly, dismantling, and removal thereof. All such costs will be in accordance with the terms of said rental agreements. The rental of any such equipment, machinery, or parts must cease when the use thereof is no longer necessary for the Work.
- 2) Costs for equipment and machinery owned by Contractor or a Contractor-related entity will be paid at a rate shown for such equipment in the equipment rental rate book specified in the Supplementary Conditions. An hourly rate will be computed by dividing the monthly rates by 176. These computed rates will include all operating costs.
- 3) With respect to Work that is the result of a Change Order, Change Proposal, Claim, set-off, or other adjustment in Contract Price ("changed Work"), included costs will be based on the time the equipment or machinery is in use on the changed Work and the costs of transportation, loading, unloading, assembly, dismantling, and removal when directly attributable to the changed Work. The cost of any such equipment or machinery, or parts thereof, must cease to accrue when the use thereof is no longer necessary for the changed Work.

- d. Sales, consumer, use, and other similar taxes related to the Work, and for which Contractor is liable, as imposed by Laws and Regulations.
- e. Deposits lost for causes other than negligence of Contractor, any Subcontractor, or anyone directly or indirectly employed by any of them or for whose acts any of them may be liable, and royalty payments and fees for permits and licenses.
- f. Losses and damages (and related expenses) caused by damage to the Work, not compensated by insurance or otherwise, sustained by Contractor in connection with the performance of the Work (except losses and damages within the deductible amounts of builder's risk or other property insurance established in accordance with Paragraph 6.04), provided such losses and damages have resulted from causes other than the negligence of Contractor, any Subcontractor, or anyone directly or indirectly employed by any of them or for whose acts any of them may be liable. Such losses include settlements made with the written consent and approval of Owner. No such losses, damages, and expenses will be included in the Cost of the Work for the purpose of determining Contractor's fee.

- g. The cost of utilities, fuel, and sanitary facilities at the Site.
- h. Minor expenses such as communication service at the Site, express and courier services, and similar petty cash items in connection with the Work.
- i. The costs of premiums for all bonds and insurance that Contractor is required by the Contract Documents to purchase and maintain.

C. *Costs Excluded*: The term Cost of the Work does not include any of the following items:

- 1. Payroll costs and other compensation of Contractor's officers, executives, principals, general managers, engineers, architects, estimators, attorneys, auditors, accountants, purchasing and contracting agents, expeditors, timekeepers, clerks, and other personnel employed by Contractor, whether at the Site or in Contractor's principal or branch office for general administration of the Work and not specifically included in the agreed upon schedule of job classifications referred to in Paragraph 13.01.B.1 or specifically covered by Paragraph 13.01.B.4. The payroll costs and other compensation excluded here are to be considered administrative costs covered by the Contractor's fee.
- 2. The cost of purchasing, renting, or furnishing small tools and hand tools.
- 3. Expenses of Contractor's principal and branch offices other than Contractor's office at the Site.
- 4. Any part of Contractor's capital expenses, including interest on Contractor's capital employed for the Work and charges against Contractor for delinquent payments.
- 5. Costs due to the negligence of Contractor, any Subcontractor, or anyone directly or indirectly employed by any of them or for whose acts any of them may be liable, including but not limited to, the correction of defective Work, disposal of materials or equipment wrongly supplied, and making good any damage to property.
- 6. Expenses incurred in preparing and advancing Claims.
- 7. Other overhead or general expense costs of any kind and the costs of any item not specifically and expressly included in Paragraph 13.01.B.

D. *Contractor's Fee*

- 1. When the Work as a whole is performed on the basis of cost-plus-a-fee, then:
 - a. Contractor's fee for the Work set forth in the Contract Documents as of the Effective Date of the Contract will be determined as set forth in the Agreement.
 - b. for any Work covered by a Change Order, Change Proposal, Claim, set-off, or other adjustment in Contract Price on the basis of Cost of the Work, Contractor's fee will be determined as follows:
 - 1) When the fee for the Work as a whole is a percentage of the Cost of the Work, the fee will automatically adjust as the Cost of the Work changes.
 - 2) When the fee for the Work as a whole is a fixed fee, the fee for any additions or deletions will be determined in accordance with Paragraph 11.07.C.2.
- 2. When the Work as a whole is performed on the basis of a stipulated sum, or any other basis other than cost-plus-a-fee, then Contractor's fee for any Work covered by a Change

Order, Change Proposal, Claim, set-off, or other adjustment in Contract Price on the basis of Cost of the Work will be determined in accordance with Paragraph 11.07.C.2.

- E. *Documentation and Audit*: Whenever the Cost of the Work for any purpose is to be determined pursuant to this Article 13, Contractor and pertinent Subcontractors will establish and maintain records of the costs in accordance with generally accepted accounting practices. Subject to prior written notice, Owner will be afforded reasonable access, during normal business hours, to all Contractor's accounts, records, books, correspondence, instructions, drawings, receipts, vouchers, memoranda, and similar data relating to the Cost of the Work and Contractor's fee. Contractor shall preserve all such documents for a period of three years after the final payment by Owner. Pertinent Subcontractors will afford such access to Owner, and preserve such documents, to the same extent required of Contractor.

13.02 Allowances

- A. It is understood that Contractor has included in the Contract Price all allowances so named in the Contract Documents and shall cause the Work so covered to be performed for such sums and by such persons or entities as may be acceptable to Owner and Engineer.
- B. *Cash Allowances*: Contractor agrees that:
1. the cash allowances include the cost to Contractor (less any applicable trade discounts) of materials and equipment required by the allowances to be delivered at the Site, and all applicable taxes; and
 2. Contractor's costs for unloading and handling on the Site, labor, installation, overhead, profit, and other expenses contemplated for the cash allowances have been included in the Contract Price and not in the allowances, and no demand for additional payment for any of the foregoing will be valid.
- C. *Owner's Contingency Allowance*: Contractor agrees that an Owner's contingency allowance, if any, is for the sole use of Owner to cover unanticipated costs.
- D. Prior to final payment, an appropriate Change Order will be issued as recommended by Engineer to reflect actual amounts due Contractor for Work covered by allowances, and the Contract Price will be correspondingly adjusted.

13.03 Unit Price Work

- A. Where the Contract Documents provide that all or part of the Work is to be Unit Price Work, initially the Contract Price will be deemed to include for all Unit Price Work an amount equal to the sum of the unit price for each separately identified item of Unit Price Work times the estimated quantity of each item as indicated in the Agreement.
- B. The estimated quantities of items of Unit Price Work are not guaranteed and are solely for the purpose of comparison of Bids and determining an initial Contract Price. Payments to Contractor for Unit Price Work will be based on actual quantities.
- C. Each unit price will be deemed to include an amount considered by Contractor to be adequate to cover Contractor's overhead and profit for each separately identified item.
- D. Engineer will determine the actual quantities and classifications of Unit Price Work performed by Contractor. Engineer will review with Contractor the Engineer's preliminary determinations on such matters before rendering a written decision thereon (by recommendation of an Application for Payment or otherwise). Engineer's written decision

thereon will be final and binding (except as modified by Engineer to reflect changed factual conditions or more accurate data) upon Owner and Contractor, and the final adjustment of Contract Price will be set forth in a Change Order, subject to the provisions of the following paragraph.

E. *Adjustments in Unit Price*

1. Contractor or Owner shall be entitled to an adjustment in the unit price with respect to an item of Unit Price Work if:
 - a. the quantity of the item of Unit Price Work performed by Contractor differs materially and significantly from the estimated quantity of such item indicated in the Agreement; and
 - b. Contractor's unit costs to perform the item of Unit Price Work have changed materially and significantly as a result of the quantity change.
2. The adjustment in unit price will account for and be coordinated with any related changes in quantities of other items of Work, and in Contractor's costs to perform such other Work, such that the resulting overall change in Contract Price is equitable to Owner and Contractor.
3. Adjusted unit prices will apply to all units of that item.

ARTICLE 14—TESTS AND INSPECTIONS; CORRECTION, REMOVAL, OR ACCEPTANCE OF DEFECTIVE WORK

14.01 *Access to Work*

- A. Owner, Engineer, their consultants and other representatives and personnel of Owner, independent testing laboratories, and authorities having jurisdiction have access to the Site and the Work at reasonable times for their observation, inspection, and testing. Contractor shall provide them proper and safe conditions for such access and advise them of Contractor's safety procedures and programs so that they may comply with such procedures and programs as applicable.

14.02 *Tests, Inspections, and Approvals*

- A. Contractor shall give Engineer timely notice of readiness of the Work (or specific parts thereof) for all required inspections and tests, and shall cooperate with inspection and testing personnel to facilitate required inspections and tests.
- B. Owner shall retain and pay for the services of an independent inspector, testing laboratory, or other qualified individual or entity to perform all inspections and tests expressly required by the Contract Documents to be furnished and paid for by Owner, except that costs incurred in connection with tests or inspections of covered Work will be governed by the provisions of Paragraph 14.05.
- C. If Laws or Regulations of any public body having jurisdiction require any Work (or part thereof) specifically to be inspected, tested, or approved by an employee or other representative of such public body, Contractor shall assume full responsibility for arranging and obtaining such inspections, tests, or approvals, pay all costs in connection therewith, and furnish Engineer the required certificates of inspection or approval.

- D. Contractor shall be responsible for arranging, obtaining, and paying for all inspections and tests required:
1. by the Contract Documents, unless the Contract Documents expressly allocate responsibility for a specific inspection or test to Owner;
 2. to attain Owner's and Engineer's acceptance of materials or equipment to be incorporated in the Work;
 3. by manufacturers of equipment furnished under the Contract Documents;
 4. for testing, adjusting, and balancing of mechanical, electrical, and other equipment to be incorporated into the Work; and
 5. for acceptance of materials, mix designs, or equipment submitted for approval prior to Contractor's purchase thereof for incorporation in the Work.

Such inspections and tests will be performed by independent inspectors, testing laboratories, or other qualified individuals or entities acceptable to Owner and Engineer.

- E. If the Contract Documents require the Work (or part thereof) to be approved by Owner, Engineer, or another designated individual or entity, then Contractor shall assume full responsibility for arranging and obtaining such approvals.
- F. If any Work (or the work of others) that is to be inspected, tested, or approved is covered by Contractor without written concurrence of Engineer, Contractor shall, if requested by Engineer, uncover such Work for observation. Such uncovering will be at Contractor's expense unless Contractor had given Engineer timely notice of Contractor's intention to cover the same and Engineer had not acted with reasonable promptness in response to such notice.

14.03 *Defective Work*

- A. *Contractor's Obligation:* It is Contractor's obligation to assure that the Work is not defective.
- B. *Engineer's Authority:* Engineer has the authority to determine whether Work is defective, and to reject defective Work.
- C. *Notice of Defects:* Prompt written notice of all defective Work of which Owner or Engineer has actual knowledge will be given to Contractor.
- D. *Correction, or Removal and Replacement:* Promptly after receipt of written notice of defective Work, Contractor shall correct all such defective Work, whether or not fabricated, installed, or completed, or, if Engineer has rejected the defective Work, remove it from the Project and replace it with Work that is not defective.
- E. *Preservation of Warranties:* When correcting defective Work, Contractor shall take no action that would void or otherwise impair Owner's special warranty and guarantee, if any, on said Work.
- F. *Costs and Damages:* In addition to its correction, removal, and replacement obligations with respect to defective Work, Contractor shall pay all claims, costs, losses, and damages arising out of or relating to defective Work, including but not limited to the cost of the inspection, testing, correction, removal, replacement, or reconstruction of such defective Work, fines levied against Owner by governmental authorities because the Work is defective, and the costs of repair or replacement of work of others resulting from defective Work. Prior to final payment, if Owner and Contractor are unable to agree as to the measure of such claims, costs,

losses, and damages resulting from defective Work, then Owner may impose a reasonable set-off against payments due under Article 15.

14.04 *Acceptance of Defective Work*

- A. If, instead of requiring correction or removal and replacement of defective Work, Owner prefers to accept it, Owner may do so (subject, if such acceptance occurs prior to final payment, to Engineer's confirmation that such acceptance is in general accord with the design intent and applicable engineering principles, and will not endanger public safety). Contractor shall pay all claims, costs, losses, and damages attributable to Owner's evaluation of and determination to accept such defective Work (such costs to be approved by Engineer as to reasonableness), and for the diminished value of the Work to the extent not otherwise paid by Contractor. If any such acceptance occurs prior to final payment, the necessary revisions in the Contract Documents with respect to the Work will be incorporated in a Change Order. If the parties are unable to agree as to the decrease in the Contract Price, reflecting the diminished value of Work so accepted, then Owner may impose a reasonable set-off against payments due under Article 15. If the acceptance of defective Work occurs after final payment, Contractor shall pay an appropriate amount to Owner.

14.05 *Uncovering Work*

- A. Engineer has the authority to require additional inspection or testing of the Work, whether or not the Work is fabricated, installed, or completed.
- B. If any Work is covered contrary to the written request of Engineer, then Contractor shall, if requested by Engineer, uncover such Work for Engineer's observation, and then replace the covering, all at Contractor's expense.
- C. If Engineer considers it necessary or advisable that covered Work be observed by Engineer or inspected or tested by others, then Contractor, at Engineer's request, shall uncover, expose, or otherwise make available for observation, inspection, or testing as Engineer may require, that portion of the Work in question, and provide all necessary labor, material, and equipment.
 - 1. If it is found that the uncovered Work is defective, Contractor shall be responsible for all claims, costs, losses, and damages arising out of or relating to such uncovering, exposure, observation, inspection, and testing, and of satisfactory replacement or reconstruction (including but not limited to all costs of repair or replacement of work of others); and pending Contractor's full discharge of this responsibility the Owner shall be entitled to impose a reasonable set-off against payments due under Article 15.
 - 2. If the uncovered Work is not found to be defective, Contractor shall be allowed an increase in the Contract Price or an extension of the Contract Times, directly attributable to such uncovering, exposure, observation, inspection, testing, replacement, and reconstruction. If the parties are unable to agree as to the amount or extent thereof, then Contractor may submit a Change Proposal within 30 days of the determination that the Work is not defective.

14.06 *Owner May Stop the Work*

- A. If the Work is defective, or Contractor fails to supply sufficient skilled workers or suitable materials or equipment, or fails to perform the Work in such a way that the completed Work will conform to the Contract Documents, then Owner may order Contractor to stop the Work,

or any portion thereof, until the cause for such order has been eliminated; however, this right of Owner to stop the Work will not give rise to any duty on the part of Owner to exercise this right for the benefit of Contractor, any Subcontractor, any Supplier, any other individual or entity, or any surety for, or employee or agent of any of them.

14.07 Owner May Correct Defective Work

- A. If Contractor fails within a reasonable time after written notice from Engineer to correct defective Work, or to remove and replace defective Work as required by Engineer, then Owner may, after 7 days' written notice to Contractor, correct or remedy any such deficiency.
- B. In exercising the rights and remedies under this Paragraph 14.07, Owner shall proceed expeditiously. In connection with such corrective or remedial action, Owner may exclude Contractor from all or part of the Site, take possession of all or part of the Work and suspend Contractor's services related thereto, and incorporate in the Work all materials and equipment stored at the Site or for which Owner has paid Contractor but which are stored elsewhere. Contractor shall allow Owner, Owner's representatives, agents and employees, Owner's other contractors, and Engineer and Engineer's consultants access to the Site to enable Owner to exercise the rights and remedies under this paragraph.
- C. All claims, costs, losses, and damages incurred or sustained by Owner in exercising the rights and remedies under this Paragraph 14.07 will be charged against Contractor as set-offs against payments due under Article 15. Such claims, costs, losses and damages will include but not be limited to all costs of repair, or replacement of work of others destroyed or damaged by correction, removal, or replacement of Contractor's defective Work.
- D. Contractor shall not be allowed an extension of the Contract Times because of any delay in the performance of the Work attributable to the exercise by Owner of Owner's rights and remedies under this Paragraph 14.07.

ARTICLE 15—PAYMENTS TO CONTRACTOR; SET-OFFS; COMPLETION; CORRECTION PERIOD

15.01 Progress Payments

- A. *Basis for Progress Payments:* The Schedule of Values established as provided in Article 2 will serve as the basis for progress payments and will be incorporated into a form of Application for Payment acceptable to Engineer. Progress payments for Unit Price Work will be based on the number of units completed during the pay period, as determined under the provisions of Paragraph 13.03. Progress payments for cost-based Work will be based on Cost of the Work completed by Contractor during the pay period.
- B. *Applications for Payments*
 - 1. At least 20 days before the date established in the Agreement for each progress payment (but not more often than once a month), Contractor shall submit to Engineer for review an Application for Payment filled out and signed by Contractor covering the Work completed as of the date of the Application and accompanied by such supporting documentation as is required by the Contract Documents.
 - 2. If payment is requested on the basis of materials and equipment not incorporated in the Work but delivered and suitably stored at the Site or at another location agreed to in writing, the Application for Payment must also be accompanied by: (a) a bill of sale, invoice, copies of subcontract or purchase order payments, or other documentation

establishing full payment by Contractor for the materials and equipment; (b) at Owner's request, documentation warranting that Owner has received the materials and equipment free and clear of all Liens; and (c) evidence that the materials and equipment are covered by appropriate property insurance, a warehouse bond, or other arrangements to protect Owner's interest therein, all of which must be satisfactory to Owner.

3. Beginning with the second Application for Payment, each Application must include an affidavit of Contractor stating that all previous progress payments received by Contractor have been applied to discharge Contractor's legitimate obligations associated with prior Applications for Payment.
4. The amount of retainage with respect to progress payments will be as stipulated in the Agreement.

C. *Review of Applications*

1. Engineer will, within 10 days after receipt of each Application for Payment, including each resubmittal, either indicate in writing a recommendation of payment and present the Application to Owner, or return the Application to Contractor indicating in writing Engineer's reasons for refusing to recommend payment. In the latter case, Contractor may make the necessary corrections and resubmit the Application.
2. Engineer's recommendation of any payment requested in an Application for Payment will constitute a representation by Engineer to Owner, based on Engineer's observations of the executed Work as an experienced and qualified design professional, and on Engineer's review of the Application for Payment and the accompanying data and schedules, that to the best of Engineer's knowledge, information and belief:
 - a. the Work has progressed to the point indicated;
 - b. the quality of the Work is generally in accordance with the Contract Documents (subject to an evaluation of the Work as a functioning whole prior to or upon Substantial Completion, the results of any subsequent tests called for in the Contract Documents, a final determination of quantities and classifications for Unit Price Work under Paragraph 13.03, and any other qualifications stated in the recommendation); and
 - c. the conditions precedent to Contractor's being entitled to such payment appear to have been fulfilled in so far as it is Engineer's responsibility to observe the Work.
3. By recommending any such payment Engineer will not thereby be deemed to have represented that:
 - a. inspections made to check the quality or the quantity of the Work as it has been performed have been exhaustive, extended to every aspect of the Work in progress, or involved detailed inspections of the Work beyond the responsibilities specifically assigned to Engineer in the Contract; or
 - b. there may not be other matters or issues between the parties that might entitle Contractor to be paid additionally by Owner or entitle Owner to withhold payment to Contractor.

4. Neither Engineer's review of Contractor's Work for the purposes of recommending payments nor Engineer's recommendation of any payment, including final payment, will impose responsibility on Engineer:
 - a. to supervise, direct, or control the Work;
 - b. for the means, methods, techniques, sequences, or procedures of construction, or the safety precautions and programs incident thereto;
 - c. for Contractor's failure to comply with Laws and Regulations applicable to Contractor's performance of the Work;
 - d. to make any examination to ascertain how or for what purposes Contractor has used the money paid by Owner; or
 - e. to determine that title to any of the Work, materials, or equipment has passed to Owner free and clear of any Liens.
 5. Engineer may refuse to recommend the whole or any part of any payment if, in Engineer's opinion, it would be incorrect to make the representations to Owner stated in Paragraph 15.01.C.2.
 6. Engineer will recommend reductions in payment (set-offs) necessary in Engineer's opinion to protect Owner from loss because:
 - a. the Work is defective, requiring correction or replacement;
 - b. the Contract Price has been reduced by Change Orders;
 - c. Owner has been required to correct defective Work in accordance with Paragraph 14.07, or has accepted defective Work pursuant to Paragraph 14.04;
 - d. Owner has been required to remove or remediate a Hazardous Environmental Condition for which Contractor is responsible; or
 - e. Engineer has actual knowledge of the occurrence of any of the events that would constitute a default by Contractor and therefore justify termination for cause under the Contract Documents.
- D. *Payment Becomes Due*
1. Ten days after presentation of the Application for Payment to Owner with Engineer's recommendation, the amount recommended (subject to any Owner set-offs) will become due, and when due will be paid by Owner to Contractor.
- E. *Reductions in Payment by Owner*
1. In addition to any reductions in payment (set-offs) recommended by Engineer, Owner is entitled to impose a set-off against payment based on any of the following:
 - a. Claims have been made against Owner based on Contractor's conduct in the performance or furnishing of the Work, or Owner has incurred costs, losses, or damages resulting from Contractor's conduct in the performance or furnishing of the Work, including but not limited to claims, costs, losses, or damages from workplace injuries, adjacent property damage, non-compliance with Laws and Regulations, and patent infringement;

- b. Contractor has failed to take reasonable and customary measures to avoid damage, delay, disruption, and interference with other work at or adjacent to the Site;
 - c. Contractor has failed to provide and maintain required bonds or insurance;
 - d. Owner has been required to remove or remediate a Hazardous Environmental Condition for which Contractor is responsible;
 - e. Owner has incurred extra charges or engineering costs related to submittal reviews, evaluations of proposed substitutes, tests and inspections, or return visits to manufacturing or assembly facilities;
 - f. The Work is defective, requiring correction or replacement;
 - g. Owner has been required to correct defective Work in accordance with Paragraph 14.07, or has accepted defective Work pursuant to Paragraph 14.04;
 - h. The Contract Price has been reduced by Change Orders;
 - i. An event has occurred that would constitute a default by Contractor and therefore justify a termination for cause;
 - j. Liquidated or other damages have accrued as a result of Contractor's failure to achieve Milestones, Substantial Completion, or final completion of the Work;
 - k. Liens have been filed in connection with the Work, except where Contractor has delivered a specific bond satisfactory to Owner to secure the satisfaction and discharge of such Liens; or
 - l. Other items entitle Owner to a set-off against the amount recommended.
2. If Owner imposes any set-off against payment, whether based on its own knowledge or on the written recommendations of Engineer, Owner will give Contractor immediate written notice (with a copy to Engineer) stating the reasons for such action and the specific amount of the reduction, and promptly pay Contractor any amount remaining after deduction of the amount so withheld. Owner shall promptly pay Contractor the amount so withheld, or any adjustment thereto agreed to by Owner and Contractor, if Contractor remedies the reasons for such action. The reduction imposed will be binding on Contractor unless it duly submits a Change Proposal contesting the reduction.
 3. Upon a subsequent determination that Owner's refusal of payment was not justified, the amount wrongfully withheld will be treated as an amount due as determined by Paragraph 15.01.D.1 and subject to interest as provided in the Agreement.

15.02 *Contractor's Warranty of Title*

- A. Contractor warrants and guarantees that title to all Work, materials, and equipment furnished under the Contract will pass to Owner free and clear of (1) all Liens and other title defects, and (2) all patent, licensing, copyright, or royalty obligations, no later than 7 days after the time of payment by Owner.

15.03 *Substantial Completion*

- A. When Contractor considers the entire Work ready for its intended use Contractor shall notify Owner and Engineer in writing that the entire Work is substantially complete and request that Engineer issue a certificate of Substantial Completion. Contractor shall at the same time

submit to Owner and Engineer an initial draft of punch list items to be completed or corrected before final payment.

- B. Promptly after Contractor's notification, Owner, Contractor, and Engineer shall make an inspection of the Work to determine the status of completion. If Engineer does not consider the Work substantially complete, Engineer will notify Contractor in writing giving the reasons therefor.
- C. If Engineer considers the Work substantially complete, Engineer will deliver to Owner a preliminary certificate of Substantial Completion which will fix the date of Substantial Completion. Engineer shall attach to the certificate a punch list of items to be completed or corrected before final payment. Owner shall have 7 days after receipt of the preliminary certificate during which to make written objection to Engineer as to any provisions of the certificate or attached punch list. If, after considering the objections to the provisions of the preliminary certificate, Engineer concludes that the Work is not substantially complete, Engineer will, within 14 days after submission of the preliminary certificate to Owner, notify Contractor in writing that the Work is not substantially complete, stating the reasons therefor. If Owner does not object to the provisions of the certificate, or if despite consideration of Owner's objections Engineer concludes that the Work is substantially complete, then Engineer will, within said 14 days, execute and deliver to Owner and Contractor a final certificate of Substantial Completion (with a revised punch list of items to be completed or corrected) reflecting such changes from the preliminary certificate as Engineer believes justified after consideration of any objections from Owner.
- D. At the time of receipt of the preliminary certificate of Substantial Completion, Owner and Contractor will confer regarding Owner's use or occupancy of the Work following Substantial Completion, review the builder's risk insurance policy with respect to the end of the builder's risk coverage, and confirm the transition to coverage of the Work under a permanent property insurance policy held by Owner. Unless Owner and Contractor agree otherwise in writing, Owner shall bear responsibility for security, operation, protection of the Work, property insurance, maintenance, heat, and utilities upon Owner's use or occupancy of the Work.
- E. After Substantial Completion the Contractor shall promptly begin work on the punch list of items to be completed or corrected prior to final payment. In appropriate cases Contractor may submit monthly Applications for Payment for completed punch list items, following the progress payment procedures set forth above.
- F. Owner shall have the right to exclude Contractor from the Site after the date of Substantial Completion subject to allowing Contractor reasonable access to remove its property and complete or correct items on the punch list.

15.04 *Partial Use or Occupancy*

- A. Prior to Substantial Completion of all the Work, Owner may use or occupy any substantially completed part of the Work which has specifically been identified in the Contract Documents, or which Owner, Engineer, and Contractor agree constitutes a separately functioning and usable part of the Work that can be used by Owner for its intended purpose without

significant interference with Contractor's performance of the remainder of the Work, subject to the following conditions:

1. At any time, Owner may request in writing that Contractor permit Owner to use or occupy any such part of the Work that Owner believes to be substantially complete. If and when Contractor agrees that such part of the Work is substantially complete, Contractor, Owner, and Engineer will follow the procedures of Paragraph 15.03.A through 15.03.E for that part of the Work.
2. At any time, Contractor may notify Owner and Engineer in writing that Contractor considers any such part of the Work substantially complete and request Engineer to issue a certificate of Substantial Completion for that part of the Work.
3. Within a reasonable time after either such request, Owner, Contractor, and Engineer shall make an inspection of that part of the Work to determine its status of completion. If Engineer does not consider that part of the Work to be substantially complete, Engineer will notify Owner and Contractor in writing giving the reasons therefor. If Engineer considers that part of the Work to be substantially complete, the provisions of Paragraph 15.03 will apply with respect to certification of Substantial Completion of that part of the Work and the division of responsibility in respect thereof and access thereto.
4. No use or occupancy or separate operation of part of the Work may occur prior to compliance with the requirements of Paragraph 6.04 regarding builder's risk or other property insurance.

15.05 *Final Inspection*

- A. Upon written notice from Contractor that the entire Work or an agreed portion thereof is complete, Engineer will promptly make a final inspection with Owner and Contractor and will notify Contractor in writing of all particulars in which this inspection reveals that the Work, or agreed portion thereof, is incomplete or defective. Contractor shall immediately take such measures as are necessary to complete such Work or remedy such deficiencies.

15.06 *Final Payment*

A. *Application for Payment*

1. After Contractor has, in the opinion of Engineer, satisfactorily completed all corrections identified during the final inspection and has delivered, in accordance with the Contract Documents, all maintenance and operating instructions, schedules, guarantees, bonds, certificates or other evidence of insurance, certificates of inspection, annotated record documents (as provided in Paragraph 7.12), and other documents, Contractor may make application for final payment.
2. The final Application for Payment must be accompanied (except as previously delivered) by:
 - a. all documentation called for in the Contract Documents;
 - b. consent of the surety, if any, to final payment;
 - c. satisfactory evidence that all title issues have been resolved such that title to all Work, materials, and equipment has passed to Owner free and clear of any Liens or other title defects, or will so pass upon final payment.

- d. a list of all duly pending Change Proposals and Claims; and
 - e. complete and legally effective releases or waivers (satisfactory to Owner) of all Lien rights arising out of the Work, and of Liens filed in connection with the Work.
3. In lieu of the releases or waivers of Liens specified in Paragraph 15.06.A.2 and as approved by Owner, Contractor may furnish receipts or releases in full and an affidavit of Contractor that: (a) the releases and receipts include all labor, services, material, and equipment for which a Lien could be filed; and (b) all payrolls, material and equipment bills, and other indebtedness connected with the Work for which Owner might in any way be responsible, or which might in any way result in liens or other burdens on Owner's property, have been paid or otherwise satisfied. If any Subcontractor or Supplier fails to furnish such a release or receipt in full, Contractor may furnish a bond or other collateral satisfactory to Owner to indemnify Owner against any Lien, or Owner at its option may issue joint checks payable to Contractor and specified Subcontractors and Suppliers.
- B. *Engineer's Review of Final Application and Recommendation of Payment:* If, on the basis of Engineer's observation of the Work during construction and final inspection, and Engineer's review of the final Application for Payment and accompanying documentation as required by the Contract Documents, Engineer is satisfied that the Work has been completed and Contractor's other obligations under the Contract have been fulfilled, Engineer will, within 10 days after receipt of the final Application for Payment, indicate in writing Engineer's recommendation of final payment and present the final Application for Payment to Owner for payment. Such recommendation will account for any set-offs against payment that are necessary in Engineer's opinion to protect Owner from loss for the reasons stated above with respect to progress payments. Otherwise, Engineer will return the Application for Payment to Contractor, indicating in writing the reasons for refusing to recommend final payment, in which case Contractor shall make the necessary corrections and resubmit the Application for Payment.
- C. *Notice of Acceptability:* In support of its recommendation of payment of the final Application for Payment, Engineer will also give written notice to Owner and Contractor that the Work is acceptable, subject to stated limitations in the notice and to the provisions of Paragraph 15.07.
- D. *Completion of Work:* The Work is complete (subject to surviving obligations) when it is ready for final payment as established by the Engineer's written recommendation of final payment and issuance of notice of the acceptability of the Work.
- E. *Final Payment Becomes Due:* Upon receipt from Engineer of the final Application for Payment and accompanying documentation, Owner shall set off against the amount recommended by Engineer for final payment any further sum to which Owner is entitled, including but not limited to set-offs for liquidated damages and set-offs allowed under the provisions of this Contract with respect to progress payments. Owner shall pay the resulting balance due to Contractor within 30 days of Owner's receipt of the final Application for Payment from Engineer.

15.07 *Waiver of Claims*

- A. By making final payment, Owner waives its claim or right to liquidated damages or other damages for late completion by Contractor, except as set forth in an outstanding Claim,

appeal under the provisions of Article 17, set-off, or express reservation of rights by Owner. Owner reserves all other claims or rights after final payment.

- B. The acceptance of final payment by Contractor will constitute a waiver by Contractor of all claims and rights against Owner other than those pending matters that have been duly submitted as a Claim, or appealed under the provisions of Article 17.

15.08 *Correction Period*

- A. If within one year after the date of Substantial Completion (or such longer period of time as may be prescribed by the Supplementary Conditions or the terms of any applicable special guarantee required by the Contract Documents), Owner gives Contractor written notice that any Work has been found to be defective, or that Contractor's repair of any damages to the Site or adjacent areas has been found to be defective, then after receipt of such notice of defect Contractor shall promptly, without cost to Owner and in accordance with Owner's written instructions:
 - 1. correct the defective repairs to the Site or such adjacent areas;
 - 2. correct such defective Work;
 - 3. remove the defective Work from the Project and replace it with Work that is not defective, if the defective Work has been rejected by Owner, and
 - 4. satisfactorily correct or repair or remove and replace any damage to other Work, to the work of others, or to other land or areas resulting from the corrective measures.
- B. Owner shall give any such notice of defect within 60 days of the discovery that such Work or repairs is defective. If such notice is given within such 60 days but after the end of the correction period, the notice will be deemed a notice of defective Work under Paragraph 7.17.B.
- C. If, after receipt of a notice of defect within 60 days and within the correction period, Contractor does not promptly comply with the terms of Owner's written instructions, or in an emergency where delay would cause serious risk of loss or damage, Owner may have the defective Work corrected or repaired or may have the rejected Work removed and replaced. Contractor shall pay all costs, losses, and damages (including but not limited to all fees and charges of engineers, architects, attorneys, and other professionals and all court or arbitration or other dispute resolution costs) arising out of or relating to such correction or repair or such removal and replacement (including but not limited to all costs of repair or replacement of work of others). Contractor's failure to pay such costs, losses, and damages within 10 days of invoice from Owner will be deemed the start of an event giving rise to a Claim under Paragraph 12.01.B, such that any related Claim must be brought within 30 days of the failure to pay.
- D. In special circumstances where a particular item of equipment is placed in continuous service before Substantial Completion of all the Work, the correction period for that item may start to run from an earlier date if so provided in the Specifications.
- E. Where defective Work (and damage to other Work resulting therefrom) has been corrected or removed and replaced under this paragraph, the correction period hereunder with respect to such Work will be extended for an additional period of one year after such correction or removal and replacement has been satisfactorily completed.

- F. Contractor's obligations under this paragraph are in addition to all other obligations and warranties. The provisions of this paragraph are not to be construed as a substitute for, or a waiver of, the provisions of any applicable statute of limitation or repose.

ARTICLE 16—SUSPENSION OF WORK AND TERMINATION

16.01 *Owner May Suspend Work*

- A. At any time and without cause, Owner may suspend the Work or any portion thereof for a period of not more than 90 consecutive days by written notice to Contractor and Engineer. Such notice will fix the date on which Work will be resumed. Contractor shall resume the Work on the date so fixed. Contractor shall be entitled to an adjustment in the Contract Price or an extension of the Contract Times directly attributable to any such suspension. Any Change Proposal seeking such adjustments must be submitted no later than 30 days after the date fixed for resumption of Work.

16.02 *Owner May Terminate for Cause*

- A. The occurrence of any one or more of the following events will constitute a default by Contractor and justify termination for cause:
 - 1. Contractor's persistent failure to perform the Work in accordance with the Contract Documents (including, but not limited to, failure to supply sufficient skilled workers or suitable materials or equipment, or failure to adhere to the Progress Schedule);
 - 2. Failure of Contractor to perform or otherwise to comply with a material term of the Contract Documents;
 - 3. Contractor's disregard of Laws or Regulations of any public body having jurisdiction; or
 - 4. Contractor's repeated disregard of the authority of Owner or Engineer.
- B. If one or more of the events identified in Paragraph 16.02.A occurs, then after giving Contractor (and any surety) 10 days' written notice that Owner is considering a declaration that Contractor is in default and termination of the Contract, Owner may proceed to:
 - 1. declare Contractor to be in default, and give Contractor (and any surety) written notice that the Contract is terminated; and
 - 2. enforce the rights available to Owner under any applicable performance bond.
- C. Subject to the terms and operation of any applicable performance bond, if Owner has terminated the Contract for cause, Owner may exclude Contractor from the Site, take possession of the Work, incorporate in the Work all materials and equipment stored at the Site or for which Owner has paid Contractor but which are stored elsewhere, and complete the Work as Owner may deem expedient.
- D. Owner may not proceed with termination of the Contract under Paragraph 16.02.B if Contractor within 7 days of receipt of notice of intent to terminate begins to correct its failure to perform and proceeds diligently to cure such failure.
- E. If Owner proceeds as provided in Paragraph 16.02.B, Contractor shall not be entitled to receive any further payment until the Work is completed. If the unpaid balance of the Contract Price exceeds the cost to complete the Work, including all related claims, costs, losses, and damages (including but not limited to all fees and charges of engineers, architects,

- attorneys, and other professionals) sustained by Owner, such excess will be paid to Contractor. If the cost to complete the Work including such related claims, costs, losses, and damages exceeds such unpaid balance, Contractor shall pay the difference to Owner. Such claims, costs, losses, and damages incurred by Owner will be reviewed by Engineer as to their reasonableness and, when so approved by Engineer, incorporated in a Change Order. When exercising any rights or remedies under this paragraph, Owner shall not be required to obtain the lowest price for the Work performed.
- F. Where Contractor's services have been so terminated by Owner, the termination will not affect any rights or remedies of Owner against Contractor then existing or which may thereafter accrue, or any rights or remedies of Owner against Contractor or any surety under any payment bond or performance bond. Any retention or payment of money due Contractor by Owner will not release Contractor from liability.
 - G. If and to the extent that Contractor has provided a performance bond under the provisions of Paragraph 6.01.A, the provisions of that bond will govern over any inconsistent provisions of Paragraphs 16.02.B and 16.02.D.

16.03 *Owner May Terminate for Convenience*

- A. Upon 7 days' written notice to Contractor and Engineer, Owner may, without cause and without prejudice to any other right or remedy of Owner, terminate the Contract. In such case, Contractor shall be paid for (without duplication of any items):
 - 1. completed and acceptable Work executed in accordance with the Contract Documents prior to the effective date of termination, including fair and reasonable sums for overhead and profit on such Work;
 - 2. expenses sustained prior to the effective date of termination in performing services and furnishing labor, materials, or equipment as required by the Contract Documents in connection with uncompleted Work, plus fair and reasonable sums for overhead and profit on such expenses; and
 - 3. other reasonable expenses directly attributable to termination, including costs incurred to prepare a termination for convenience cost proposal.
- B. Contractor shall not be paid for any loss of anticipated profits or revenue, post-termination overhead costs, or other economic loss arising out of or resulting from such termination.

16.04 *Contractor May Stop Work or Terminate*

- A. If, through no act or fault of Contractor, (1) the Work is suspended for more than 90 consecutive days by Owner or under an order of court or other public authority, or (2) Engineer fails to act on any Application for Payment within 30 days after it is submitted, or (3) Owner fails for 30 days to pay Contractor any sum finally determined to be due, then Contractor may, upon 7 days' written notice to Owner and Engineer, and provided Owner or Engineer do not remedy such suspension or failure within that time, terminate the contract and recover from Owner payment on the same terms as provided in Paragraph 16.03.
- B. In lieu of terminating the Contract and without prejudice to any other right or remedy, if Engineer has failed to act on an Application for Payment within 30 days after it is submitted, or Owner has failed for 30 days to pay Contractor any sum finally determined to be due, Contractor may, 7 days after written notice to Owner and Engineer, stop the Work until payment is made of all such amounts due Contractor, including interest thereon. The

provisions of this paragraph are not intended to preclude Contractor from submitting a Change Proposal for an adjustment in Contract Price or Contract Times or otherwise for expenses or damage directly attributable to Contractor's stopping the Work as permitted by this paragraph.

ARTICLE 17—FINAL RESOLUTION OF DISPUTES

17.01 *Methods and Procedures*

- A. *Disputes Subject to Final Resolution:* The following disputed matters are subject to final resolution under the provisions of this article:
1. A timely appeal of an approval in part and denial in part of a Claim, or of a denial in full, pursuant to Article 12; and
 2. Disputes between Owner and Contractor concerning the Work, or obligations under the Contract Documents, that arise after final payment has been made.
- B. *Final Resolution of Disputes:* For any dispute subject to resolution under this article, Owner or Contractor may:
1. elect in writing to invoke the dispute resolution process provided for in the Supplementary Conditions;
 2. agree with the other party to submit the dispute to another dispute resolution process; or
 3. if no dispute resolution process is provided for in the Supplementary Conditions or mutually agreed to, give written notice to the other party of the intent to submit the dispute to a court of competent jurisdiction.

ARTICLE 18—MISCELLANEOUS

18.01 *Giving Notice*

- A. Whenever any provision of the Contract requires the giving of written notice to Owner, Engineer, or Contractor, it will be deemed to have been validly given only if delivered:
1. in person, by a commercial courier service or otherwise, to the recipient's place of business;
 2. by registered or certified mail, postage prepaid, to the recipient's place of business; or
 3. by e-mail to the recipient, with the words "Formal Notice" or similar in the e-mail's subject line.

18.02 *Computation of Times*

- A. When any period of time is referred to in the Contract by days, it will be computed to exclude the first and include the last day of such period. If the last day of any such period falls on a Saturday or Sunday or on a day made a legal holiday by the law of the applicable jurisdiction, such day will be omitted from the computation.

18.03 *Cumulative Remedies*

- A. The duties and obligations imposed by these General Conditions and the rights and remedies available hereunder to the parties hereto are in addition to, and are not to be construed in any way as a limitation of, any rights and remedies available to any or all of them which are otherwise imposed or available by Laws or Regulations, by special warranty or guarantee, or by other provisions of the Contract. The provisions of this paragraph will be as effective as if repeated specifically in the Contract Documents in connection with each particular duty, obligation, right, and remedy to which they apply.

18.04 *Limitation of Damages*

- A. With respect to any and all Change Proposals, Claims, disputes subject to final resolution, and other matters at issue, neither Owner nor Engineer, nor any of their officers, directors, members, partners, employees, agents, consultants, or subcontractors, shall be liable to Contractor for any claims, costs, losses, or damages sustained by Contractor on or in connection with any other project or anticipated project.

18.05 *No Waiver*

- A. A party's non-enforcement of any provision will not constitute a waiver of that provision, nor will it affect the enforceability of that provision or of the remainder of this Contract.

18.06 *Survival of Obligations*

- A. All representations, indemnifications, warranties, and guarantees made in, required by, or given in accordance with the Contract, as well as all continuing obligations indicated in the Contract, will survive final payment, completion, and acceptance of the Work or termination of the Contract or of the services of Contractor.

18.07 *Controlling Law*

- A. This Contract is to be governed by the law of the state in which the Project is located.

18.08 *Assignment of Contract*

- A. Unless expressly agreed to elsewhere in the Contract, no assignment by a party to this Contract of any rights under or interests in the Contract will be binding on the other party without the written consent of the party sought to be bound; and, specifically but without limitation, money that may become due and money that is due may not be assigned without such consent (except to the extent that the effect of this restriction may be limited by law), and unless specifically stated to the contrary in any written consent to an assignment, no assignment will release or discharge the assignor from any duty or responsibility under the Contract.

18.09 *Successors and Assigns*

- A. Owner and Contractor each binds itself, its successors, assigns, and legal representatives to the other party hereto, its successors, assigns, and legal representatives in respect to all covenants, agreements, and obligations contained in the Contract Documents.

18.10 *Headings*

- A. Article and paragraph headings are inserted for convenience only and do not constitute parts of these General Conditions.

ATTACHMENT 4

SECTION 007300 - SUPPLEMENTARY CONDITIONS (NON-MA PROJECTS)
TABLE OF CONTENTS

PART I - AMENDMENTS TO GENERAL CONDITIONS

Article Number	Title
1	DEFINITIONS AND TERMINOLOGY
2	PRELIMINARY MATTERS
3	DOCUMENTS; INTENT, REQUIREMENTS, REUSE
4	COMMENCEMENT AND PROGRESS OF THE WORK
5	SITE; SUBSURFACE AND PHYSICAL CONDITIONS; HAZARDOUS ENVIRONMENTAL CONDITIONS
6	BONDS AND INSURANCE
7	CONTRACTOR'S RESPONSIBILITIES
8	OTHER WORK AT THE SITE
9	OWNER'S RESPONSIBILITIES
10	ENGINEER'S STATUS DURING CONSTRUCTION
11	AMENDING THE CONTRACT DOCUMENTS; CHANGES IN THE WORK
13	COST OF THE WORK; ALLOWANCES; UNIT PRICE WORK
14	TESTS AND INSPECTIONS; CORRECTION, REMOVAL OR ACCEPTANCE OF DEFECTIVE WORK
15	PAYMENTS TO CONTRACTOR; SET-OFFS; COMPLETION; CORRECTION PERIOD
16	SUSPENSION OF WORK AND TERMINATION
17	FINAL RESOLUTION OF DISPUTES
18	MISCELLANEOUS

PART II - FEDERAL, STATE AND LOCAL GOVERNMENT PROVISIONS

- 1.0. FEDERAL GOVERNMENT PROVISIONS
- 2.0. STATE GOVERNMENT PROVISIONS
- 3.0. CITY OF PROVIDENCE RHODE ISLAND PROVISIONS

SECTION 007300 - SUPPLEMENTARY CONDITIONS

PART 1 - AMENDMENTS TO GENERAL CONDITIONS

These Supplementary Conditions amend or supplement the Standard General Conditions of the Construction Contract (EJCDC Document No. C-700, 2018 edition) and other provisions of the Contract Documents as indicated below. All provisions which are not so amended or supplemented remain in full force and effect.

ARTICLE 1 - DEFINITIONS AND TERMINOLOGY

SC-1.01A.7.

Delete Paragraph 1.01A.7 of the General Conditions in its entirety and replace it with the following:

7. Bidding Requirements - The Advertisement or Request for Proposals, Invitation to Bid, Instructions to Bidders, Information Available to Bidders, Bid Security Form, if any, and the bid form with any supplements.

SC-1.01A.15

Delete Paragraph 1.01A.15 of the General Conditions in its entirety and replace it with the following:

15. Contract Times - The number of days or dates stated in the Contract Documents and in the Agreement to: (I) achieve substantial completion; and (II) complete the Work so that it is ready for final payment as evidenced by Engineer's written recommendation of final payment.

SC-1.01A.22

Delete Paragraph 1.01A.22 of the General Conditions in its entirety and replace it with the following:

22. Engineer - The individual or entity named as such elsewhere in the Contract Documents or as designated by the Owner. The Owner may act in the Engineer's capacity at its sole discretion if another individual or entity is not so named, in which case where the word Engineer is used the word Owner may be substituted at the Owner's sole discretion.

SC-1.01A.39.

Delete paragraph 1.01A.39. of the General Conditions in its entirety and replace with the following:

39. Specifications - Sections included under Division 00 through Division 16 of the Project Manual.

SC-1.01A51

Add the following new paragraph immediately after Paragraph 1.01A.50 of the General Conditions which is to read as follows:

51. *Cover Documents*—City of Providence, Rhode Island documents found at the beginning of the Bidding Documents, which provide City of Providence terms and requirements for bidding and for the Contract. The title of these documents may include but are not limited to “Board of Contract and Supply, City of Providence, Rhode Island, Request For Proposals”.

ARTICLE 2 - PRELIMINARY MATTERS

SC-2.01A.

Delete Paragraph 2.01A of the General Conditions in its entirety and replace it with the following:

A. Performance and Payment Bonds: Within ten (10) calendar days following the receipt of a Notice to Award, the Contractor shall deliver the required bonds to the Owner for preparation of the Contract Agreement by Owner.

SC-2.01B.

Add the following new sentence at the end of this paragraph:

The Contractor shall file the original and one certified copy of all policies with the Owner before exposure to loss may occur. If the Owner is damaged by failure of the Contractor to maintain such insurance and to so notify the Owner, then the Contractor shall bear all responsible costs properly attributable thereto.

SC-2.01C.

Delete Paragraph 2.01C of the General Conditions in its entirety.

SC-2.02A.

Delete "four" in the first line and replace with "one."

SC-2.03A.4

Add the following new paragraph immediately after Paragraph 2.03A.3 of the General Conditions which is to read as follows:

4. Contractor shall prepare all schedules in a format approved by the Owner and compatible with the complexity of the project to adequately illustrate the relationship of major work activities. Minimum requirements will include a horizontal bar chart on a monthly time scale, with separate activities conforming to major divisions of the Specifications. Projected percentage completion of each activity and cumulative total of all activities should be shown for the first day of each month throughout the projected contract duration.

ARTICLE 3 – CONTRACT DOCUMENTS: INTENT, REQUIREMENTS, REUSE

SC-3.01H.

Add the following new paragraph immediately after Paragraph 3.01G. of the General Conditions which is to read as follows:

H. Each and every provision of law and clause required by law to be inserted in these Contract Documents shall be deemed to be inserted herein, and they shall be read and enforced as though they were included herein, and if through mistake or otherwise, any such provision is not inserted, or if not correctly inserted, then upon the application of either party, the Contract Documents shall forthwith be physically amended to make such insertion.

SC-3.03B.2.

Add the following new paragraph immediately after Paragraph 3.03B.1.b of the General Conditions which is to read as follows:

2. In case of a discrepancy between the requirements of the Cover Documents and the requirements stated in other sections of the Contract Documents, the requirements stated in the Cover Documents shall prevail.

SC-3.03C.

Add the following new paragraph immediately after Paragraph 3.03B.2 of the General Conditions which is to read as follows:

C. In case of conflict as to the type or quality of materials to be supplied, the Contractor shall provide the best quality of materials, unless otherwise directed by the Owner.

ARTICLE 4 - COMMENCEMENT AND PROGRESS OF THE WORK

SC-4.01A.

Delete Paragraph 4.01A of the General Conditions in its entirety and replace with the following:

A. The Contract Time will commence to run as indicated in the Contract Documents. If not specifically stated in the Contract Documents, the Contract Times will commence to run on the thirtieth day after the Effective Date of Agreement or, if a Notice to Proceed is given, on the day indicated in the Notice to Proceed.

SC-4.03B.

Add the following new paragraph immediately after Paragraph 4.03A of the General Conditions which is to read as follows:

B. Engineer may check the lines, elevations, reference marks, batter boards, etc., set by Contractor, and Contractor shall correct any errors disclosed by such check. Such a check shall not be considered approval of Contractor's work and shall not relieve Contractor of the responsibility for accurate construction of the entire Work. Contractor shall furnish personnel to assist Engineer in checking lines and grades.

SC-4.04A.3.

Add the following new paragraph immediately after Paragraph 4.04.A.2 of the General Conditions which is to read as follows:

3. Submit periodic updates as necessary to reflect any deviations of actual progress from the initial schedule.

ARTICLE 5 - SITE; SUBSURFACE AND PHYSICAL CONDITIONS; HAZARDOUS ENVIRONMENTAL CONDITIONS

SC-5.01A.1.

Add the following new paragraph immediately after Paragraph 5.01A. of the General Conditions which is to read as follows:

1. If all lands and rights-of-way are not obtained as herein contemplated before construction begins, Contractor shall begin the Work upon such land and rights-of-way as Owner has previously acquired.

SC-5.01B.

Delete Paragraph 5.01.B of the General Conditions in its entirety and relabel the subsequent Paragraph 5.01.C to 5.01.B.

SC-5.03A.

Delete Paragraphs 5.03A and 5.03B in their entirety and insert the following:

A. No reports of explorations or tests of subsurface conditions at or adjacent to the Site, or drawings of physical conditions relating to existing surface or subsurface structures at the Site, are known to Owner.

5.03D.

Delete Paragraph 5.03D of the General Conditions in its entirety and replace it with the following:

D. Limited Reliance by CONTRACTOR on Technical Data Authorized: CONTRACTOR may rely upon the general accuracy of the “technical data” contained in such reports and drawings, but such reports and drawings are not Contract Documents. Such “technical data”, if any, will be specifically identified and defined in the Bidding Documents, if applicable. Except for such reliance on such “technical data,” CONTRACTOR may not rely upon or make any Claim against OWNER, ENGINEER, or any of the ENGINEER’s Consultants with respect to:”

SC 5.04E.1.

Add the following new paragraph immediately after Paragraph 5.04.E.1.c of the General Conditions which is to read as follows:

d. the provisions of this paragraph are not in conflict with other provisions of the Contract Documents.

SC-5.06A.

Delete Paragraphs 5.06A and 5.06B in their entirety and insert the following:

A. No reports or drawings related to Hazardous Environmental Conditions at the Site, are known to Owner.

SC-5.06B.

Delete Paragraph 506.B of the General Conditions in its entirety and replace it with the following:

B. *Limited Reliance by CONTRACTOR on Technical Data Authorized:* CONTRACTOR may rely upon the general accuracy of the “technical data” contained in such reports and drawings, but such reports and drawings are not Contract Documents. Such “technical data”, if any, will be specifically identified and defined in the Bidding Documents, if applicable. Except for such reliance on such “technical data,” CONTRACTOR may not rely upon or make any Claim against OWNER, ENGINEER or any of ENGINEER’s Consultants with respect to.”

ARTICLE 6 - BONDS AND INSURANCE

SC-6.01A.

Add the following new sentences immediately following the first sentence of paragraph 6.01A:

If the Contract is for a multiple year period, the Owner reserves the right to direct the Contractor to supply bonding for one-year periods, but such bonds must be renewed prior to expiration during the required period; it is the Contractor’s responsibility to renew such bonds and provide proof of such renewal to the Owner without notice from the Owner. Failure to renew such bonds before expiration will result in termination of the Contract by the Owner and liquidated damages may apply.

SC-6.01B.1.

Add the following paragraph immediately after Paragraph 6.01B of the General Conditions:

1. Contractor shall furnish Efficiency Guarantee Bonds in accordance with Article entitled MANUFACTURER'S EXPERIENCE in the Instructions to Bidders and executed on forms approved by the Owner.

SC-6.01C.

Add the following new sentences at the end of paragraph 6.01C:

Bonds shall be executed by a company licensed to do business in the State of Rhode Island. All out-of-state corporations must add the following language to the original bond: “[Name of Incorporating State] corporation, authorized to do business in the State of Rhode Island.” A private individual will not be accepted as a surety to provide the required bonds.

SC-6.01I.

Add the following new paragraph immediately after Paragraph 6.01.H of the General Conditions which is to read as follows:

I. The reference to the Contract Date on the bond must be left blank. This date will be filled in upon execution of the Contract by the Owner. The Contractor must submit all required Bonds to the Owner within 10 calendar days after notification of award of the Contract. If the required Bonds are not submitted to the Owner by the required date, the Owner may cancel the award of the Contract and award the Contract to another bidder. The original and one copy of the required Bonds must be submitted to Providence Water, 125 Dupont Drive, Providence, Rhode Island 02907 Attn: Purchasing Department. Any costs incurred from obtaining the required Bonds shall be solely the responsibility of the Contractor and shall be included in the prices bid, unless a specific bid line item on the Bid Forms provides separately for them as an additional cost or allowance.

SC-6.02D

Add the following paragraphs immediately after Paragraph 6.02D of the General Conditions which are to read as follows:

1. Contractor shall provide evidence of its insurance coverage on the ACORD certificate of insurance form and shall include the following statement in its entirety in the section of the form entitled "Description of Operations/Locations/Vehicles/Special Items".
2. The City of Providence, Rhode Island; Providence Water Supply Board; and CDM Smith Inc., and their subsidiaries, officers, directors, partners, employees and other consultants and subcontractors are named as additional insureds with respect to the insured's Commercial General Liability, Automobile Liability and Pollution Liability Insurance Policies. All insurers waive all rights of subrogation against the City of Providence, Rhode Island; Providence Water Supply Board; and CDM Smith Inc., their subsidiaries, officers, directors, partners, employees and other consultants and subcontractors. All insurance is primary for all claims covered thereby. Commercial General Liability Insurance includes contractual liability coverage.
3. The insured name must be the same name as the name on the Bid submitted.
4. Insurance Certificates must state the title of the Project to be performed.
5. Certificate Holder provision of the certificates must list "City of Providence and Providence Water".
6. Cancellation and/or reduction in coverage must provide 30 days written notice.
7. The Successful Bidder must produce satisfactory Certificates of Insurance within 10 days following a Notice of Award. The Contract shall not be executed, and no work shall begin unless all these requirements are satisfied. Failure to do so may result in the cancellation of an award and award to another bidder.
 - a. The insurance coverages specified shall be carried until all the Work required to be completed per the Contract Documents and Contract are satisfactorily completed by the Contractor and for a period of at least two years after the date when final payment becomes due. Failure to carry or keep such insurance in force shall constitute a violation of the Contract, and Owner maintains the right to stop work and/or withhold payment until proper evidence of insurance is provided.
 - b. The insurance shall provide for 30 days prior written notice to be given to Owner in the event coverage is substantially changed, canceled or not renewed.

c. In no case shall the coverage limits for Commercial General Liability, Automobile Liability, or Professional Liability Insurance stated above be less than the total Contract amount. If the total Contract amount exceeds any stated limit, the limit shall be adjusted to the satisfaction of the Owner to the next highest \$1,000,000 exceeding the total Contract amount.

d. Owner maintains the right to modify, delete, alter or change these requirements.

e. The Successful Bidder understands and agrees that any insurance protection furnished by the Contractor hereunder shall in no way limit its responsibility to indemnify and save harmless Owner, CDM Smith, and their officers, agents, directors, partners, employees and other consultants and subcontractors.

f. For additional information, contact the Purchasing Department of Providence Water at (401) 521-6300 Ext. 7227.

SC-6.02E.

Delete paragraph 6.02E of the General Conditions in its entirety and replace with the following which is to read as follows:

E. The Contractor shall send the original and one copy of all Certificates of Insurance required by Contract Documents to Providence Water, 125 Dupont Drive, Providence, Rhode Island 02907 Attn: Purchasing Department. These Certificates shall be furnished to the Owner within 10 days of a Notice of Award of the Contract and will be attached to the final executed copies of the Contract. The Certificates must be completely filled out listing all insurance companies, evidence of the coverages and limits set forth by the Contract Documents, and additional insureds. The Certificates shall be on standard insurance Accord Forms.

SC-6.02O.

Add the following new paragraph immediately after new Paragraph 6.02N of the General Conditions which is to read as follows and re-letter all following paragraphs:

O. The Owner shall be notified immediately by the Contractor and the insurance company of their termination or cancellation of the policy or coverages, and the protection shall be renewed before further work will be permitted at the site(s) of the Contract. The Contractor shall not cause any policy or coverage to be canceled or permit them to lapse or be subject to cancellation or a reduction in the required limits of liability or amounts of insurance. Copies of any endorsements that are subsequently issued amending coverages or limits shall immediately be furnished to the Owner.

SC-6.03A.

Insert the words "from a company or companies licensed to do business in the State in which the Project is located" immediately following the word "insurance" in the second line.

SC-6.03A.1

Add the following paragraph immediately after Paragraph 6.03A of the General Conditions:

1. Contractor's Insurance

a. Workers' Compensation: Contractor shall purchase and maintain workers' compensation and employer's liability insurance for:

1. claims under workers' compensation, disability benefits, and other similar employee benefit acts.
2. United States Longshoreman and Harbor Workers' Compensation Act and Jones Act coverage (if applicable).
3. claims for damages because of bodily injury, occupational sickness or disease, or death of Contractor's employees (by stop-gap endorsement in monopolist worker's compensation states).
4. Foreign voluntary worker compensation (if applicable)
5. Stop Gap Employer Liability for work in ND, OH, WA, WY & Puerto Rico
6. The limits of liability for the workers compensation insurance required by Paragraph 6.03 of the General Conditions shall provide coverage for not less than the following amounts or greater where required by law.

(1) Worker's Compensation	Statutory
(2) Employer's Liability	\$1,000,000 Each Occurrence \$1,000,000 Disease per employee

b. Commercial General Liability – Claims Covered: Contractor shall purchase and maintain commercial general liability insurance, covering all operations by or on behalf of Contractor, on an occurrence basis, against:

1. claims for damages because of bodily injury, sickness or disease, or death of any person other than Contractor's employees.
2. claims for damages insured by reasonably available personal injury liability coverage.
3. claims for damages, other than to the Work itself, because of injury to or destruction of tangible property wherever located, including loss of use resulting therefrom.
4. Contractor's commercial liability policy shall be written on a 1996 (or later) ISO commercial general liability form (occurrence form) and include the following coverages and endorsements:
5. Products and completed operations coverage:
 - 1) Such insurance shall be maintained for three years after final payment.
 - 2) Contractor shall furnish Owner and each other additional insured (as identified in the Supplementary Conditions or elsewhere in the Contract) evidence of continuation of such insurance at final payment and three years thereafter.
6. Blanket contractual liability coverage, to the extent permitted by law, including but not limited to tort liability and coverage of Contractor's contractual indemnity obligations in Paragraph 7.18.
7. Severability of interest.
8. Underground, explosion, and collapse coverage.
9. Personal injury coverage.
10. Additional insured endorsements that include both ongoing operations and products and completed operations coverage through ISO Endorsements CG 20 10 10 01 and CG 20 37 10 01 (together); or CG 20 10 07 04 and CG 20 37 07 04 (together); or their equivalent.

11. For design professional additional insureds, ISO Endorsement CG 20 32 07 04, “Additional Insured—Engineers, Architects or Surveyors Not Engaged by the Named Insured” or its equivalent.
12. There shall be no specific exclusions associated with scope or work or any cross-suit exclusions for Additional Insureds.
13. Commercial General Liability Insurance shall not be less than the following amounts.

Bodily Injury:	\$2,000,000	Each Occurrence
	\$4,000,000	Annual Aggregate

Property Damage:	\$2,000,000	Each Occurrence
	\$4,000,000	Annual Aggregate

Personal Injury:	\$4,000,000	Annual Aggregate
------------------	-------------	------------------

- c. Comprehensive Automobile Liability including all owned (private and others), hired and non-owned vehicles, including contractual liability coverage and MCS-90 endorsement if Contractor is hauling goods:

Bodily Injury	\$1,000,000	
Each Person	\$1,000,000	Each Accident
Property Damage: Each accident [or] Combined Single Limit of	\$1,000,000	Each Occurrence

- d. Umbrella or Excess Liability:

Per Occurrence	\$5,000,000
General Aggregate	\$5,000,000

- e. Contractor’s Pollution Liability:

Each Occurrence	\$2,000,000
General Aggregate	\$2,000,000

If box is checked, Contractor is required to provide Contractor’s Pollution Liability insurance under this Contract.

- f. Contractor’s Professional Liability:

Each Claim	\$1,000,000
Annual Aggregate	\$2,000,000

If box is checked, Contractor is required to provide Contractor’s Professional Liability insurance under this Contract.

SC 6.03B.6.

Add the following new subparagraph after subparagraph 6.03B.5 of the General Conditions:

6. All policies of insurance required to be provided by the Contractor shall contain provisions that the insurer(s) waive all rights of subrogation against the Owner, Engineer, and their officers, directors, partners and other consultants and subcontractors of each and any of them and other parties identified in the Supplementary Conditions.

SC-6.03C.1

Add the following two sentences to subparagraph 6.03.C.1 of the General Conditions:

The City of Providence, Rhode Island; Providence Water Supply Board; and CDM Smith Inc., and their subsidiaries officers, directors, partners, employees and other consultants and subcontractors are named as additional insureds. All insurers waive all rights of subrogation against the City of Providence, Rhode Island; Providence Water Supply Board; and CDM Smith Inc., their subsidiaries, officers, directors, partners, employees and other consultants and subcontractors.

SC-6.04.A.

Add the following new subparagraph after Paragraph 6.04.A of the General Conditions:

1. In addition to City of Providence, Rhode Island, Providence Water Supply Board, Contractor, and all Subcontractors, include as insureds the following: CDM Smith Inc., and their subsidiaries, officers, directors, partners, employees and other consultants and subcontractors.
2. include for the benefit of Owner loss of profits and soft cost coverage including, without limitation, fixed expenses and debt service for a minimum of 12 months with a maximum deductible of 30 days, plus attorneys' fees and engineering or other consultants' fees, if not otherwise covered;
3. include by express endorsement coverage of damage to Contractor's equipment.

SC-6.04B.

Delete Paragraph 6.04B of the General Condition in its entirety.

SC-6.04D.

Insert the following at the end of the last sentence of Paragraph 6.04D of the General Conditions:

“at no additional expense to the Owner”

SC-6.04F.

Add Paragraph 6.04.F after Paragraph 6.04E of the General Conditions.

F. All policies required by this Paragraph shall contain provisions to the effect that the insurer(s) waive all rights of subrogation against the Owner, Engineer and their officers, directors, partners, employees and other consultants and subcontractors of each and any of them.

SC-6.07.

Add the following new Paragraph immediately after Paragraph 6.06 of the General Conditions which is to read as follows:

6.07. Other Data

A. In the event the form of any policy or certificate for the amounts of insurance or the companies writing same are not satisfactory to the Owner, the Contractor shall secure other policies or certificates in form and amount and with companies satisfactory to the Owner. The Contractor shall not cause policies to be canceled or permit them to lapse and all insurance policies shall include a clause to the effect that the policy shall not be subject to cancellation or a reduction in the required limits of liability or amounts of insurance until notice has been sent by registered mail to the Owner, stating when, not less than thirty (30) days thereafter, such cancellation or insurance shall take effect. Such notice shall contain true transcripts from the policy, authenticated by the proper officer of the insurer evidencing in particular those insured, the extent of the insurance, the location and operations to which the insurance applies, the expiration date, and the above mentioned notice of cancellation clause. All policies and certificates by the accepted Successful Bidder shall be delivered to the Owner immediately before preparation of the Contract.

ARTICLE 7 - CONTRACTOR'S RESPONSIBILITIES

SC-7.02.

Add the following new paragraphs immediately after Paragraph 7.02B of the General Conditions, which are to read as follows:

C. This Agreement is subject to the applicable provisions of the Contract Work Hours and Safety Standards Act, Public Law 87-581, 87th Congress. No Contractor or Subcontractor contracting for any part of the Work shall require or permit any laborer or mechanic to be employed on the Work in excess of forty hours in any work week unless such laborer or mechanic receives compensation at a rate not less than one and one-half times that person's basic rate of pay for all hours worked in excess of forty hours in such work week.

D. Contractor shall employ only competent persons to do the work and whenever Owner shall notify Contractor, in writing, that any person on the Work appears to be incompetent, disorderly, or otherwise unsatisfactory, such person shall be removed from the Project and shall not again be employed on it except with the consent of Owner.

E. Contractor and Subcontractors shall, insofar as practicable, give preference in the hiring of workers for the Project to qualified local residents with first preference being given to citizens of the United States who have served in the armed forces of the United States and have been honorably discharged therefrom or released from active duty therein.

F. Contractor and all Subcontractors shall pay to all laborers and mechanics employed for the construction covered by this Contract the minimum rates of pay as determined by the Secretary of Labor in accordance with the Act of March 3, 1931, as amended, known as the Davis-Bacon Act (40 U.S.C. 276a through 276a-7). Furthermore, Contractor and Subcontractors shall adhere to the stipulations and provisions published by the Secretary of Health, Education, and Welfare in "Labor Standards (Federal

Water Pollution Control Act)." The Wage Rate Schedule as prepared by the Secretary of Labor and the "Labor Standards" are part of this Contract and are included in PART II of these Supplementary Conditions.

G. Except as may be otherwise required by law, all claims and disputes pertaining to the classification of labor employed on the project under this Contract shall be decided by the governing body having jurisdiction.

H. Contractor and all Subcontractors shall comply with the Regulations of the Secretary of Labor made pursuant to the Anti-Kickback Act of June 30, 1940 (40 U.S.C. 276c) and all amendments or modifications thereto. Contractor and all Subcontractors shall furnish Owner with weekly Statements of Compliance. In case of Subcontracts, Contractor shall cause appropriate provision to be inserted in all subcontracts for the Work which Contractor may let to ensure compliance with said Anti-Kickback Act by all Subcontractors subject thereto, and Contractor shall be responsible for the submission of all Statements of Compliance required of Subcontractors by said Anti-Kickback Act except as the Secretary of Labor may specifically provide for reasonable limitations, variations, and exemptions from the requirements thereof. These Regulations are part of this Contract and are included in PART II of these Supplementary Conditions.

I. Prior to work on the project commencing, the Contractor shall provide the Owner with the name and qualifications of its resident superintendent for the work. The superintendent shall be permanently assigned to this project and shall be present at all times during the performance of the work. Any proposed replacement superintendent will be subject to the approval of the Owner. The Contractor shall provide the Owner with the qualifications of any superintendent for review.

SC-7.03C.

Delete Paragraph 7.03C of the General Conditions in its entirety and replace it with the following:

C. Except as otherwise required for the safety or protection of persons or the Work or property at the Site or adjacent thereto, and except as otherwise stated in the Contract Documents, all Work at the Site shall be performed during the Owner's regular working hours, and Contractor will not permit overtime work or performance of Work on Saturday, Sunday, or any holiday observed by the Owner without Owner's written consent (which will not be unreasonably withheld) given after prior written notice to Engineer. Requests to work other than regular working hours shall be submitted to Engineer not less than 48 hours prior to any proposed weekend work or scheduled extended work weeks. Occasional unscheduled overtime on weekdays may be permitted provided two hours' notice is given to Engineer.

SC-7.03D.

Add the following new paragraph immediately after Paragraph 7.02C of the General Conditions which is to read as follows:

D. Contractor shall reimburse the Owner for additional engineering and/or inspection costs incurred as a result of overtime work in excess of the regular working hours stipulated in Paragraph SC-7.02B. At Owner's option, overtime costs may either be deducted from the Contractor's monthly payment request or deducted from the Contractor's retention prior to release of final payment. Overtime costs for the Owner's personnel shall be based on the individual's current overtime wage rate. Overtime costs for personnel employed by the Engineer or Owner's independent testing laboratory shall be calculated in accordance with the terms of their respective contracts with the Owner.

SC-7.04C.

Add the following new sentences at the end of Paragraph 7.04C of the General Conditions which to read as follows:

All equipment incorporated into the Work shall bear the manufacturer's original identification numbers and nameplates. Manufacturer's identification numbers and nameplates shall not be removed from equipment and shall be protected from damage during installation and during performance of any Work.

SC-7.04D.

Add the following new paragraph immediately after Paragraph 7.04C of the General Conditions which is to read as follows:

D. Omissions of items from the Drawings and Specifications that are obviously needed to properly perform the Work, such as attachments, bolts, hangers, and other fastening devices, shall not relieve the Contractor from furnishing and installing same to properly perform the required Work. It shall be the Contractor's responsibility to obtain from Engineer all necessary interpretations of the designs, Drawings, and Specifications.

SC-7.09B.

Add the following new paragraph immediately after Paragraph 7.09A of the General Conditions to read as follows:

B. The Contractor shall make himself aware of all laws applicable to the Work pertaining to the licensing of specific trades and securing of related permits. The Contractor shall be solely responsible to assure that he and all his proposed Subcontractors are in compliance with such laws at the time of submission of Contractor's Bid. The Contractor shall submit to the Owner any documentation necessary or required to verify such compliance.

SC-7.10B.

Add the following new Paragraph 7.10B to the General Conditions to read as follows:

B. This Project is exempt from sales tax on products permanently incorporated into the Work. Sales tax exemption certificate shall be available from the Owner. Contractor shall attach the tax exemption certificate to invoices for materials incorporated in the Work. Upon completion of the Work, Contractor shall file with Owner a notarized statement that all purchases were entitled to be exempt. Contractor shall pay legally assessed penalties, including any unpaid sales taxes, for improper use of Owner's tax exemption status.

SC-7.11D.

Add the following new paragraph immediately after Paragraph 7.11C of the General Conditions to read as follows:

D. During execution of the Work, the Contractor and each of his Subcontractors and any firms with employees performing portions of the Work under these Contract Documents agree not to discriminate against any employee or applicant for employment because of race, color, religion, age, sex, or national

origin. The Contractor shall ensure that applicants are employed, and that employees are treated during employment without regard to race, color, religion, age, sex, or national origin. This includes, but is not limited to, the following: employment, upgrading, demotion or transfer, recruitment or recruiting advertisement, lay-off or termination, rate of pay or other form of compensation, and selection for training, including apprenticeship.

SC-7.12A.

Add the following new sentence at the end of Paragraph 7.12A of the General Conditions:

Should the Owner find that the Contractor is not satisfying the requirements of this paragraph, the Owner may withhold all or portions of progress payments until these requirements are complied with by the Contractor to the satisfaction of the Owner.

SC-7.15A.

Delete the last sentence in Paragraph 7.15A. of the General Conditions in its entirety and replace with the following:

If Engineer determines that the incident giving rise to the emergency action was not the responsibility of the Contractor and that a change in the Contract Document is required because of the action taken by the Contractor in response to such an emergency, a Work Change Directive or Change Order will be issued.

SC-7.16D.1.

Add the following new sentence at the end of paragraph 7.16.D.1 of the General Conditions to read as follows:

Approval of Shop Drawings for equipment requiring Efficiency Guarantee Bonds will be withheld until the receipt of such Bonds.

SC-7.17A.

Add the following new paragraph immediately after Paragraph 7.17A. of the General Conditions which is to read as follow:

1. The Contractor guarantees that the Work and Services to be performed under the Contract, and all workmanship, materials and equipment performed, furnished, used or installed in the construction of the same shall be free from defects and flaws, and shall be performed and furnished in strict accordance with the Drawings, Specifications, and other Contract Documents, that the strength of all parts of all manufactured equipment shall be adequate and as specified and that the performance test requirements of the Contract shall be fulfilled. This guarantee shall be for a period of one year from and after the date of substantial completion. If part of the Work is accepted in accordance with Paragraph 15.04 of the General Conditions, the guarantee for that part of the Work shall be for a period of one year from the date fixed for such acceptance.
2. If at any time within the said period of guarantee any part of the Work requires repairing, correction or replacement, the Owner may notify the Contractor in writing to make the required repairs, correction or replacements. If the Contractor neglects to commence making such repairs, corrections or replacements to the satisfaction of the Owner within seven (7) days from the date of receipt of such notice, or having commenced fails to prosecute such Work with diligence, the Owner may employ other persons to make

said repairs, correction or replacements, and charge the costs, including compensation for additional professional services, to the Contractor.

3. The Contractor's guarantee under Paragraph 7.17A, is in addition to the Contractor's express or implied warranties under this Contract and State law and in no way diminish any other rights that the Owner may have against the Contractor.

SC-7.17F.

Add the following new paragraph immediately after Paragraph 7.17E. of the General Conditions which is to read as follows:

F. Manufacturer's Guaranty/Warranty

1. The Contractor shall obtain the following guaranty/warranty from the manufacturer of all major pieces of equipment furnished and installed on this Project. Such guaranty/warranty shall be for the benefit of Owner and be furnished in writing by the manufacturer. The Contractor's and manufacturer's obligations under this provision are in addition to other express or implied warranties under the Contract Documents and under the law and in no way diminish any other right that the Owner may have against the Contractor or manufacturer for faulty material, equipment or work. The warranty period shall not be interpreted as a limitation on the time in which the Owner can enforce such other duties, obligations, rights, or remedies.

2. The manufacturer warrants and guarantees for a period of one year from the date of Substantial Completion, or such longer period that may be specified in the Contract Documents, that all materials and equipment furnished and installed shall be free from flaws, defects in material and workmanship and shall be in conformance with the Contract Documents.

SC-7.18A.

Delete Paragraph 7.18A of the General Conditions in its entirety and replace with the following:

A. To the fullest extent permitted by Laws and Regulations, and in addition to any other obligations of Contractor under the Contract or otherwise, Contractor shall defend, indemnify and hold harmless Owner, Engineer and the officers, directors, members, partners, employees, agents, consultants and subcontractors of each and any of them from and against all claims, costs, losses and damages (including but not limited to all reasonable fees and charges of engineers, architects, attorneys and other professionals and all court or arbitration or other dispute resolution costs) arising out of or relating to the performance of the Work, provided that any such claim, cost or loss or damage:

1. is attributable to bodily injury, sickness, disease or death or to injury to or destruction of tangible property (other than the Work itself), including the loss of use resulting therefrom; and
2. is caused in whole or in part by any act or omission of Contractor, any Subcontractor, any Supplier, or any individual or entity directly or indirectly employed by any of them to perform any of the Work or anyone for whose acts any of them may be liable, regardless of whether or not caused in part by any negligence or omission of an individual or entity indemnified hereunder or whether liability is imposed upon such indemnified party by Laws and Regulations regardless of the negligence of any such indemnified party unless caused by the sole negligence of a party indemnified hereunder. If through the omissions or acts of neglect on the part of Contractor, any other contractor or any Subcontractor shall suffer loss or damage on the Work, Contractor shall settle with such other contractor or Subcontractor by agreement or arbitration if such other contractor or Subcontractor will

so settle. If such other contractor or Subcontractor shall assert any claim against Owner and/or Engineer, or the officers, directors, members, partners, employees, agents, consultants and subcontractors of each on account of any damage alleged to have been sustained, Owner shall notify Contractor, who shall defend, indemnify and save harmless Owner, Engineer, and the officers, directors, members, partners, employees, agents, consultants and subcontractors of each against any such claims.

SC-7.18C.

Add the following new paragraph immediately after Paragraph 7.18B of the General Conditions:

C. The indemnification obligations of the Contractor under paragraphs 7.18 and Article 12 shall include defending all those indemnified, including, but not limited to, payment of all professional court, mediation, arbitration, and attorney costs which may be incurred as a result of such defense.

ARTICLE 8. OTHER WORK AT THE SITE

SC-8.02A.

Delete the words “Supplementary Conditions” and replace them with the words “Contract Documents”.

SC-8.02B.

Delete the words “Supplementary Conditions” and replace them with the words “Contract Documents”.

SC-8.03A.

Delete paragraph 8.03A of the General Conditions in its entirety and replace with the following.

A. If, in the course of performing other work at or adjacent to the Site for Owner, the Owner’s employees, any other contractor working for Owner, or any utility owner for whom the Owner is responsible causes damage to the Work or to the property of Contractor or its Subcontractors, or delays, disrupts, interferes with, or increases the scope or cost of the performance of the Work, through actions or inaction, then Contractor shall not institute any action, legal or equitable, against Owner, Engineer, Engineer's Consultants or the Construction Coordinator or permit any action against any of them to be maintained and continued in its name or for its benefit in any court or before any arbiter which seeks to impose liability on or to recover damages from Owner, Engineer, Engineer's Consultants or the Construction Coordinator on account of any such damage or claim. If Contractor is delayed at any time in performing or furnishing Work by any act or neglect of a separate contractor and Owner and Contractor are unable to agree as to the extent of any adjustment in Contract Times attributable thereto, Contractor may make a claim for an extension of times in accordance with Article 12. An extension of the Contract Times shall be Contractor's exclusive remedy with respect to Owner, Engineer, Engineer's Consultants and Construction Coordinator for any delay, disruption, interference or hindrance caused by any separate contractor. This paragraph does not prevent recovery from Owner, Engineer, Engineer's Consultant or Construction Coordinator for activities that are their respective responsibilities.

SC-8.03C.

Delete Paragraph 8.03C of the General Conditions in its entirety and replace with the following.

C. If Contractor damages, delays, disrupts, or interferes with the work of any other contractor, or any utility owner performing other work at or adjacent to the Site, through Contractor's failure to take reasonable and customary measures to avoid such impacts, or if any claim arising out of Contractor's actions, inactions, or negligence in performance of the Work at or adjacent to the Site is made by any such other contractor or utility owner against Contractor, Owner, or Engineer, Engineer's Consultants, the Construction Coordinator or any person then Contractor shall promptly attempt to settle the claim as to all parties through negotiations with such other contractor or utility owner, or otherwise resolve the claim by arbitration or other dispute resolution proceeding or at law, Contractor shall, to the fullest extent permitted by Laws and Regulations defend, indemnify and hold Owner, Engineer, Engineer's Consultants and the Construction Coordinator harmless from and against all claims, damages, losses and expenses (including, but not limited to, fees of engineers, architects, attorneys and other professionals, and court and arbitration or mediation costs) arising directly, indirectly or consequentially out of any action, legal or equitable, brought by any separate contractor against Owner, Engineer, Engineer's Consultants or the Construction Coordinator to the extent based on a claim arising out of Contractor's performance of the Work.

SC-8.03D.

Add the following new paragraph immediately after Paragraph 8.03C of the General Conditions which is to read as follows:

D. If Contractor is delayed at any time in performing or furnishing Work by any act or neglect of a separate contractor, and Owner and Contractor are unable to agree as the adjustment in Contract Time attributable thereto, Contractor may make a Claim for an extension of time in accordance with Article 12. An extension of the Contract Time shall be Contractor's sole and exclusive remedy with respect to Owner, Engineer, Engineer's Consultants, and construction coordinator for any delay, disruption, interference, or hindrance caused by any separate contractor.

ARTICLE 9. OWNER'S RESPONSIBILITIES

SC-9.02A.

Delete Paragraph 9.02.A of the General Conditions in its entirety and replace it with the following:

A. In case of termination of the employment of the ENGINEER, the OWNER may, at his option, appoint another Engineer or the OWNER may assume the responsibilities and authority of the ENGINEER defined in the Contract Documents.

SC-9.04

Delete the words "Pay When Due" in the title of this paragraph and replace them with the word "Payment".

SC-9.08A.

Delete Paragraph 9.08.A of the General Conditions in its entirety and replace it with the following:

A. OWNER'S responsibility in respect to certain inspections, tests, and approvals is set forth in paragraph 14.02.B and as may be supplemented by the General Requirements.

SC-9.11A.

Delete Paragraph 9.11A of the General Conditions in its entirety.

ARTICLE 10 - ENGINEER'S STATUS DURING CONSTRUCTION

SC-10.03 Resident Project Representative

SC-10.03C.

Add the following new paragraphs immediately after paragraph 10.03B of the General Conditions which are to read as follows:

C. The Resident Project Representative (RPR) will be Engineer's representative at the Site, will act as directed by and under the supervision of Engineer, and will confer with Engineer regarding RPR's actions.

1. General: RPR's dealings in matters pertaining to the Work in general shall be with Engineer and Contractor. RPR's dealings with Subcontractors shall only be through or with the full knowledge and approval of Contractor. RPR shall generally communicate with Owner only with the knowledge of and under the direction of Engineer.

2. Schedules: Review the progress schedule, schedule of Shop Drawing and Sample submittals, and Schedule of Values prepared by Contractor and consult with Engineer concerning acceptability.

3. Conferences and Meetings: Attend meetings with Contractor, such as preconstruction conferences, progress meetings, job conferences, and other Project-related meetings, and prepare and circulate copies of minutes thereof.

4. Liaison:

- a. Serve as Engineer's liaison with Contractor. Working principally through Contractor's authorized representative or designee, assist in providing information regarding the provisions and intent of the Contract Documents.
- b. Assist Engineer in serving as Owner's liaison with Contractor when Contractor's operations affect Owner's on-Site operations.
- c. Assist in obtaining from Owner additional details or information, when required for proper execution of the Work.

5. Interpretation of Contract Documents: Report to Engineer when clarifications and interpretations of the Contract Documents are needed and transmit to Contractor clarifications and interpretations as issued by Engineer.

6. Shop Drawings and Samples:

- a. Record date of receipt of Samples and Contractor-approved Shop Drawings.
 - b. Receive Samples which are furnished at the Site by Contractor, and notify Engineer of availability of Samples for examination.
 - c. Advise Engineer and Contractor of the commencement of any portion of the Work requiring a Shop Drawing or Sample submittal for which RPR believes that the submittal has not been approved by Engineer.
7. Modifications: Consider and evaluate Contractor's suggestions for modifications in Drawings or Specifications and report such suggestions, together with RPR's recommendations, if any, to Engineer. Transmit to Contractor in writing decisions as issued by Engineer.
8. Review of Work and Rejection of Defective Work:
- a. Conduct on-Site observations of Contractor's work in progress to assist Engineer in determining if the Work is in general proceeding in accordance with the Contract Documents.
 - b. Report to Engineer whenever RPR believes that any part of Contractor's work in progress is defective, will not produce a completed Project that conforms generally to the Contract Documents, or will imperil the integrity of the design concept of the completed Project as a functioning whole as indicated in the Contract Documents, or has been damaged, or does not meet the requirements of any inspection, test or approval required to be made; and advise Engineer of that part of work in progress that RPR believes should be corrected or rejected or should be uncovered for observation, or requires special testing, inspection or approval.
9. Inspections, Tests, and System Start-ups:
- a. Verify that tests, equipment, and systems start-ups and operating and maintenance training are conducted in the presence of appropriate Owner's personnel, and that Contractor maintains adequate records thereof.
 - b. Observe, record, and report to Engineer appropriate details relative to the test procedures and systems start-ups.
10. Records:
- a. Prepare a daily report or keep a diary or log book, recording Contractor's hours on the Site, Subcontractors present at the Site, weather conditions, data relative to questions of Change Orders, Field Orders, Work Change Directives, or changed conditions, Site visitors, deliveries of equipment or materials, daily activities, decisions, observations in general, and specific observations in more detail as in the case of observing test procedures; and send copies to Engineer.
 - b. Record names, addresses, fax numbers, e-mail addresses, web site locations, and telephone numbers of all Contractors, Subcontractors, and major Suppliers of materials and equipment.
 - c. Maintain records for use in preparing Project documentation.

11. Reports:

- a. Furnish to Engineer periodic reports as required of progress of the Work and of Contractor's compliance with the Progress Schedule and schedule of Shop Drawing and Sample submittals.
- b. Draft and recommend to Engineer proposed Change Orders, Work Change Directives, and Field Orders. Obtain backup material from Contractor.
- c. Immediately notify Engineer of the occurrence of any Site accidents, emergencies, acts of God endangering the Work, force majeure or delay events, damage to property by fire or other causes, or the discovery of any Constituent of Concern or Hazardous Environmental Condition.

12. Payment Requests: Review applications for payment with Contractor for compliance with the established procedure for their submission and forward with recommendations to Engineer, noting particularly the relationship of the payment requested to the Schedule of Values, Work completed, and materials and equipment delivered at the Site but not incorporated in the Work.

13. Certificates, Operation and Maintenance Manuals: During the course of the Work, verify that materials and equipment certificates, operation and maintenance manuals and other data required by the Contract Documents to be assembled and furnished by Contractor are applicable to the items actually installed and in accordance with the Contract Documents, and have these documents delivered to Engineer for review and forwarding to Owner prior to payment for that part of the Work.

14. Completion:

- a. Participate in Engineer's visits to the Site to determine Substantial Completion, assist in the determination of Substantial Completion and the preparation of a punch list of items to be completed or corrected.
- b. Participate in Engineer's final visit to the Site to determine completion of the Work, in the company of Owner and Contractor, and prepare a final punch list of items to be completed and deficiencies to be remedied.
- c. Observe whether all items on the final list have been completed or corrected and make recommendations to Engineer concerning acceptance and issuance of the notice of acceptability of the work.

D. The RPR shall not:

1. Authorize any deviation from the Contract Documents or substitution of materials or equipment (including "or-equal" items).
2. Exceed limitations of Engineer's authority as set forth in the Contract Documents.
3. Undertake any of the responsibilities of Contractor, Subcontractors, or Suppliers.
4. Advise on, issue directions relative to, or assume control over any aspect of the means, methods, techniques, sequences or procedures of Contractor's work.
5. Advise on, issue directions regarding, or assume control over security or safety practices, precautions, and programs in connection with the activities or operations of Owner or Contractor.

6. Participate in specialized field or laboratory tests or inspections conducted off-site by others except as specifically authorized by Engineer.

7. Accept Shop Drawing or Sample submittals from anyone other than Contractor.

8. Authorize Owner to occupy the Project in whole or in part.

SC-10.03C

Add the following new paragraph immediately after Paragraph 10.03B of the General Conditions which is to read as follows:

C. On this Project, by agreement with the Owner, Engineer will not furnish a Resident Project Representative to represent Engineer at the Site or assist Engineer in observing the progress and quality of the Work.

SC-10.05A.

Delete Paragraph 10.05A of the General Conditions in its entirety and replace it with the following:

A. Engineer will determine the actual quantities and classifications of Unit Price Work performed by Contractor. Engineer will review with Owner and Contractor the Engineer's preliminary determinations on such matters before rendering a written decision thereon (by recommendation of an Application for Payment or otherwise). Engineer's written decision thereon will be final and binding (except as modified by Engineer to reflect changed factual conditions or more accurate data) upon Contractor, subject to the provisions of paragraph 13.03.

SC-10.06B

Add the following Paragraph 10.06B immediately after Paragraph 10.07A of the General Conditions:

B. The rendering of a decision by Engineer pursuant to this Paragraph 10.07 with respect to any such Claim, dispute, or other matter (except any which have been waived by the making or acceptance of final payment as provided in paragraph 15.06) will be a condition precedent to any exercise by Contractor of such rights or remedies as Contractor may otherwise have under the Contract Documents or by Laws or Regulations in respect of any such Claim, dispute, or other matter.

ARTICLE 11 - CHANGES TO THE CONTRACT

SC-11.07B.2

Delete Paragraph 11.07B.2. of the General Conditions in its entirety.

SC-11.07C.1.

Delete Paragraph 11.07C.1 of the General Conditions in its entirety.

SC-11.07C.2.

Delete "15 percent" in the second line of Paragraph 11.07C.2.a of the General Conditions and replace with "20 percent".

SC-11.07C.2.b.

In Paragraph 11.07C.2.b, before the semicolon add the following words "based on subcontractor's Cost of the Work";

Delete "5 percent" in Paragraph 11.07C.2.b of the General Conditions and replace with "7-1/2 percent."

Delete "15 percent" in the third line of Paragraph 11.07C.2.c, of the General Conditions and replace with "20 percent" and delete "5 percent" in the seventh line and replace with "7-1/2 percent."

ARTICLE 13 - COST OF THE WORK; ALLOWANCES; UNIT PRICE WORK

SC-13.01B.1.

Delete the second sentence in Paragraph 13.01B.1. of the General Conditions in its entirety and replace with the following:

Such employees shall include foremen at the site.

SC-13.03E.

Delete Paragraph 13.03E. of the General Conditions in its entirety and replace with the following:

E. The unit price of an item of Unit Price Work shall be subject to re-evaluation and adjustment under the following conditions:

1. if the total cost of a particular item of Unit Price Work amounts to 5 percent or more of the Contract Price and the variation in the quantity of that particular item of Unit Price Work performed by Contractor differs by more than 15 percent above the estimated quantity of such item indicated in the Agreement; and
2. if there is no corresponding adjustment with respect to any other item of Work; and
3. if Contractor believes that Contractor has incurred additional expense as a result thereof; or if Owner believes that the quantity variation entitles Owner to an adjustment in the unit price, either Owner or Contractor may make a claim for an adjustment in the Unit Price for that quantity by which the actual quantity exceeds 115% of the estimated quantity in accordance with Article 12 if the parties are unable to agree as to the effect of any such variations in the quantity of Unit Price Work performed.

ARTICLE 14 - TESTS AND INSPECTIONS; CORRECTION, REMOVAL OR ACCEPTANCE OF DEFECTIVE WORK

SC-14.06B.

Add the following new paragraph immediately after Paragraph 14.06A. of the General Conditions to read as follows:

B. If Owner stops Work under Paragraph 14.06A. Contractor shall not be entitled to any extension of Contract Time or increase in Contract Price.

ARTICLE 15 - PAYMENTS TO CONTRACTOR; SET-OFFS; COMPLETION; CORRECTION PERIOD

SC-15.01B.1.

In the first sentence of Paragraph 15.01.B.1 of the General Conditions delete the number "20" and replace with the number "10".

SC-15.01B.4.

Delete the word "Agreement" and replace it with "Contract Documents" in Paragraph SC-15.01B.4 of the General Conditions.

SC-15.01B.5.

Add the following new paragraph immediately after Paragraph 15.01B.4 of the General Conditions which is to read as follows:

5. Contractor shall furnish evidence that payment received on the basis of materials and equipment not incorporated and suitably stored, has in fact been paid to the respective supplier(s) within sixty (60) days of payment by Owner. Failure to provide such evidence of payment may result in the withdrawal of previous approval(s) and removal of the cost of related materials and equipment from the next submitted Application for Payment.

SC-15.01B.6.

Add the following three new paragraphs immediately after Paragraph 15.01B.4 of the General Conditions which are to read as follows:

6. With each Application for Payment, the CONTRACTOR shall submit certified payrolls for all his employees that performed work on the project for the payment application period and for all Subcontractors' employees to demonstrate compliance with Rhode Island General Laws Chapter 37-13-1 through 37-13-7 and State of Rhode Island Department of Labor prevailing wage requirements. Certified payrolls shall be prepared and submitted on the "Statement of Compliance" forms as prescribed and in accordance with the State of Rhode Island Department of Labor.

7. The form used for preparation and submission of Applications for Payments shall be AIA Form G702 and G703, which shall be provided by the Contractor, unless another form is approved by the OWNER prior to the submission of the first Application for Payment.

8. Applications for Payments shall be submitted monthly by Contractor.

SC-15.01.C.1.

Delete the words "within 10 days" from the first sentence of Paragraph 15.01.C.1 of the General Conditions.

SC-15.01D.1.

In paragraph 15.01D.1. of the General Conditions delete the word "Ten days".

SC-15.01D.1.

Add the following new paragraphs immediately after Paragraph 15.01D.1. of the General Conditions which are to read as follows:

2. Should Contractor neglect to pay any undisputed claims, made in writing to Owner within thirty days after completion of the Work, but continuing unsatisfied for a period of ninety days, Owner may pay such claim and deduct the amount thereof from the balance due Contractor. Owner may also, with the written consent of Contractor, use any monies retained, due, or to become due under this Contract for the purpose of paying for both labor and materials for the Work, for which claims have not been filed.
3. Security is provided both by the Payment Bond and the power of Owner to retain any monies for claims, but payment by one shall in no way impair or discharge the liability of the other.
4. All monies paid by Owner in settlement of liens, with the costs and expenses incurred by Owner in connection therewith, shall be charged to Contractor, shall bear interest at the rate of three percentage points above the rediscount rate then charged by the Federal Reserve Bank, and shall be deducted from the next payment due Contractor under the terms of this Contract.

SC-15.01E.1.m

Add the following new paragraph immediately after Paragraph 15.01.E.1 of the General Conditions which is to read as follows:

- m. Invoices submitted by Contractor for work that exceeds 90 days, following completion of said work. Time is of the essence for Contractor to promptly submit invoices to Owner for review and processing and Owner reserves the right to withhold or refuse payment for invoices for work completed over 90 days prior.

SC-15.01E.2.

Delete the word "promptly" from both the first and second sentences of Paragraph 15.01E.2 of the General Conditions.

SC-15.01E.3.

Delete Paragraph 15.01.E.3 of the General Conditions in its entirety.

SC-15.02

Add the following new paragraphs immediately after Paragraph 15.02A of the General Conditions which are to read as follows:

- B. The Contractor shall immediately satisfy any Lien or encumbrance which, because of any act or default of the Contractor, is filed against the premises of the project, and shall indemnify and save the Owner harmless against all resulting loss and expense, including attorney's fees. In addition, monies due under this Contract, as may be considered necessary by the Owner, may be retained by the Owner until all such suits, claims for damages, or expense, etc. shall have been settled and paid.

C. No materials or supplies for the Work shall be purchased by Contractor or Subcontractor subject to any chattel mortgage or under a conditional sale contract or other agreement by which an interest is retained by the seller. Contractor warrants that Contractor has good title to all materials and supplies used by Contractor in the Work, free from all liens, claims or encumbrances.

D. Contractor shall defend, indemnify and save Owner and Engineer harmless from all claims growing out of the lawful demands of Subcontractors, laborers, workmen, mechanics, materialmen, and furnishers of machinery and parts thereof, equipment, power tools, and all supplies, including commissary, incurred in the furtherance of the performance of this Contract. Contractor shall at Owner's request, furnish satisfactory evidence that all obligations of the nature hereinabove designated have been paid, discharged, or waived. If Contractor fails to do so, then Owner may, after having served written notice on the said Contractor either pay unpaid bills, of which Owner has written notice, direct, or withhold from the Contractor's unpaid compensation a sum of money deemed reasonably sufficient to pay any and all such lawful claims until satisfactory evidence is furnished that all liabilities have been fully discharged whereupon payment to Contractor shall be resumed, in accordance with the terms of this Contract, but in no event shall the provisions of this sentence be construed to impose any obligations upon Owner to either Contractor or Contractor's Surety. In paying any unpaid bills of the Contractor, Owner shall be deemed the agent of Contractor and any payment so made by Owner shall be considered as payment made under the Contract by Owner to Contractor and Owner shall not be liable to Contractor for any such payment made in good faith.

SC-15.03.F.

Delete Paragraph 15.03.F of the General Conditions in its entirety.

SC-15.05.B.

Add the following new paragraph immediately after Paragraph 15.05.A of the General Conditions which is to read as follows:

B. Upon completion of the Work, the Contractor shall deliver to the Owner all required certificates of testing and inspection.

SC-15.06.A.4.

Add the following new paragraph immediately after Paragraph 15.06.A.3 of the General Conditions which is to read as follows:

4. Prior to preparation of the punch list by the Engineer, the Contractor and his Subcontractors shall submit their respective certificates of contract document compliance with Contractor's written notice that the Work is complete. After Final Completion, including completion of all punch list items, the Owner will consider processing of the final Application for Payment only after receipt of: 1) warranties and guaranties; 2) operations and maintenance manuals; 3) record (as-built) drawings; 4) Contractor's affidavits; 5) consent of surety; 6) extra materials and samples required for Owner; 7) lien waivers and releases; and 8) occupancy permit, if required. Completion of the Project shall be construed to include accomplishment and acceptance of punch list items.

SC-15.06B.

Delete Paragraph 15.06B of the General Conditions in its entirety and replace with the following:

Engineer's Review of Final Application and Recommendation of Payment: If, on the basis of Engineer's observation of the Work during construction and final inspection, and Engineer's review of the final Application for Payment and accompanying documentation - all as required by the Contract Documents, Engineer is satisfied that the Work has been completed and Contractor's other obligations under the Contract Documents have been fulfilled, Engineer will indicate in writing Engineer's recommendation of payment and present the Application to Owner for payment. Thereupon Engineer will give written notice to Owner and Contractor that the Work is acceptable subject to the provisions of paragraph 15.07. Otherwise, Engineer will return the Application to Contractor, indicating in writing the reasons for refusing to recommend final payment, in which case Contractor shall make the necessary corrections and resubmit the Application. If the Application and accompanying documentation are appropriate as to form and substance, Owner shall in accordance with the applicable laws and regulations, pay Contractor the amount recommended by Engineer.

SC-15.06E.

Delete the word "Thirty" and replace it with "Ninety" in Paragraph 15.06E of the General Conditions.

SC-15.06F.

Add the following new paragraph immediately after Paragraph 15.06E. of the General Conditions which is to read as follows:

F. Final payment will be reduced by the amount of excessive costs of plant inspection of pipe. Excessive costs are defined as the inspection costs incurred by Owner for that amount of pipe which exceeds 125 percent of the aggregate length of each type installed.

ARTICLE 16 - SUSPENSION OF WORK AND TERMINATION

SC-16.02A.5.

Add the following new paragraph immediately after Paragraph 16.02.A.4 of the General Conditions which is to read as follows:

5. If Contractor abandons the Work, or sublets this Contract or any part thereof, without the previous written consent of Owner, or if the Contract or any claim thereunder shall be assigned by Contractor otherwise than as herein specified.

SC-16.04

Delete Paragraph 16.04 of the General Conditions in its entirety.

ARTICLE 17 - FINAL RESOLUTION OF DISPUTES

SC-17.01

Delete Paragraph 17.01 of the General Conditions in its entirety and replace it with the following:

17.01 *Conditions*

A. As a precondition to the implementation of action under this Article 17, the claim, when applicable, must be made and a decision rendered in accordance with the provisions of Paragraphs 10.06 and 12.01 as they apply to each party under the Contract Documents.

B. By entering into the Contract, the Owner and Contractor agree that time is of the essence in resolving any disputes and that failure to make any claim for damages or delays in accordance with the requirements and time constraints set forth in the Contract Documents shall nullify the claim and the claimant shall waive his rights to further action provided by the Contract or laws and waive its right to litigate the claim.

C. The location of all meetings for negotiations and mediation shall be the Owner's offices, with the actual physical location to be determined by the Owner.

D. It is understood and accepted by all parties that any agreement reached as a result of this Article resolving a dispute will require the final approval of the City of Providence Board of Contract and Supply before the agreement can be finalized and executed.

SC-17.02

Add the following new paragraph immediately after Paragraph 17.01 of the General Conditions which is to read as follows:

17.02 *Negotiations*

A. If either the Owner or Contractor chooses to appeal the Engineer's decision rendered under Article 12 as applicable, or for unresolved claims not requiring such a decision, the Owner or Contractor must, within 15 days of the date of the Engineer's decision, deliver to the Engineer and to the opposing party a written notice requesting that the negotiation procedures of this Article be initiated. Within 15 days after the initial written notice, the opposing party must submit its written response to the Engineer and the other party. The initial notice and the response must include a statement of each party's position on the claim, a summary of the party's arguments supporting its position, and the name and title of the Principal who will represent the party and the names and titles of each person who will be attending the negotiations. The Principals representing each party must be at a higher management level than the persons responsible for administering the Work and have authority to make decisions that settle the claim, subject to the provisions of paragraph 17.01.D.

B. The initial negotiations meeting will be scheduled by the Engineer and must be held within 30 days of the date of the initial written notice. Within 10 days of the date of such notice to the Engineer and opposing party, the Engineer will contact each party and arrange and schedule a mutually agreeable time and date to meet. The Engineer will confirm in writing with each party the date, time and location of the meeting. All parties to the claim must make themselves available to a date within this period or the Engineer will establish a mandatory date and time for the meeting which both parties must attend. Failure to attend this meeting will result in the forfeiture of the claim by the party not attending and in that party's waiver of any rights to further pursue or litigate the claim.

C. The parties shall meet at the initially scheduled meeting and additional meetings arranged thereafter as necessary to attempt to resolve the claim. The parties shall use their best efforts to resolve the claim and shall consult and negotiate with each other in good faith. Recognizing their mutual interests, the parties shall attempt to reach a just and equitable resolution satisfactory to both parties. The Engineer shall attend

the negotiation meetings if requested by either party for the sole purpose of providing information pertinent to resolving the claim.

D. Conduct and statements made pursuant to this paragraph during the negotiation process, both written and verbal, shall be considered to have been made during compromised negotiations and shall not be admissible in any further litigation pursuant to Rule 408 of the Federal Rules of Evidence and State of Rhode Island counterparts and any similarly applicable rules.

E. Each party involved in the negotiation process shall be responsible for and pay its own costs incurred, including all administrative costs, costs of witnesses produced by the party, and legal costs and fees, and shall not pursue nor be entitled to reimbursement in any way from the opposing party.

F. If the parties do not reach a mutually acceptable resolution within 30 days of the initial meeting, either party may provide written notice to the opposing party terminating the negotiation process after that time.

SC-17.03

Add the following new paragraph immediately after new Paragraph 17.02 of the General Conditions which is to read as follows:

17.03 Non-Binding Mediation

A. Owner and Contractor agree that they shall submit any and all claims, counterclaims, disputes, or other matters in question between them arising out of or relating to the Contract Documents or the breach thereof that remain unsettled after negotiation to non-binding mediation prior to either of them initiating against the other a demand for arbitration under the Public Works Arbitration Act, if applicable, or litigation in Superior Court, as provided in Paragraph 17.04. Completion of the negotiation process of Paragraph 17.02 shall be a precondition to requesting non-binding mediation.

B. If the Owner and Contractor cannot reach a mutually agreeable resolution to the claim through negotiation as provided for in paragraph 17.02, either party may choose to deliver to the opposing party a request for non-binding mediation. The request for non-binding mediation must be delivered to the opposing party within 10 days of the date of the written notice terminating the negotiation process as provided under paragraph 17.02.F.

C. Representatives of each party authorized to make the decisions required of the non-binding mediation process shall meet within 15 days of the date of the request for non-binding mediation. Each party to the claim must provide the other with at least five dates within that period that they are available to meet and a meeting arranged on a mutually agreeable date. The failure of either party to attend a scheduled meeting will result in the forfeiture of the claim by that party and that party's waiver of any rights to further pursue or litigate the claim.

D. The parties shall meet in good faith to discuss the issues surrounding the non-binding mediation process and to negotiate to choose an outside party as a mediator for the proceedings. If after 15 days from the initial meeting of the parties they are unable to agree upon a mediator, each of the parties shall select a mediator of its own to represent them, and the two mediators selected shall meet with each other within 10 days of their selection and negotiate and select a single mediator (herein after referred to as the "mediator") for the proceedings.

E. The mediator shall establish the rules and procedures used during the mediation proceedings. All parties to the proceedings shall abide by the rules established by the mediator.

F. Conduct and statements made pursuant to this paragraph during the mediation process, both written and verbal, shall be considered to have been made during compromised negotiations and shall not be admissible in any further litigation pursuant to Rule 408 of the Federal Rules of Evidence and State of Rhode Island counterparts and any similarly applicable rules.

G. Each party involved in the mediation process shall be responsible for and pay its own costs incurred to present its case, including all administrative costs, costs of witnesses produced by the party, and legal costs and fees, and shall not pursue or be entitled to reimbursement in any way from the opposing party. The parties will equally divide and pay all costs for the services of the mediator and any witnesses or experts (having no direct or indirect connection to or interests in either party's behalf) produced at the direct request of the mediator, including administrative, travel and incidental expenses of both the mediator and such witnesses. If the parties were unable to agree on a single mediator and had to choose separate mediators to select the final mediator, each party shall be responsible for and pay all costs and expenses of the mediator that it chose, in addition to equally dividing the costs of the final mediator as described above.

H. If the parties do not reach a mutually acceptable resolution within 90 days of the initial meeting of the parties, either party may provide written notice to the opposing party terminating the mediation proceedings after that time.

SC-17.04.

Add the following new paragraph immediately after new Paragraph 17.03 of the General Conditions which is to read as follows:

17.04 Litigation and Public Works Arbitration

A. If the parties fail to reach a mutually acceptable agreement as a result of the non-binding mediation proceedings described in paragraph 17.03, the exclusive remedy remaining to the parties, unless the Work is subject to the provisions of the Public Works Arbitration Act of the State of Rhode Island General Laws, will be to file suit in Superior Court for Providence County, Rhode Island before the business calendar in that court. The Owner and Contractor agree to waive any claims that venue is inappropriate in this court.

B. If the parties fail to reach a mutually acceptable agreement as a result of the non-binding mediation proceedings described in Paragraph 17.03 and the Public Works Arbitration Act of Chapter 37-16 of the State of Rhode Island General Laws applies to the Work as determined by the contract types listed by Section 37-16-2 of the Chapter, then the Chapter shall apply and the context of Paragraph 37-16-2(b)(2) shall be in effect as if included in these Supplemental Conditions.

ARTICLE 18 - MISCELLANEOUS

SC-18.10.

Add the following new paragraphs immediately after Paragraph 18.10 of the General Conditions which are to read as follows:

18.11 Addresses

A. Both the address given in the Bid Form upon which this Agreement is founded, and Contractor's office at or near the site of the Work are hereby designated as places to either of which notices, letters, and other communications to Contractor shall be certified, mailed, or delivered. The delivering at the above-named place, or depositing in a postpaid wrapper directed to the first-named place, in any post office box regularly maintained by the post office department, of any notice, letter or other communication to Contractor shall be deemed sufficient service thereof upon Contractor; and the date of said service shall be the date of such delivery or mailing. The first-named address may be changed at any time by an instrument in writing, executed and acknowledged by Contractor, and delivered to Owner and Engineer. Nothing herein contained shall be deemed to preclude or render inoperative the service of any notice, letter, or other communication upon Contractor personally.

18.12 Wage Rates

A. The requirements and provisions of all applicable laws and any amendments thereof or additions thereto as to the employment of labor, and to the schedule of minimum wage rates established in compliance with laws shall be a part of these Contract Documents. Copies of the wage schedules are included in PART II of these Supplementary Conditions. If, after the Notice of Award, it becomes necessary to employ any person in a trade or occupation not classified in the wage determinations, such person shall be paid at not less than such rates as shall be determined by the officials administering the laws mentioned above. Such approved minimum rate shall be retroactive to the time of the initial employment of such person in such trade or occupation. Contractor shall notify Owner of Contractor's intention to employ persons in trades or occupations not classified in sufficient time for Owner to obtain approved rates for such trades or occupations.

B. The schedules of wages referred to above are minimum rates only, and Owner will not consider any claims for additional compensation made by Contractor because of payment by Contractor of any wage rate in excess of the applicable rate contained in these Contract Documents. All disputes between Contractor and employees of Contractor in regard to the payment of wages in excess of these specified in the schedules shall be resolved by Contractor.

C. The said schedules of wages shall continue to be the minimum rates to be paid during the life of this Agreement and a legible copy of said schedules shall be kept posted in a conspicuous place at the site of the work.

D. Both Federal and State schedules of minimum wage rates are included in PART II of these Supplementary Conditions. Where rates differ, the higher rates shall apply as a minimum for that trade.

E. The Contractor shall comply with all minimum wage rates in accordance with Rhode Island Department of Labor Laws (reference the General Laws of Rhode Island, Chapters 37-12 and 37-13, as amended). These rates may change without notice, and it is the responsibility of the Contractor to check and confirm at the time of the submission of a Bid that the rates used in the preparation of the Bid meet the most current wage rates issued. No additional compensation will be considered by the Owner for failure of the Contractor to comply with these requirements.

F. The Contractor shall regularly submit to the Owner, but no less frequently than his request for payment, certified payrolls for all his applicable employees performing work on the Project and for all his Subcontractors. Certified payrolls shall be submitted on "Statement of Compliance" forms or other such forms as prescribed and provided by the State of Rhode Island Department of Labor.

18.13 *Compliance*

A. All Subcontractors employed by the Contractor for the Work shall fully comply with the requirements of this Contract.

B. The Contractor shall bear full responsibility for compliance to the requirements of this Contract by both himself and by his Subcontractors. Submissions made to the Owner shall not relieve, nor be construed to relieve, the Contractor of this responsibility.

PART 2 - FEDERAL , STATE AND LOCAL GOVERNMENT PROVISIONS

Federal, State and Local Government Provisions included herein, have been selected from those to which specific references have been made elsewhere in the Contract Documents. Each and every other provision of law or clause required by law to be inserted in this Contract shall be deemed to be also inserted herein in accordance with Paragraph 3.01H of the Supplementary Conditions.

1. This Contract is subject to certain rules and regulations, especially those pertaining to bonds, labor and payment, minority/women businesses, disadvantaged business enterprises, and prevailing wage rates.
2. It is the responsibility of each Bidder to thoroughly research and make themselves fully aware of all Federal, State and Local laws, ordinances, regulations and requirements. It is the responsibility of each Bidder, Contractor, and all Subcontractors to ensure that they fully comply with all laws, ordinances, regulations and requirements.
3. Before a final payment and/or retainage is released, Contractor must submit a notarized confirmation by an officer of the company confirming that the Contractor and all their Subcontractors working on the Project have fully complied with all Federal, State and Local Labor laws, including but not limited to payment of prevailing wages and posting of said wages on-site.

1.0. FEDERAL GOVERNMENT PROVISIONS

1.1. Davis Bacon Act Requirements (Appendix H)

1.2. Federal Wage Rates

1.3. American Iron and Steel Requirements of P. L. 113-76, the Consolidated Appropriations Act of 2014 (Appendix G).

that the required procurement

1.4 EPA Debarment and Suspension (Appendix I)

1.5 EPA Prohibition on Certain Telecommunication and Video Surveillance (Appendix J)

1.6 EPA General Terms and Conditions (Appendix K)

1.7 EPA DBE Program (Section 00 10 00)

1.8 Regulations of the Secretary of Labor Anti-Kickback Act 40 U.S.C 276c (Appendix Q)

2.0. STATE GOVERNMENT PROVISIONS

2.1. Owner and Contractor agree that the following State Government Provisions apply to the work to be performed under this Contract and that these provisions supersede any conflicting provisions of this Contract.

2.2 State of Rhode Island General Laws: <http://webserver.rilin.state.ri.us/Statutes/>

2.3 State of Rhode Island General Law Chapter 37-13

The Contractor's attention is specifically called to the provisions of Rhode Island General Law Chapter 37-13, Sections 37-13-1 through 37-13-13, as amended. The Contractor shall fully adhere to all provisions of the latest revision of this Chapter. Appending the referenced Sections of this Chapter of the State of Rhode Island General Laws shall in no way limit the responsibilities of the CONTRACTOR to comply with this and all other applicable Federal, State, and local laws. The CONTRACTOR shall verify that they comply with the latest version of this and all other such applicable laws.

2.4 State of Rhode Island Department of Labor and Training (Current Wage Rate Determinations & Laws, Rules and Regulations): <https://dlt.ri.gov/>

2.5 State of Rhode Island Office of Diversity, Equity & Opportunity (MBE/WBE Directory Search): <http://odeo.ri.gov/>

2.6 State of Rhode Island Office of Diversity, Equity & Opportunity MBE Forms (Appendix L)

2.7 State Wage Rates (Appendix R)

3.0 CITY PROVIDENCE, RHODE ISLAND PROVISIONS

3.1 City of Providence Code of Ordinances: <https://council.providenceri.gov/city-clerk/>

3.2 The City of Providence has initiated, by Section 21-52 of its Code of Ordinances and by Executive Order No. 1992-01, a Minority & Women Business Enterprise program. This program, by inclusion and reference, shall be considered part of this section. All Work performed under this Project and Contract shall be carried out in accordance with the requirements of this program. Subcontractor Payment and Utilization Report and MBE/WBE Project Utilization Summary forms are included at Appendix N.

3.3 City of Providence Apprentice Utilization, Local Hiring Requirements, and Air Quality Protocols are attached to and included in Appendix O.

3.4 City of Providence Contract Terms & Conditions are attached to and included in Appendix P.

END OF SECTION 007300.16

ATTACHMENT 5

PROVIDENCE WATER SUPPLY BOARD (PWSB)
RIGHT OF ENTRY AND RELEASE FORM FOR LEAD SERVICE LINE REPLACEMENT.

PLEASE RETURN BY

PERSONAL CONTACT INFORMATION (REQUIRED)

Owner Name(s):

Stop Number:

Account Number:

Providence Water (“PWSB”) requests that you, as an owner of your Property (“**you**”), sign, complete, and return this document (“**Right of Entry**”) to grant PWSB’s Contractor and Representatives a right of entry onto your property, at the address (“**your Property**”), so PWSB may provide your Property with a lead service line replacement (the “**Work**”). *If you are a tenant*, please provide a copy of this Right of Entry to your landlord and have the landlord sign. *If your property is rented*, please notify your tenant of the scheduled work.

REASON FOR PWSB’S REQUEST FOR A RIGHT OF ENTRY:

LEAD SERVICE LINE REPLACEMENT: PWSB’s records indicate that the pipe from PWSB’s water main to your home may be made of lead. PWSB’s contractor will be replacing the service. PWSB’s Contractor, and other Representatives will need access to your Property to perform work associated with the lead service removal and replacement. Before beginning, PWSB’s Contractor will notify you when they will be on your Property to perform the work. It is your responsibility to provide reasonable access and a working area for the Contractor at the service line and water meter location as requested by the Contractor. The Contractor and PWSB Representatives may continue to enter onto your Property until construction is completed and you and PWSB accepts the work.

RIGHT-OF-ENTRY:

By signing and returning this Right of Entry, you grant PWSB, its Representatives and Contractor the right to enter your Property between the hours of 7:00 a.m. and 6:00 p.m. The right to enter your property is for the purpose of **replacement of your lead service line.**

PWSB’s Contractor will identify themselves prior to entering the property.

This Work involves shutting off your water service for an estimated eight (8) hours, removal of your existing lead water service, installation of a new copper service from the street to your home and through your basement to the existing water meter, connection to PWSB water main and flushing the new service. Work also involves interior work in the area of the water meter to install the new copper service from the exterior to the interior of the building, including plumbing work (e.g., new valves, backflow preventer, expansion tank, pressure reducing valve, etc.) in the area of the water meter to meet the current Plumbing Code.

All construction excavations will be backfilled, topped with topsoil, and seeded. Any removed asphalt or concrete will be replaced in-kind. The penetration through the building wall or floor will be sealed. No other restoration of existing internal surfaces, finishes or other features will be performed.

Any other items located in the way of the construction and disturbed during construction on private property outside the building (including but not limited to walls, fences, shrubs and other landscaping, brick sidewalks or driveways, and lawns requiring specific seed or sod), will not be restored. If disturbed by the Contractor, stones, fences, shrubs, plants, bricks, sod, etc., will be left on the property for re-use by the Owner, and the costs of re-installation or restoration shall be borne by the Owner. Neither PWSB nor the Contractor is responsible for damage to trees, shrubs, and living plant material disturbed as a result of construction operations to replace the private service line. The Owner will be required to dig up plant materials that they wish to save prior to the start of construction and provide the necessary protection for the plants during construction. The Owner will be responsible for the replanting of the plant material.

In consideration of the foregoing, you affirm that you are the lawful, recorded owner at your Property and hereby grant PWSB Right of Entry allowing PWSB and its contractors, agents, and employees to enter your Property, take photographs and videos of the interior and exterior of your property in the area of the water service line before and after installation, bring workers, material, equipment, and supplies onto your Property and to utilize your Property for the purpose of performing your lead service line replacement. The contractor's work is warranted for one (1) year after the replacement. If you have any issues or concerns with the work during this one-year period, please contact the Contractor that performed the work first (using the contact information provided by the Contractor) and allow 48 hours for the Contractor to respond. If you are not satisfied with their response, please contact PWSB Water Quality Hotline (401-521-6303).

IN CONSIDERATION OF AND AS A CONDITION TO THE PERFORMANCE OF THE LEAD SERVICE LINE REPLACEMENT, YOU, THE UNDERSIGNED, HEREBY RELEASE AND FOREVER DISCHARGE PWSB, ITS EMPLOYEES, AND LEGAL REPRESENTATIVE (COLLECTIVELY THE "PWSB") FROM ALL LIABILITY FOR INJURY, DEATH, DAMAGE, OR LOSS TO PERSONS, REAL PROPERTY, OR PERSONAL PROPERTY IN CONNECTION WITH THE PERFORMANCE OF THE LEAD SERVICE LINE REPLACEMENT. YOU UNDERSTAND THAT PWSB'S CONTRACTOR ACTUALLY PERFORMING THE WORK WILL BE RESPONSIBLE FOR ANY CLAIM IN CONNECTION TO THIS RIGHT OF ENTRY FOR DAMAGE TO YOUR PROPERTY OR ASSETS ON YOUR PROPERTY.

PW AND ITS CONTRACTOR ARE NOT RESPONSIBLE FOR ANY DAMAGE CAUSED BY FAULTY EXISTING ELECTRICAL (SUCH AS INCORRECT GROUNDING) OR PLUMBING SYSTEMS WITHIN YOUR HOME OR ON YOUR PROPERTY. IF PW OR ITS CONTRACTOR DETECT ANY IMPROPER ELECTRICAL OR GROUNDING, THE PROPERTY OWNER WILL BE NOTIFIED TO FIRST CONTACT AN ELECTRICIAN TO CORRECT THE ELECTRICAL ISSUES BEFORE THE LEAD SERVICE LINE REPLACEMENT WORK CAN PROCEED.

SIGN BELOW:

Name (Property Owner/Authorized Tenant):

Property Address (Street Number & Street Name): _____

Signature

Date

Mailing Address (Street Number & Street Name)

NO, I CHOOSE NOT TO REPLACE MY LEAD SERVICE LINE

I, the undersigned, **choose not to replace** the portion of lead service line which I own.

Printed Name

Date

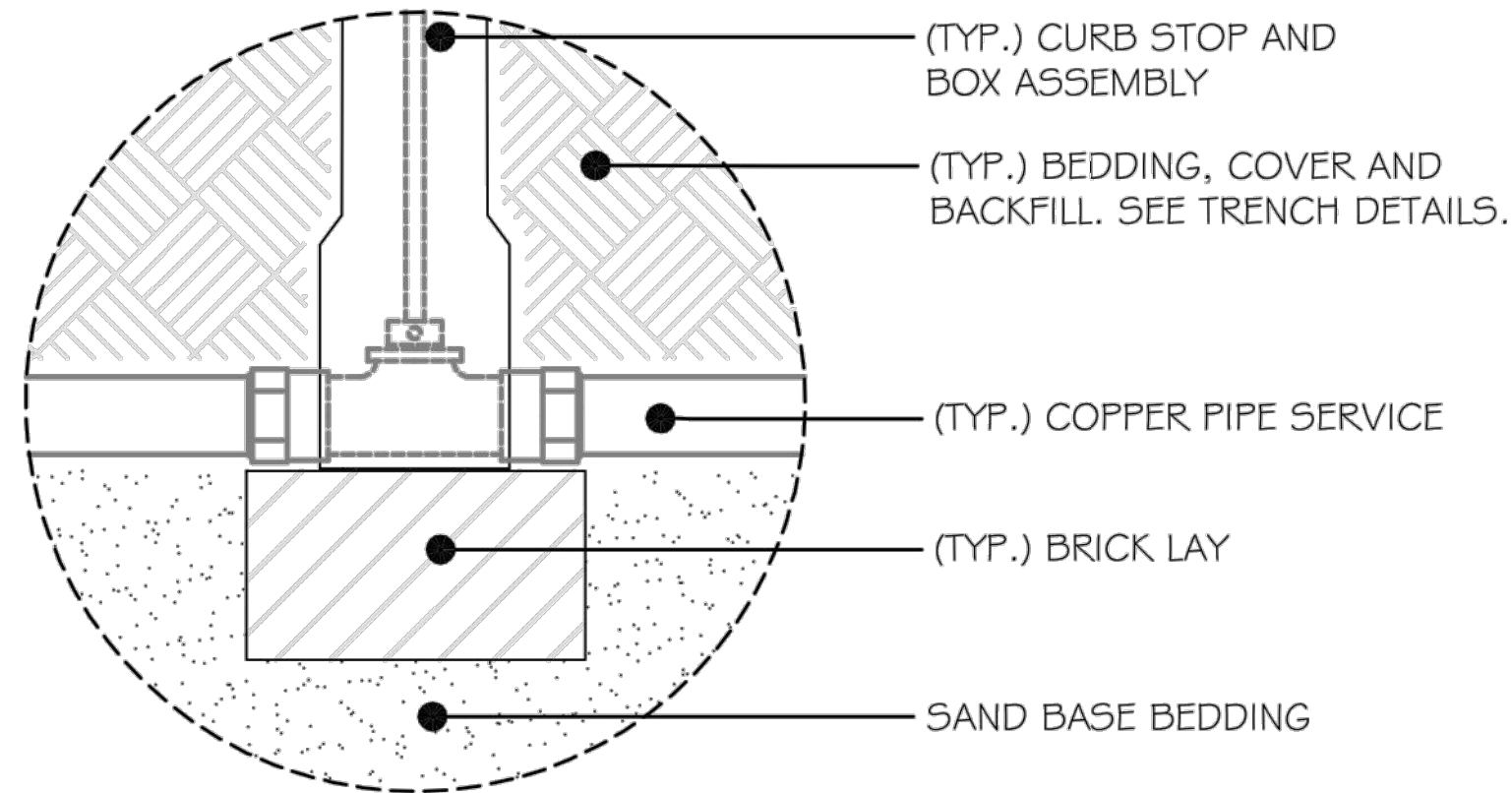
Signature

Telephone Number

Your feedback is important to us. Please check the reason for choosing not to participate in Providence Water's FREE Lead Service Line Replacement Program:

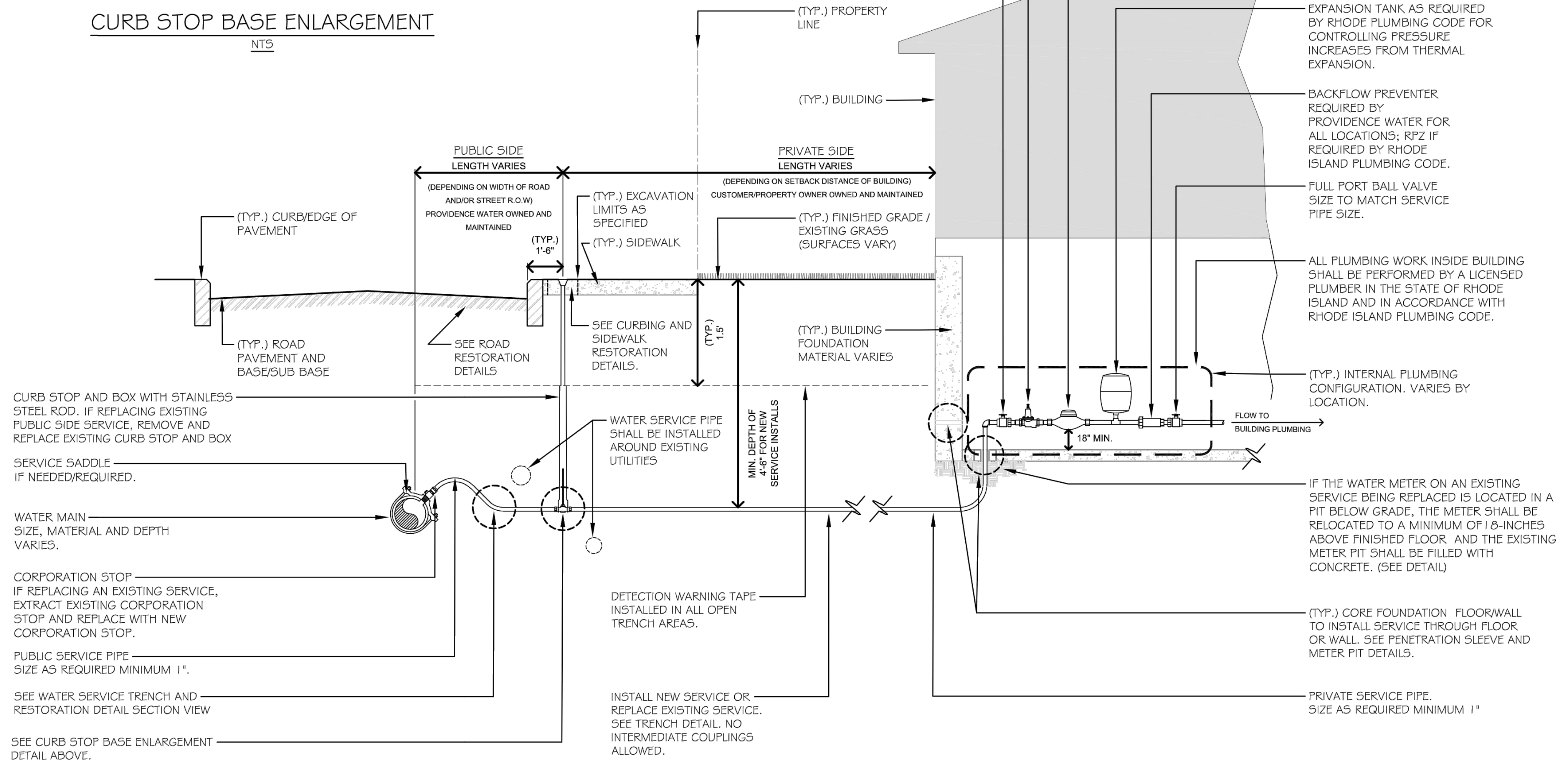
- I am not concerned about lead in drinking water.
- I want to be able to hire my own contractor.
- Other – please explain:

ATTACHMENT 6



CURB STOP BASE ENLARGEMENT

NTS



CURB STOP AND BOX WITH STAINLESS STEEL ROD. IF REPLACING EXISTING PUBLIC SIDE SERVICE, REMOVE AND REPLACE EXISTING CURB STOP AND BOX

SERVICE SADDLE IF NEEDED/REQUIRED.

WATER MAIN SIZE, MATERIAL AND DEPTH VARIES.

CORPORATION STOP IF REPLACING AN EXISTING SERVICE, EXTRACT EXISTING CORPORATION STOP AND REPLACE WITH NEW CORPORATION STOP.

PUBLIC SERVICE PIPE SIZE AS REQUIRED MINIMUM 1".

SEE WATER SERVICE TRENCH AND RESTORATION DETAIL SECTION VIEW

SEE CURB STOP BASE ENLARGEMENT DETAIL ABOVE.

WATER SERVICE PIPE SHALL BE INSTALLED AROUND EXISTING UTILITIES

DETECTION WARNING TAPE INSTALLED IN ALL OPEN TRENCH AREAS.

INSTALL NEW SERVICE OR REPLACE EXISTING SERVICE. SEE TRENCH DETAIL. NO INTERMEDIATE COUPLINGS ALLOWED.

FULL PORT BALL VALVE SIZE TO MATCH SERVICE PIPE SIZE.

PRESSURE REDUCING VALVE AS REQUIRED BY RHODE ISLAND PLUMBING CODE. STATIC PRESSURE TO BUILDING SHALL NOT EXCEED 80 PSI.

WATER METER FOR NEW SERVICE CONNECTIONS SIZED AND PROVIDED BY PROVIDENCE WATER. WHEN REPLACING EXISTING SERVICE CONNECTION, EXISTING METER TO BE REMOVED AND RESET BY CONTRACTOR/ PLUMBER.

EXPANSION TANK AS REQUIRED BY RHODE PLUMBING CODE FOR CONTROLLING PRESSURE INCREASES FROM THERMAL EXPANSION.

BACKFLOW PREVENTER REQUIRED BY PROVIDENCE WATER FOR ALL LOCATIONS; RPZ IF REQUIRED BY RHODE ISLAND PLUMBING CODE.

FULL PORT BALL VALVE SIZE TO MATCH SERVICE PIPE SIZE.

ALL PLUMBING WORK INSIDE BUILDING SHALL BE PERFORMED BY A LICENSED PLUMBER IN THE STATE OF RHODE ISLAND AND IN ACCORDANCE WITH RHODE ISLAND PLUMBING CODE.

(TYP.) INTERNAL PLUMBING CONFIGURATION. VARIES BY LOCATION.

IF THE WATER METER ON AN EXISTING SERVICE BEING REPLACED IS LOCATED IN A PIT BELOW GRADE, THE METER SHALL BE RELOCATED TO A MINIMUM OF 18-INCHES ABOVE FINISHED FLOOR AND THE EXISTING METER PIT SHALL BE FILLED WITH CONCRETE. (SEE DETAIL)

(TYP.) CORE FOUNDATION FLOOR/WALL TO INSTALL SERVICE THROUGH FLOOR OR WALL. SEE PENETRATION SLEEVE AND METER PIT DETAILS.

PRIVATE SERVICE PIPE. SIZE AS REQUIRED MINIMUM 1"

RESIDENTIAL WATER SERVICE CONNECTION SCHEMATIC - ELEVATION VIEW

NOT TO SCALE

GENERAL NOTES:

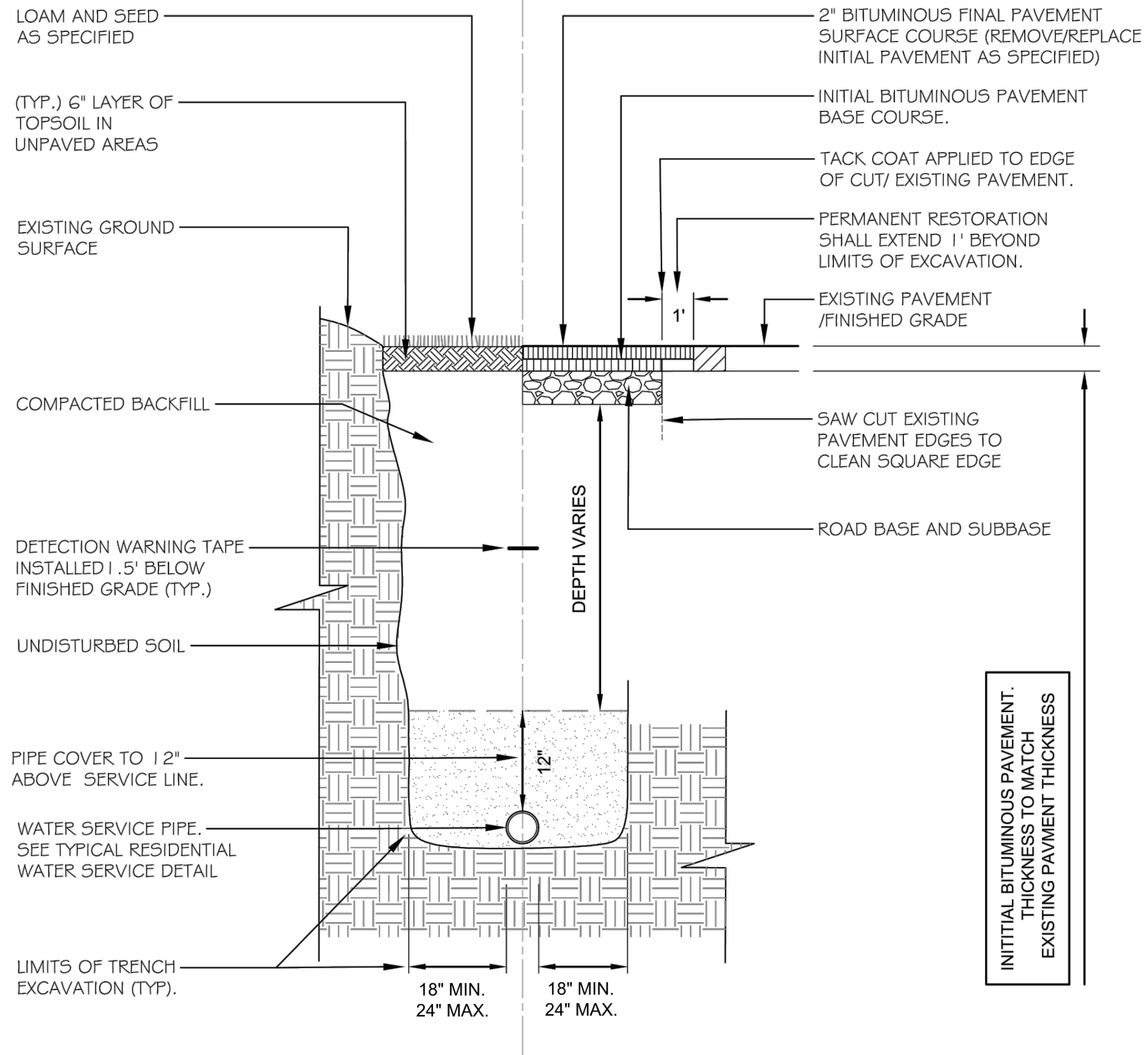
1. THIS DETAIL REPRESENTS TYPICAL CONDITIONS AND WATER SERVICE CONNECTION DETAILS AND REQUIREMENTS. EACH LOCATION WILL VARY BASED ON SITE-SPECIFIC CONDITIONS.
2. PUBLIC SIDE SERVICE OWNED AND MAINTAINED BY PROVIDENCE WATER IS FROM THE WATER MAIN UP TO AND INCLUDING THE CURB STOP AND BOX. PRIVATE SIDE SERVICES IS OWNED AND MAINTAINED BY THE PROPERTY OWNER AND IS FROM THE CURB STOP INTO THE BUILDING. ALL EXISTING WATER METERS INSIDE BUILDINGS ARE OWNED BY PROVIDENCE WATER. ALL OTHER INTERNAL PLUMBING INSIDE BUILDINGS IS OWNED BY PROPERTY OWNER.
3. THE MAXIMUM ALLOWABLE LENGTH OF A SERVICE CONNECTION TO A BUILDING FROM THE CURB STOP IS 100 FEET (NO COUPLINGS ALLOWED). ABOVE GROUND HEATED ENCLOSURES ARE REQUIRED FOR DISTANCES EXCEEDING 100 FEET.
4. WATER SERVICE CONNECTIONS MAY BE INSTALLED OR REPLACED BY OPEN CUT OR TRENCHLESS CONSTRUCTION METHODS AS SPECIFIED. TRENCHLESS METHODS SHALL BE UTILIZED WHEREVER POSSIBLE, ESPECIALLY WHEN REPLACING EXISTING SERVICE CONNECTIONS.
5. CONTRACTOR SHALL PROVIDE ALL MATERIALS, EQUIPMENT, TOOLS, LABOR, SERVICES, APPURTENANCES, AND INCIDENTALS TO COMPLETE ALL REQUIRED WORK AS SHOWN AND AS SPECIFIED.
6. CONTRACTOR IS RESPONSIBLE FOR ALL REQUIRED BONDS, INSURANCE, AND PERMITS TO COMPLETE ALL WORK.
7. ALL NEW MATERIALS SHALL MEET LEAD FREE STANDARDS AS SPECIFIED. ALL MATERIALS SHALL BE AS SPECIFIED BY PROVIDENCE WATER AND IN ACCORDANCE WITH PROVIDENCE WATER APPROVED MATERIALS AND MANUFACTURERS.
8. BEFORE ANY WORK COMMENCES ON PRIVATE PROPERTY RELATED TO PRIVATE SIDE WATER SERVICE CONNECTIONS, A PROPERLY SIGNED AND EXECUTED AGREEMENT (RIGHT-OF-ENTRY (ROE)) FORM MUST BE OBTAINED FROM THE PROPERTY OWNER AND BE IN THE POSSESSION OF AND APPROVED BY PROVIDENCE WATER.
9. CONTRACTOR SHALL COORDINATE ALL WATER SERVICE CONNECTION WORK AND ACTIVITIES WITH PROVIDENCE WATER, PROVIDENCE WATER'S REPRESENTATIVES (INSPECTORS, ENGINEERS, ETC.), PROPERTY OWNER(S), AND RESIDENT(S)/TENANT(S).
10. CONTRACTOR IS RESPONSIBLE FOR ALL NEEDED AND REQUIRED ENVIRONMENTAL PROTECTION MEASURES; SEDIMENTATION AND EROSION CONTROL MEASURES; TRAFFIC/PEDESTRIAN CONTROL AND MANAGEMENT DEVICES, EQUIPMENT AND MEASURES; AND FOR PROVIDING ALL UNIFORMED TRAFFIC CONTROL (POLICE DETAILS AND/OR FLAGGERS).
11. CORPORATION STOP SHALL BE DIRECT TAPPED ON CAST-IRON (CI) AND DUCTILE-IRON (DI) WATER MAINS. SERVICE SADDLES SHALL BE USED ON ASBESTOS CEMENT (AC) WATER MAINS.
12. FOR NEW INSTALLATIONS, WATER SERVICE CONNECTIONS SHALL NOT BE INSTALLED IN THE SAME TRENCH AS AND SHALL BE AT LEAST 25 FEET AWAY FROM ANY SEWAGE DISPOSAL SYSTEM, SEPTIC TANK, OR CESSPOOL. WATER SERVICE CONNECTIONS CLOSER THAN THESE ALLOWABLE DISTANCES SHALL BE ENCASED IN A WATERTIGHT CARRIER PIPE (SCHEDULE 40 PVC PIPE). JOINTS OF THE PVC CARRIER PIPE SHALL BE JOINED TOGETHER AND SEALED TO FORM WATERTIGHT CONNECTIONS. END SECTIONS OF THE PVC CARRIER PIPE SHALL BE FITTED WITH MECHANICAL DEVICES TO WATERTIGHT SEAL THE ENDS AND THE SPACES BETWEEN THE WATER SERVICE PIPE AND THE PVC CARRIER PIPE. WATER SERVICE CONNECTIONS SHALL BE LOCATED ABOVE ANY DRAIN OR SEWER WITH AT LEAST 12" VERTICAL SEPARATION. IF WATER SERVICE CROSSES ANY DRAIN OR SEWER LINE, DRAIN / SEWER SHALL BE CONCRETE ENCASED IN 6" OF CONCRETE FOR 10' ON EACH SIDE OF WATER SERVICE.
13. ALL PLUMBING WORK INSIDE BUILDINGS SHALL BE PERFORMED BY A LICENSED PLUMBER IN THE STATE OF RHODE ISLAND AND IN ACCORDANCE WITH RHODE ISLAND PLUMBING CODE.
14. EXISTING MATERIALS REMOVED DURING CONSTRUCTION (THAT ARE NOT FOR REUSE) SHALL BE REMOVED AND DISPOSED OF BY THE CONTRACTOR AS REQUIRED AND SPECIFIED AND IN ACCORDANCE WITH ALL FEDERAL, STATE, AND LOCAL LAWS, REGULATIONS, AND/OR REQUIREMENTS.
15. CONTRACTOR SHALL RESTORE SURFACE FEATURES (ROADS, SIDEWALKS, AND GRASS AREAS) DISTURBED DURING CONSTRUCTION TO A CONDITION EQUAL TO OR BETTER THAN PRE-CONSTRUCTION CONDITIONS AS SPECIFIED AND IN ACCORDANCE WITH ALL MUNICIPAL PERMIT CONDITIONS.
16. FOR CONCRETE SIDEWALK RESTORATION, THE CONTRACTOR SHALL REPLACE ENTIRE CONCRETE SIDEWALK PANEL(S) WITHIN LIMITS OF DISTURBANCE. LIMITS OF SIDEWALK REPLACEMENT SHALL BE AT EXISTING CONTROL JOINTS. PARTIAL SIDEWALK REPLACEMENT/PATCHING IS NOT ACCEPTABLE OR PERMITTED. SAVING AND REINSTALLING EXISTING SIDEWALK PANELS IS ALSO NOT ACCEPTABLE OR PERMITTED. CONCRETE SIDEWALK RESTORATION SHALL BE AS SPECIFIED AND IN ACCORDANCE WITH ALL MUNICIPAL PERMIT CONDITIONS. PROVIDENCE WATER MAY DIRECT CONTRACTOR TO ALSO REPLACE ADDITIONAL ADJACENT SIDEWALK PANELS.
17. CONTRACTOR SHALL REPAIR AND WATERTIGHT SEAL ALL FOUNDATION FLOOR AND/OR WALL PENETRATIONS.
18. ANY ITEMS (INCLUDING BUT NOT LIMITED TO WALLS, FENCES, SHRUBS, PLANTS, LIVING PLANT MATERIAL, LANDSCAPING, STONES, PAVERS, BRICK SIDEWALKS OR DRIVEWAYS, ETC.) ON PRIVATE PROPERTY THAT ARE DISTURBED BY CONTRACTOR DURING CONSTRUCTION SHALL BE LEFT IN GOOD/EXISTING CONDITION BY CONTRACTOR FOR REUSE BY THE PROPERTY OWNER(S)/RESIDENT(S). CONTRACTOR SHALL USE CARE AND CAUTION TO PROTECT, PRESERVE, AND NOT DAMAGE ANY ITEMS ON PRIVATE PROPERTY.
19. CONTRACTOR IS RESPONSIBLE FOR REPAIRING ANY DAMAGE CAUSED BY THE CONTRACTOR TO ANY ADJACENT UTILITIES AND ANY ITEMS ON PRIVATE PROPERTY.

TYPICAL RESIDENTIAL WATER SERVICE CONNECTION - GENERAL NOTES SECTION

NOT TO SCALE

UNPAVED AREAS

PAVED AREAS



GENERAL NOTES:

1. THIS DETAIL REPRESENTS TYPICAL CONDITIONS AND RESTORATION REQUIREMENTS.
2. CONTRACTOR SHALL PROVIDE ALL MATERIALS, EQUIPMENT, TOOLS, LABOR, SERVICES, APPURTENANCES, AND INCIDENTALS TO COMPLETE ALL REQUIRED WORK AS SHOWN AND AS SPECIFIED.
3. CONTRACTOR IS RESPONSIBLE FOR ALL REQUIRED BONDS, INSURANCE, AND PERMITS TO COMPLETE ALL WORK.
4. ALL PAVING AND RESTORATION WORK SHALL BE AS SPECIFIED AND IN ACCORDANCE WITH ALL MUNICIPAL PERMIT CONDITIONS.
5. CONTRACTOR IS RESPONSIBLE FOR ALL NEEDED AND REQUIRED ENVIRONMENTAL PROTECTION MEASURES; SEDIMENTATION AND EROSION CONTROL MEASURES; TRAFFIC/PEDESTRIAN CONTROL AND MANAGEMENT DEVICES, EQUIPMENT AND MEASURES; AND FOR PROVIDING ALL UNIFORMED TRAFFIC CONTROL (POLICE DETAILS AND/OR FLAGGERS).
6. ALL TRAFFIC CONTROL SHALL BE IN ACCORDANCE WITH THE MANUAL ON UNIFORM TRAFFIC CONTROL DEVICES (MUTCD) FOR STREETS AND HIGHWAYS.
7. BEDDING AND BACKFILL MATERIALS SHALL BE AS SPECIFIED AND PLACED IN MAXIMUM 12" LIFTS COMPACTED AS SPECIFIED TO MINIMUM 95% COMPACTION.
8. INITIAL BITUMINOUS PAVEMENT SHALL MATCH EXISTING PAVEMENT THICKNESS AND BE MINIMUM 4" THICK AND MATCH EXISTING GRADE.
9. TEMPORARY TRAFFIC STRIPES AND PAVEMENT MARKINGS SHALL BE PLACED IMMEDIATELY UPON THE PLACEMENT OF TEMPORARY OR INITIAL PAVEMENT. ALL PERMANENT TRAFFIC STRIPES AND PAVEMENT MARKINGS TO BE PLACED AFTER FINAL PAVING TO REPLACE ANY DISTURBED DURING CONSTRUCTION.
10. MAXIMUM PAY WIDTH FOR PIPE TRENCH IS 12" ON EITHER SIDE OF PIPE. MAXIMUM PAY WIDTH FOR WATER SERVICE TRENCH IS 4' TOTAL WIDTH.
11. FINAL PAVEMENT FOR ROADS UNDER MORATORIUM (WHERE WORK IS APPROVED TO BE PERFORMED BY THE LOCAL MUNICIPALITY) SHALL BE INFRA-RED REPAIRED TO CREATE SEAMLESS OVERLAY OF NEW PAVEMENT WITH EXISTING PAVEMENT.
12. CONTRACTOR IS RESPONSIBLE FOR REPAIRING ANY DAMAGE CAUSED BY THE CONTRACTOR TO ANY ADJACENT UTILITIES AND DAMAGE CAUSED TO PUBLIC OR PRIVATE PROPERTY.
13. CONTRACTOR IS RESPONSIBLE FOR SCHEDULING AND COORDINATING ALL REQUIRED FINAL PAVEMENT INSPECTIONS WITH THE RESPECTIVE JURISDICTION (LOCAL MUNICIPALITY, RIDOT, ETC.).

INITIAL BITUMINOUS PAVEMENT THICKNESS TO MATCH EXISTING PAVEMENT THICKNESS

SECTION VIEW

TYPICAL WATER SERVICE TRENCH AND RESTORATION

NOT TO SCALE

PIPE COVER	=	SELECT COMMON FILL
COMPACTED BACKFILL	=	COMMON FILL

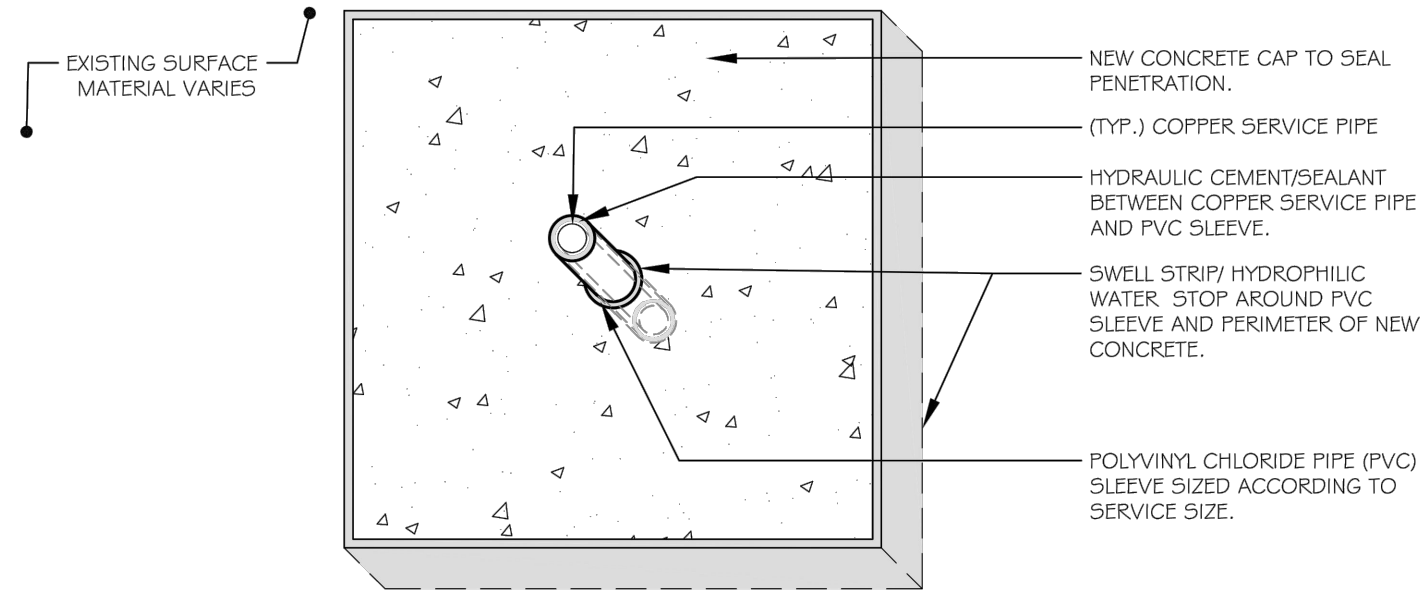
SOURCE: PROVIDENCE WATER SUPPLY BOARD



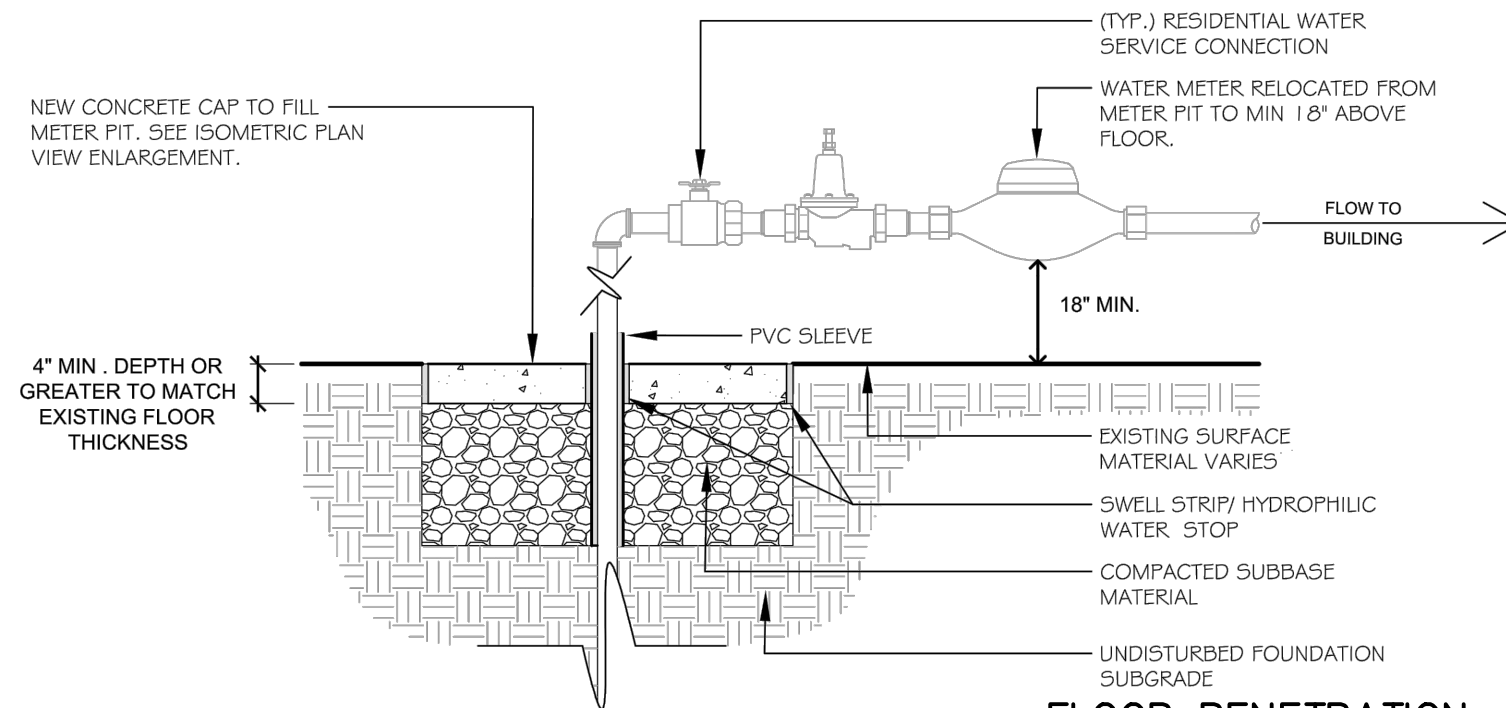
CITY OF PROVIDENCE, RHODE ISLAND
 PROVIDENCE WATER SUPPLY BOARD
 ACCELERATED LEAD SERVICE LINE REPLACEMENT PROGRAM
 CONTRACT 1.1



Detail No. 2
 1 REVISED PER ADDENDUM NO. 1



ISOMETRIC PLAN VIEW ENLARGEMENT
NTS



SECTION/ELEVATION
NTS

FLOOR PENETRATION
DETAIL

NTS

GENERAL NOTES:

1. CONTRACTOR SHALL PROVIDE ALL MATERIALS, EQUIPMENT, TOOLS, LABOR, SERVICES, APPURTENANCES, AND INCIDENTALS TO COMPLETE ALL REQUIRED WORK AS SHOWN AND AS SPECIFIED.
2. SERVICE PIPE SLEEVED INSIDE PVC. FILL SPACE BETWEEN WITH HYDRAULIC CEMENT/SEALANT.
3. METER PIT TO BE BACKFILLED WITH SUITABLE COMPACTED BASE MATERIAL AND FINISHED WITH MINIMUM 4" CONCRETE OR GREATER TO MATCH EXISTING FLOOR.
4. SWELL STRIP TO BE INSTALLED AT ALL JOINTS OF NEW AND OLD CONCRETE.
5. EXISTING MATERIALS REMOVED DURING CONSTRUCTION (THAT ARE NOT FOR REUSE) SHALL BE REMOVED AND DISPOSED OF BY THE CONTRACTOR AS REQUIRED AND SPECIFIED AND IN ACCORDANCE WITH ALL FEDERAL, STATE, AND LOCAL LAWS, REGULATIONS, AND/OR REQUIREMENTS.
6. CONTRACTOR IS RESPONSIBLE FOR REPAIRING ANY DAMAGE CAUSED BY THE CONTRACTOR TO ANY ADJACENT UTILITIES AND ANY ITEMS ON PRIVATE PROPERTY.
7. SERVICE PIPE'S ENTERING BUILDING THROUGH FOUNDATION WALL SHALL BE INSTALLED IN PVC SLEEVE WITH HYDRAULIC CEMENT SEALANT AND SWELL STRIPS AND PENETRATION SEALED WITH CONCRETE. SAME AS SHOWN IN ISOMETRIC ENLARGEMENT VIEW. (EXCEPT THIS WOULD BE FOUNDATION WALL).

SOURCE: PROVIDENCE WATER SUPPLY BOARD



CITY OF PROVIDENCE, RHODE ISLAND
PROVIDENCE WATER SUPPLY BOARD
ACCELERATED LEAD SERVICE LINE REPLACEMENT PROGRAM
CONTRACT 1.1

Detail No. 5



ATTACHMENT 7



Approved Materials / Manufacturers

FOR USE IN THE PROVIDENCE WATER DISTRIBUTION SYSTEM

(As of August 1, 2023)

DUCTILE IRON PIPE

(Must Be Zinc Coated)

American DI Pipe Co.
McWane Ductile
U.S. Pipe & Foundry Co.

DUCTILE IRON FITTINGS

(Must Be Zinc Coated)

Tyler/Union Foundry Co.
U.S. Pipe & Foundry Co.
Star Pipe Products – US made only

VALVES

American
AVK
Clow Valve Co.
Kennedy Valve
M&H Valve Co.
Mueller Co.
U.S. Pipe & Foundry Co.

VALVE AND SERVICE BOXES

A.Y. McDonald Manufacturing Co.
Bingham & Taylor
Mueller
The Ford Meter Box Co.
Tyler Union – US made only

PIPE COUPLINGS

Dresser, Inc.
ROMAC Industries, Inc.
Smith-Blair, Inc.
The Ford Meter Box Co.
Total Piping Solutions, Inc. (Hymax)

PLASTIC SERVICE COUPLINGS

The Harrington Corp (HARCO)

FIRE HYDRANTS

Kennedy Guardian Hydrant - K81D, by Kennedy Valve
(Must be “Hydra-Shield - Custodian” ready for installation in Providence only)

JOINT RESTRAINT FOR DUCTILE IRON PIPE- MECHANICAL

EBAA Iron Sales, Inc. MEGALUG MJ Retainer Gland
Series 1100 – MJ Gland
Series 1100SDB – Mid Span Restraint
Star National Products - “Star Tie-Anchor III Joint Restraint”
Tyler Union – Series 1000 TUFGRIP MJ Retainer Gland-US made only

JOINT RESTRAINT FOR DUCTILE IRON PIPE- GASKETED

McWane SureStop 350 Gasket
U.S. Pipe & Foundry Co. - “Field Lok 350” Gasket
Griffin Pipe – “Talon RJ” Gasket

SERVICE BRASS/COPPER (must be “Lead Free”)

A.Y. McDonald Manufacturing Co.
Cambridge Lee Industries LLC
Mueller Co.
Red Hed Manufacturing
The Ford Meter Box Co.

NOTE: This list is subject to change without notice. Customers or contractors are responsible for contacting *Providence Water* to verify their selection of materials prior to starting any construction. Proposed materials must meet the requirements of the Specifications even if listed herein.

ATTACHMENT 8

Appendix Q

Copland Act (29 CFR Part 3 Anti-Kickback Regulation)

This content is from the eCFR and is authoritative but unofficial.

Title 29 – Labor

Subtitle A – Office of the Secretary of Labor

Part 3 Contractors and Subcontractors on Public Building or Public Work Financed in Whole or in Part by Loans or Grants from the United States

- § 3.1 Purpose and scope.
- § 3.2 Definitions.
- § 3.3 Weekly statement with respect to payment of wages.
- § 3.4 Submission of weekly statements and the preservation and inspection of weekly payroll records.
- § 3.5 Payroll deductions permissible without application to or approval of the Secretary of Labor.
- § 3.6 Payroll deductions permissible with the approval of the Secretary of Labor.
- § 3.7 Applications for the approval of the Secretary of Labor.
- § 3.8 Action by the Secretary of Labor upon applications.
- § 3.9 Prohibited payroll deductions.
- § 3.10 Methods of payment of wages.
- § 3.11 Regulations part of contract.

PART 3—CONTRACTORS AND SUBCONTRACTORS ON PUBLIC BUILDING OR PUBLIC WORK FINANCED IN WHOLE OR IN PART BY LOANS OR GRANTS FROM THE UNITED STATES

Authority: R.S. 161, sec. 2, 48 Stat. 848; Reorg. Plan No. 14 of 1950, 64 Stat. 1267; 5 U.S.C. 301; 40 U.S.C. 3145; Secretary's Order 01–2014 (Dec. 19, 2014), 79 FR 77527 (Dec. 24, 2014).

Source: 29 FR 97, Jan. 4, 1964, unless otherwise noted.

§ 3.1 Purpose and scope.

This part prescribes “anti-kickback” regulations under section 2 of the Act of June 13, 1934, as amended (40 U.S.C. 276c), popularly known as the Copeland Act. This part applies to any contract which is subject to Federal wage standards and which is for the construction, prosecution, completion, or repair of public buildings, public works or buildings or works financed in whole or in part by loans or grants from the United States. The part is intended to aid in the enforcement of the minimum wage provisions of the Davis-Bacon Act and the various statutes dealing with federally assisted construction that contain similar minimum wage provisions, including those provisions which are not subject to Reorganization Plan No. 14 (e.g., the College Housing Act of 1950, the Federal Water Pollution Control Act, and the Housing Act of 1959), and in the enforcement of the overtime provisions of the Contract Work Hours Standards Act whenever they are applicable to construction work. The part details the obligation of contractors and

subcontractors relative to the weekly submission of statements regarding the wages paid on work covered thereby; sets forth the circumstances and procedures governing the making of payroll deductions from the wages of those employed on such work; and delineates the methods of payment permissible on such work.

§ 3.2 Definitions.

As used in the regulations in this part:

- (a) The terms *building* or *work* generally include construction activity as distinguished from manufacturing, furnishing of materials, or servicing and maintenance work. The terms include, without limitation, buildings, structures, and improvements of all types, such as bridges, dams, plants, highways, parkways, streets, subways, tunnels, sewers, mains, powerlines, pumping stations, railways, airports, terminals, docks, piers, wharves, ways, lighthouses, buoys, jetties, breakwaters, levees, and canals; dredging, shoring, scaffolding, drilling, blasting, excavating, clearing, and landscaping. Unless conducted in connection with and at the site of such a building or work as is described in the foregoing sentence, the manufacture or furnishing of materials, articles, supplies, or equipment (whether or not a Federal or State agency acquires title to such materials, articles, supplies, or equipment during the course of the manufacture or furnishing, or owns the materials from which they are manufactured or furnished) is not a *building* or *work* within the meaning of the regulations in this part.
- (b) The terms *construction*, *prosecution*, *completion*, or *repair* mean all types of work done on a particular building or work at the site thereof, including, without limitation, altering, remodeling, painting and decorating, the transporting of materials and supplies to or from the building or work by the employees of the construction contractor or construction subcontractor, and the manufacturing or furnishing of materials, articles, supplies, or equipment on the site of the building or work, by persons employed at the site by the contractor or subcontractor.
- (c) The terms *public building* or *public work* include building or work for whose construction, prosecution, completion, or repair, as defined above, a Federal agency is a contracting party, regardless of whether title thereof is in a Federal agency.
- (d) The term *building or work financed in whole or in part by loans or grants from the United States* includes building or work for whose construction, prosecution, completion, or repair, as defined above, payment or part payment is made directly or indirectly from funds provided by loans or grants by a Federal agency. The term includes building or work for which the Federal assistance granted is in the form of loan guarantees or insurance.
- (e) Every person paid by a contractor or subcontractor in any manner for his labor in the construction, prosecution, completion, or repair of a public building or public work or building or work financed in whole or in part by loans or grants from the United States is *employed* and receiving *wages*, regardless of any contractual relationship alleged to exist between him and the real employer.
- (f) The term *any affiliated person* includes a spouse, child, parent, or other close relative of the contractor or subcontractor; a partner or officer of the contractor or subcontractor; a corporation closely connected with the contractor or subcontractor as parent, subsidiary, or otherwise, and an officer or agent of such corporation.

- (g) The term *Federal agency* means the United States, the District of Columbia, and all executive departments, independent establishments, administrative agencies, and instrumentalities of the United States and of the District of Columbia, including corporations, all or substantially all of the stock of which is beneficially owned by the United States, by the District of Columbia, or any of the foregoing departments, establishments, agencies, and instrumentalities.

[29 FR 97, Jan. 4, 1964, as amended at 38 FR 32575, Nov. 27, 1973]

§ 3.3 Weekly statement with respect to payment of wages.

- (a) As used in this section, the term *employee* shall not apply to persons in classifications higher than that of laborer or mechanic and those who are the immediate supervisors of such employees.
- (b) Each contractor or subcontractor engaged in the construction, prosecution, completion, or repair of any public building or public work, or building or work financed in whole or in part by loans or grants from the United States, shall furnish each week a statement with respect to the wages paid each of its employees engaged on work covered by this part 3 and part 5 of this title during the preceding weekly payroll period. This statement shall be executed by the contractor or subcontractor or by an authorized officer or employee of the contractor or subcontractor who supervises the payment of wages, and shall be on the back of Form WH 347, "Payroll (For Contractors Optional Use)" or on any form with identical wording. Copies of WH 347 may be obtained from the Government contracting or sponsoring agency or from the Wage and Hour Division Web site at <http://www.dol.gov/whd/forms/index.htm> or its successor site.
- (c) The requirements of this section shall not apply to any contract of \$2,000 or less.
- (d) Upon a written finding by the head of a Federal agency, the Secretary of Labor may provide reasonable limitations, variations, tolerances, and exemptions from the requirements of this section subject to such conditions as the Secretary of Labor may specify.

[29 FR 97, Jan. 4, 1964, as amended at 33 FR 10186, July 17, 1968; 47 FR 23679, May 28, 1982; 73 FR 77511, Dec. 19, 2008; 82 FR 2224, Jan. 9, 2017]

§ 3.4 Submission of weekly statements and the preservation and inspection of weekly payroll records.

- (a) Each weekly statement required under § 3.3 shall be delivered by the contractor or subcontractor, within seven days after the regular payment date of the payroll period, to a representative of a Federal or State agency in charge at the site of the building or work, or, if there is no representative of a Federal or State agency at the site of the building or work, the statement shall be mailed by the contractor or subcontractor, within such time, to a Federal or State agency contracting for or financing the building or work. After such examination and check as may be made, such statement, or a copy thereof, shall be kept available, or shall be transmitted together with a report of any violation, in accordance with applicable procedures prescribed by the United States Department of Labor.
- (b) Each contractor or subcontractor shall preserve his weekly payroll records for a period of three years from date of completion of the contract. The payroll records shall set out accurately and completely the name and address of each laborer and mechanic, his correct classification, rate of pay, daily and weekly number of hours worked, deductions made, and actual wages paid. Such payroll records shall be made available at all times for inspection by the contracting officer or his authorized representative, and by authorized representatives of the Department of Labor.

(Reporting and recordkeeping requirements in paragraph (b) have been approved by the Office of Management and Budget under control number 1235-0008)

[29 FR 97, Jan. 4, 1964, as amended at 47 FR 145, Jan. 5, 1982; 82 FR 2224, Jan. 9, 2017]

§ 3.5 Payroll deductions permissible without application to or approval of the Secretary of Labor.

Deductions made under the circumstances or in the situations described in the paragraphs of this section may be made without application to and approval of the Secretary of Labor:

- (a) Any deduction made in compliance with the requirements of Federal, State, or local law, such as Federal or State withholding income taxes and Federal social security taxes.
- (b) Any deduction of sums previously paid to the employee as a bona fide prepayment of wages when such prepayment is made without discount or interest. A *bona fide prepayment of wages* is considered to have been made only when cash or its equivalent has been advanced to the person employed in such manner as to give him complete freedom of disposition of the advanced funds.
- (c) Any deduction of amounts required by court process to be paid to another, unless the deduction is in favor of the contractor, subcontractor, or any affiliated person, or when collusion or collaboration exists.
- (d) Any deduction constituting a contribution on behalf of the person employed to funds established by the employer or representatives of employees, or both, for the purpose of providing either from principal or income, or both, medical or hospital care, pensions or annuities on retirement, death benefits, compensation for injuries, illness, accidents, sickness, or disability, or for insurance to provide any of the foregoing, or unemployment benefits, vacation pay, savings accounts, or similar payments for the benefit of employees, their families and dependents: *Provided, however,* That the following standards are met:
 - (1) The deduction is not otherwise prohibited by law;
 - (2) It is either:
 - (i) Voluntarily consented to by the employee in writing and in advance of the period in which the work is to be done and such consent is not a condition either for the obtaining of or for the continuation of employment, or
 - (ii) provided for in a bona fide collective bargaining agreement between the contractor or subcontractor and representatives of its employees;
 - (3) No profit or other benefit is otherwise obtained, directly or indirectly, by the contractor or subcontractor or any affiliated person in the form of commission, dividend, or otherwise; and
 - (4) The deductions shall serve the convenience and interest of the employee.
- (e) Any deduction contributing toward the purchase of United States Defense Stamps and Bonds when voluntarily authorized by the employee.
- (f) Any deduction requested by the employee to enable him to repay loans to or to purchase shares in credit unions organized and operated in accordance with Federal and State credit union statutes.
- (g) Any deduction voluntarily authorized by the employee for the making of contributions to governmental or quasi-governmental agencies, such as the American Red Cross.

- (h) Any deduction voluntarily authorized by the employee for the making of contributions to Community Chests, United Givers Funds, and similar charitable organizations.
- (i) Any deductions to pay regular union initiation fees and membership dues, not including fines or special assessments: *Provided, however,* That a collective bargaining agreement between the contractor or subcontractor and representatives of its employees provides for such deductions and the deductions are not otherwise prohibited by law.
- (j) Any deduction not more than for the "reasonable cost" of board, lodging, or other facilities meeting the requirements of section 3(m) of the Fair Labor Standards Act of 1938, as amended, and part 531 of this title. When such a deduction is made the additional records required under § 516.25(a) of this title shall be kept.
- (k) Any deduction for the cost of safety equipment of nominal value purchased by the employee as his own property for his personal protection in his work, such as safety shoes, safety glasses, safety gloves, and hard hats, if such equipment is not required by law to be furnished by the employer, if such deduction is not violative of the Fair Labor Standards Act or prohibited by other law, if the cost on which the deduction is based does not exceed the actual cost to the employer where the equipment is purchased from him and does not include any direct or indirect monetary return to the employer where the equipment is purchased from a third person, and if the deduction is either
 - (1) Voluntarily consented to by the employee in writing and in advance of the period in which the work is to be done and such consent is not a condition either for the obtaining of employment or its continuance; or
 - (2) Provided for in a bona fide collective bargaining agreement between the contractor or subcontractor and representatives of its employees.

[29 FR 97, Jan. 4, 1964, as amended at 36 FR 9770, May 28, 1971]

§ 3.6 Payroll deductions permissible with the approval of the Secretary of Labor.

Any contractor or subcontractor may apply to the Secretary of Labor for permission to make any deduction not permitted under § 3.5. The Secretary may grant permission whenever he finds that:

- (a) The contractor, subcontractor, or any affiliated person does not make a profit or benefit directly or indirectly from the deduction either in the form of a commission, dividend, or otherwise;
- (b) The deduction is not otherwise prohibited by law;
- (c) The deduction is either
 - (1) voluntarily consented to by the employee in writing and in advance of the period in which the work is to be done and such consent is not a condition either for the obtaining of employment or its continuance, or
 - (2) provided for in a bona fide collective bargaining agreement between the contractor or subcontractor and representatives of its employees; and
- (d) The deduction serves the convenience and interest of the employee.

§ 3.7 Applications for the approval of the Secretary of Labor.

Any application for the making of payroll deductions under § 3.6 shall comply with the requirements prescribed in the following paragraphs of this section:

- (a) The application shall be in writing and shall be addressed to the Secretary of Labor.
- (b) The application need not identify the contract or contracts under which the work in question is to be performed. Permission will be given for deductions on all current and future contracts of the applicant for a period of 1 year. A renewal of permission to make such payroll deduction will be granted upon the submission of an application which makes reference to the original application, recites the date of the Secretary of Labor's approval of such deductions, states affirmatively that there is continued compliance with the standards set forth in the provisions of § 3.6, and specifies any conditions which have changed in regard to the payroll deductions.
- (c) The application shall state affirmatively that there is compliance with the standards set forth in the provisions of § 3.6. The affirmation shall be accompanied by a full statement of the facts indicating such compliance.
- (d) The application shall include a description of the proposed deduction, the purpose to be served thereby, and the classes of laborers or mechanics from whose wages the proposed deduction would be made.
- (e) The application shall state the name and business of any third person to whom any funds obtained from the proposed deductions are to be transmitted and the affiliation of such person, if any, with the applicant.

[29 FR 97, Jan. 4, 1964, as amended at 36 FR 9771, May 28, 1971]

§ 3.8 Action by the Secretary of Labor upon applications.

The Secretary of Labor shall decide whether or not the requested deduction is permissible under provisions of § 3.6; and shall notify the applicant in writing of his decision.

§ 3.9 Prohibited payroll deductions.

Deductions not elsewhere provided for by this part and which are not found to be permissible under § 3.6 are prohibited.

§ 3.10 Methods of payment of wages.

The payment of wages shall be by cash, negotiable instruments payable on demand, or the additional forms of compensation for which deductions are permissible under this part. No other methods of payment shall be recognized on work subject to the Copeland Act.

§ 3.11 Regulations part of contract.

All contracts made with respect to the construction, prosecution, completion, or repair of any public building or public work or building or work financed in whole or in part by loans or grants from the United States covered by the regulations in this part shall expressly bind the contractor or subcontractor to comply with such of the regulations in this part as may be applicable. In this regard, see § 5.5(a) of this subtitle.

ATTACHMENT 9

Appendix R
Rhode Island Prevailing Wage Rates

"General Decision Number: RI20230001 06/30/2023

Superseded General Decision Number: RI20220001

State: Rhode Island

Construction Types: Building, Heavy (Heavy and Marine) and
Highway

Counties: Rhode Island Statewide.

BUILDING CONSTRUCTION PROJECTS (does not include residential
construction consisting of single family homes and apartments
up to and including 4 stories) HEAVY, HIGHWAY AND MARINE
CONSTRUCTION PROJECTS

Note: Contracts subject to the Davis-Bacon Act are generally
required to pay at least the applicable minimum wage rate
required under Executive Order 14026 or Executive Order 13658.

Please note that these Executive Orders apply to covered
contracts entered into by the federal government that are
subject to the Davis-Bacon Act itself, but do not apply to
contracts subject only to the Davis-Bacon Related Acts,
including those set forth at 29 CFR 5.1(a)(2)-(60).

| If the contract is entered | . Executive Order 14026 |
| into on or after January 30, | generally applies to the |

2022, or the contract is	contract.
renewed or extended (e.g., an	. The contractor must pay
option is exercised) on or	all covered workers at
after January 30, 2022:	least \$16.20 per hour (or
	the applicable wage rate
	listed on this wage
	determination, if it is
	higher) for all hours
	spent performing on the
	contract in 2023.
_____	_____

If the contract was awarded on	Executive Order 13658
or between January 1, 2015 and	generally applies to the
January 29, 2022, and the	contract.
contract is not renewed or	. The contractor must pay all
extended on or after January	covered workers at least
30, 2022:	\$12.15 per hour (or the
	applicable wage rate listed
	on this wage determination,
	if it is higher) for all
	hours spent performing on
	that contract in 2023.
_____	_____

The applicable Executive Order minimum wage rate will be adjusted annually. If this contract is covered by one of the Executive Orders and a classification considered necessary for performance of work on the contract does not appear on this wage determination, the contractor must still submit a

conformance request.

Additional information on contractor requirements and worker protections under the Executive Orders is available at <http://www.dol.gov/whd/govcontracts>.

Modification Number Publication Date

0	01/06/2023
1	01/13/2023
2	02/03/2023
3	03/17/2023
4	04/14/2023
5	05/12/2023
6	06/02/2023
7	06/16/2023
8	06/30/2023

ASBE0006-006 06/01/2022

Rates Fringes

HAZARDOUS MATERIAL HANDLER

(Includes preparation, wetting, stripping, removal scrapping, vacuuming, bagging & disposing of all insulation materials, whether they contain asbestos or not, from

mechanical systems).....\$ 38.30 25.55

ASBE0006-008 09/01/2021

Rates Fringes

Asbestos Worker/Insulator

Includes application of
all insulating materials,
protective coverings,
coatings & finishes to all
types of mechanical systems.\$ 45.00 32.89

BOIL0029-001 01/01/2021

Rates Fringes

BOILERMAKER.....\$ 45.87 29.02

BRRIO003-001 06/01/2022

Rates Fringes

Bricklayer, Stonemason,
Pointer, Caulker & Cleaner.....\$ 46.86 29.14

BRRIO003-002 09/01/2022

Rates Fringes

Marble Setter, Terrazzo

Worker & Tile Setter.....\$ 46.54 30.34

BRR10003-003 09/01/2022

Rates Fringes

Marble, Tile & Terrazzo

Finisher.....\$ 38.78 29.61

* CARP0330-001 06/05/2023

Rates Fringes

CARPENTER (Includes Soft

Floor Layer).....\$ 42.78 30.00

Diver Tender.....\$ 43.78 30.00

DIVER.....\$ 55.93 30.00

Piledriver.....\$ 41.53 29.35

WELDER.....\$ 43.78 30.00

FOOTNOTES:

When not diving or tending the diver, the diver and diver tender shall receive the piledriver rate. Diver tenders shall receive \$1.00 per hour above the pile driver rate when tending the diver.

Work on free-standing stacks, concrete silos & public utility electrical power houses, which are over 35 ft. in height when constructed: \$.50 per hour additional.

Work on exterior concrete shear wall gang forms, 45 ft. or more above ground elevation or on setback: \$.50 per hour additional.

The designated piledriver, known as the ""monkey"": \$1.00 per hour additional.

CARP1121-002 01/02/2023

	Rates	Fringes
MILLWRIGHT.....	\$ 41.54	30.73

ELEC0099-002 06/01/2023

	Rates	Fringes
ELECTRICIAN.....	\$ 48.61	50.44%
Teledata System Installer.....	\$ 36.46	11.59%+15.31

FOOTNOTES:

Work of a hazardous nature, or where the work height is 30 ft. or more from the floor, except when working

OSHA-approved lifts: 20% per hour additional.

Work in tunnels below ground level in combined sewer outfall:
20% per hour additional.

ELEV0039-001 01/01/2023

Rates Fringes

ELEVATOR MECHANIC.....\$ 59.36 37.335+a+b

FOOTNOTES:

a. PAID HOLIDAYS: New Years Day; Memorial Day; Independence Day; Labor Day; Veterans' Day; Thanksgiving Day; the Friday after Thanksgiving Day; and Christmas Day.

b. Employer contributes 8% basic hourly rate for 5 years or more of service of 6% basic hourly rate for 6 months to 5 years of service as vacation pay credit.

* ENGI0057-001 06/01/2023

Rates Fringes

Operating Engineer: (power
plants, sewer treatment

plants, pumping stations,
tunnels, caissons, piers,
docks, bridges, wind
turbines, subterranean &
other marine and heavy
construction work)

GROUP 1.....	\$ 45.55	29.45
GROUP 2.....	\$ 43.55	29.45
GROUP 3.....	\$ 39.17	29.45
GROUP 4.....	\$ 36.32	29.45
GROUP 5.....	\$ 42.60	29.45
GROUP 6.....	\$ 33.40	29.45
GROUP 7.....	\$ 27.40	29.45
GROUP 8.....	\$ 39.25	29.45
GROUP 9.....	\$ 43.17	29.45

a. BOOM LENGTHS, INCLUDING JIBS:

- 150 feet and over + \$ 2.00
- 180 feet and over + \$ 3.00
- 210 feet and over + \$ 4.00
- 240 feet and over + \$ 5.00
- 270 feet and over + \$ 7.00
- 300 feet and over + \$ 8.00
- 350 feet and over + \$ 9.00
- 400 feet and over + \$10.00

a. PAID HOLIDAYS:

New Year's Day, President's Day, Memorial Day, July Fourth,

Victory Day, Labor Day, Columbus Day, Veterans Day,
Thanksgiving Day, Christmas Day. a: Any employee who works
3 days in the week in which a holiday falls shall be paid
for the holiday.

a. FOOTNOTES:

Hazmat work: \$2.00 per hour additional.

Tunnel/Shaft work: \$5.00 per hour additional.

POWER EQUIPMENT OPERATORS CLASSIFICATIONS

GROUP 1: Cranes, lighters, boom trucks and derricks

GROUP 2: Digging machine, Ross Carrier, locomotive, hoist,
elevator, bidwell-type machine, shot & water blasting
machine, paver, spreader, graders, front end loader (3 yds.
and over), vibratory hammer & vacuum truck, roadheaders,
forklifts, economobile type equipment, tunnel boring
machines, concrete pump and on site concrete plants.

GROUP 3: Oilers on cranes.

GROUP 4: Oiler on crawler backhoe.

GROUP 5: Bulldozer, bobcats, skid steer loader, tractor,
scraper, combination loader backhoe, roller, front end
loader (less than 3 yds.), street and mobile-powered
sweeper (3-yd. capacity), 8-ft. sweeper minimum 65 HP).

GROUP 6: Well-point installation crew.

GROUP 7: Utility Engineers and Signal Persons

GROUP 8: Heater, concrete mixer, stone crusher, welding machine, generator and light plant, gas and electric driven pump and air compressor.

GROUP 9: Boat & tug operator.

ENGI0057-002 05/01/2022

Rates Fringes

Power Equipment Operator
(highway construction projects; water and sewerline projects which are incidental to highway construction projects; and bridge projects that do not span water)

GROUP 1.....	\$ 36.70	29.25+a
GROUP 2.....	\$ 31.40	29.25+a
GROUP 3.....	\$ 25.40	29.25+a
GROUP 4.....	\$ 31.98	29.25+a
GROUP 5.....	\$ 35.68	29.25+a
GROUP 6.....	\$ 35.30	29.25+a

GROUP 7.....	\$ 30.95	29.25+a
GROUP 8.....	\$ 32.33	29.25+a
GROUP 9.....	\$ 34.28	29.25+a

a. FOOTNOTE: a. Any employee who works three days in the week in which a holiday falls shall be paid for the holiday.

a. PAID HOLIDAYS: New Year's Day, President's Day, Memorial Day, July Fourth, Victory Day, Labor Day, Columbus Day, Veterans Day, Thanksgiving Day & Christmas Day.

POWER EQUIPMENT OPERATOR CLASSIFICATIONS

GROUP 1: Digging machine, crane, piledriver, lighter, locomotive, derrick, hoist, boom truck, John Henry's, directional drilling machine, cold planer, reclaimer, paver, spreader, grader, front end loader (3 yds. and over), vacuum truck, test boring machine operator, veemere saw, water blaster, hydro-demolition robot, forklift, economobile, Ross Carrier, concrete pump operator and boats

GROUP 2: Well point installation crew

GROUP 3: Utility engineers and signal persons

GROUP 4: Oiler on cranes

GROUP 5: Combination loader backhoe, front end loader (less than 3 yds.), forklift, bulldozers & scrapers and boats

GROUP 6: Roller,skid steer loaders, street sweeper

GROUP 7: Gas and electric drive heater, concrete mixer, light
plant, welding machine, pump & compressor

GROUP 8: Stone crusher

GROUP 9: Mechanic & welder

* ENGI0057-003 06/01/2023

BUILDING CONSTRUCTION

	Rates	Fringes
Power Equipment Operator		
GROUP 1.....	\$ 44.82	29.90
GROUP 2.....	\$ 42.82	29.90
GROUP 3.....	\$ 42.60	29.90
GROUP 4.....	\$ 38.60	29.90
GROUP 5.....	\$ 35.75	29.90
GROUP 6.....	\$ 41.90	29.90
GROUP 7.....	\$ 41.47	29.90
GROUP 8.....	\$ 38.79	29.90

a. BOOM LENGTHS, INCLUDING JIBS:

150 ft. and over: + \$ 2.00

180 ft. and over: + \$ 3.00

210 ft. and over: + \$ 4.00

240 ft. and over: + \$ 5.00

270 ft. and over: + \$ 7.00

300 ft. and over: + \$ 8.00

350 ft. and over: + \$ 9.00

400 ft. and over: + \$10.00

a. PAID HOLIDAYS: New Year's Day, President's Day, Memorial Day, July Fourth, Victory Day, Labor Day, Columbus Day, Veterans Day, Thanksgiving Day & Christmas Day. a: Any employee who works 3 days in the week in which a holiday falls shall be paid for the holiday.

a. FOOTNOTE: Hazmat work: \$2.00 per hour additional.

Tunnel/Shaft work: \$5.00 per hour additional.

POWER EQUIPMENT OPERATORS CLASSIFICATIONS

GROUP 1: Cranes, lighters, boom trucks and derricks.

GROUP 2: Digging machine, Ross carrier, locomotive, hoist, elevator, bidwell-type machine, shot & water blasting machine, paver, spreader, front end loader (3 yds. and over), vibratory hammer and vacuum truck

GROUP 3: Telehandler equipment, forklift, concrete pump &

on-site concrete plant

GROUP 4: Fireman & oiler on cranes

GROUP 5: Oiler on crawler backhoe

GROUP 6: Bulldozer, skid steer loaders, bobcats, tractor, grader, scraper, combination loader backhoe, roller, front end loader (less than 3 yds.), street and mobile powered sweeper (3 yds. capacity), 8-ft. sweeper (minimum 65 hp)

GROUP 7: Well point installation crew

GROUP 8: Heater, concrete mixer, stone crusher, welding machine, generator for light plant, gas and electric driven pump & air compressor

IRON0037-001 03/16/2023

	Rates	Fringes
IRONWORKER.....	\$ 39.50	32.08

LABO0271-001 11/27/2022

BUILDING CONSTRUCTION

	Rates	Fringes
--	-------	---------

LABORER

GROUP 1.....	\$ 35.50	26.85
GROUP 2.....	\$ 35.75	26.85
GROUP 3.....	\$ 36.25	26.85
GROUP 4.....	\$ 36.50	26.85
GROUP 5.....	\$ 37.50	26.85

LABORERS CLASSIFICATIONS

GROUP 1: Laborer, Carpenter Tender, Mason Tender, Cement Finisher Tender, Scaffold Erector, Wrecking Laborer, Asbestos Removal [Non-Mechanical Systems]

GROUP 2: Asphalt Raker, Adzemen, Pipe Trench Bracer, Demolition Burner, Chain Saw Operator, Fence & Guard Rail Erector, Setter of Metal Forms for Roadways, Mortar Mixer, Pipelayer, Riprap & Dry Stonewall Builder, Highway Stone Spreader, Pneumatic Tool Operator, Wagon Drill Operator, Tree Trimmer, Barco-Type Jumping Tamper, Mechanical Grinder Operator

GROUP 3: Pre-Cast Floor & Roof Plank Erectors

GROUP 4: Air Track Operator, Hydraulic & Similar Self-Powered Drill, Block Paver, Rammer, Curb Setter, Powderman & Blaster

GROUP 5: Toxic Waste Remover

LABORERS CLASSIFICATIONS

GROUP 1: Laborer, Carpenter Tender, Mason Tender, Cement Finisher Tender, Scaffold Erector, Wrecking Laborer, Asbestos Removal [Non-Mechanical Systems]

GROUP 2: Asphalt Raker, Adzemen, Pipe Trench Bracer, Demolition Burner, Chain Saw Operator, Fence & Guard Rail Erector, Setter of Metal Forms for Roadways, Mortar Mixer, Pipelayer, Riprap & Dry Stonewall Builder, Highway Stone Spreader, Pneumatic Tool Operator, Wagon Drill Operator, Tree Trimmer, Barco-Type Jumping Tamper, Mechanical Grinder Operator

GROUP 3: Pre-Cast Floor & Roof Plank Erectors

GROUP 4: Air Track Operator, Hydraulic & Similar Self-Powered Drill, Block Paver, Rammer, Curb Setter, Powderman & Blaster

GROUP 5: Toxic Waste Remover

LABO0271-002 11/27/2022

HEAVY AND HIGHWAY CONSTRUCTION

Rates Fringes

LABORER

COMPRESSED AIR

Group 1.....\$ 55.40 24.15

Group 2.....\$ 52.93 24.15

Group 3.....\$ 42.45 24.15

FREE AIR

Group 1.....\$ 44.05 24.15

Free Air

Group 1.....\$ 46.00 24.15

FREE AIR

Group 2.....\$ 43.05 24.15

Free Air

Group 2.....\$ 45.00 24.15

FREE AIR

Group 3.....\$ 40.50 24.15

Free Air

Group 3.....\$ 42.45 24.15

LABORER

Group 1.....\$ 35.50 24.85

Group 2.....\$ 35.75 24.85

Group 3.....\$ 36.50 24.85

Group 4.....\$ 29.00 24.85

Group 5.....\$ 37.50 24.85

OPEN AIR CAISSON,

UNDERPINNING WORK AND

BORING CREW

Bottom Man.....\$ 41.50 24.15

Top Man & Laborer.....\$ 35.60 24.15

TEST BORING

Driller.....\$ 41.95 24.15

Laborer.....\$ 41.95 24.15

LABORER CLASSIFICATIONS

GROUP 1: Laborer; Carpenter tender; Cement finisher tender;
Wrecking laborer; Asbestos removers [non-mechanical systems];
Plant laborer; Driller in quarries

GROUP 2: Adzeperson; Asphalt raker; Barcotype jumping tamper;
Chain saw operators; Concrete and power buggy operator;
Concrete saw operator; Demolition burner; Fence and guard rail
erector; Highway stone spreader; Laser beam operator;
Mechanical grinder operator; Mason tender; Mortar mixer;
Pneumatic tool operator; Riprap and dry stonewall builder;
Scaffold erector; Setter of metal forms for roadways; Wagon
drill operator; Wood chipper operator; Pipelayer; Pipe trench
bracer

GROUP 3: Air track drill operator; Hydraulic and similar
powered drills; Brick paver; Block paver; Rammer and curb
setter; Powderperson and blaster

GROUP 4: Flagger & signaler

GROUP 5: Toxic waste remover

LABORER - COMPRESSED AIR CLASSIFICATIONS

GROUP 1: Mucking machine operator, tunnel laborer, brake
person, track person, miner, grout person, lock tender, gauge
tender, miner: motor person & all others in compressed air

GROUP 2: Change house attendant, powder watchperson, top person on iron

GROUP 3: Hazardous waste work within the ""HOT"" zone

LABORER - FREE AIR CLASSIFICATIONS

GROUP 1: Grout person - pumps, brake person, track person, form mover & stripper (wood & steel), shaft laborer, laborer topside, outside motorperson, miner, conveyor operator, miner welder, heading motorperson, erecting operator, mucking machine operator, nozzle person, rodperson, safety miner, shaft & tunnel, steel & rodperson, mole nipper, concrete worker, form erector (wood, steel and all accessories), cement finisher (this type of work only), top signal person, bottom person (when heading is 50' from shaft), burner, shield operator and TBM operator

GROUP 2: Change house attendant, powder watchperson

GROUP 3: Hazardous waste work within the ""HOT"" zone

LABORER CLASSIFICATIONS

GROUP 1: Laborer; Carpenter tender; Cement finisher tender; Wrecking laborer; Asbestos removers [non-mechanical systems]; Plant laborer; Driller in quarries

GROUP 2: Adzeperson; Asphalt raker; Barcotype jumping

tamper; Chain saw operators; Concrete and power buggy operator; Concrete saw operator; Demolition burner; Fence and guard rail erector; Highway stone spreader; Laser beam operator; Mechanical grinder operator; Mason tender; Mortar mixer; Pneumatic tool operator; Riprap and dry stonewall builder; Scaffold erector; Setter of metal forms for roadways; Wagon drill operator; Wood chipper operator; Pipelayer; Pipe trench bracer

GROUP 3: Air track drill operator; Hydraulic and similar powered drills; Brick paver; Block paver; Rammer and curb setter; Powderperson and blaster

GROUP 4: Flagger & signaler

GROUP 5: Toxic waste remover

LABORER - COMPRESSED AIR CLASSIFICATIONS

GROUP 1: Mucking machine operator, tunnel laborer, brake person, track person, miner, grout person, lock tender, gauge tender, miner: motor person & all others in compressed air

GROUP 2: Change house attendant, powder watchperson, top person on iron

GROUP 3: Hazardous waste work within the ""HOT"" zone

LABORER - FREE AIR CLASSIFICATIONS

GROUP 1: Grout person - pumps, brake person, track person, form mover & stripper (wood & steel), shaft laborer, laborer topside, outside motorperson, miner, conveyor operator, miner welder, heading motorperson, erecting operator, mucking machine operator, nozzle person, rodperson, safety miner, shaft & tunnel, steel & rodperson, mole nipper, concrete worker, form erector (wood, steel and all accessories), cement finisher (this type of work only), top signal person, bottom person (when heading is 50' from shaft), burner, shield operator and TBM operator

GROUP 2: Change house attendant, powder watchperson

GROUP 3: Hazardous waste work within the ""HOT"" zone

PAIN0011-005 06/01/2023

Rates Fringes

PAINTER

Brush and Roller.....\$ 37.62 22.85

Epoxy, Tanks, Towers,

Swing Stage & Structural

Steel.....\$ 39.62 22.85

Spray, Sand & Water

Blasting.....	\$ 40.62	22.85
Taper.....	\$ 38.37	22.85
Wall Coverer.....	\$ 38.12	22.85

PAIN0011-006 06/01/2022

Rates Fringes

GLAZIER.....	\$ 40.78	23.40
--------------	----------	-------

FOOTNOTES:

SWING STAGE: \$1.00 per hour additional.

PAID HOLIDAYS: Labor Day & Christmas Day.

PAIN0011-011 06/01/2023

Rates Fringes

Painter (Bridge Work).....	\$ 56.25	23.45
----------------------------	----------	-------

PAIN0035-008 06/01/2011

Rates Fringes

Sign Painter.....	\$ 24.79	13.72
-------------------	----------	-------

PLAS0040-001 06/03/2019

BUILDING CONSTRUCTION

	Rates	Fringes
CEMENT MASON/CONCRETE FINISHER...\$	36.00	27.15

FOOTNOTE: Cement Mason: Work on free swinging scaffolds under 3 planks width and which is 20 or more feet above ground and any offset structure: \$.30 per hour additional.

PLAS0040-002 07/01/2019

HEAVY AND HIGHWAY CONSTRUCTION

	Rates	Fringes
CEMENT MASON/CONCRETE FINISHER...\$	32.85	22.20

PLAS0040-003 07/01/2019

	Rates	Fringes
PLASTERER.....\$	37.55	27.50

PLUM0051-002 02/27/2023

Rates Fringes

Plumbers and Pipefitters.....\$ 48.89 31.75

ROOF0033-004 06/01/2023

Rates Fringes

ROOFER.....\$ 42.95 30.00

SFRI0669-001 04/01/2023

Rates Fringes

SPRINKLER FITTER.....\$ 47.55 32.27

SHHE0017-002 12/01/2020

Rates Fringes

Sheet Metal Worker.....\$ 38.58 36.73

TEAM0251-001 05/01/2022

HEAVY AND HIGHWAY CONSTRUCTION

Rates Fringes

TRUCK DRIVER

GROUP 1.....	\$ 28.46	32.10+A+B+C
GROUP 2.....	\$ 28.61	\$ 32.10+A+B+C
GROUP 3.....	\$ 28.66	\$ 32.10+A+B+C
GROUP 4.....	\$ 28.71	\$ 32.10+A+B+C
GROUP 5.....	\$ 28.81	\$ 32.10+A+B+C
GROUP 6.....	\$ 29.21	\$ 32.10+A+B+C
GROUP 7.....	\$ 29.41	\$ 32.10+A+B+C
GROUP 8.....	\$ 28.91	\$ 32.10+A+B+C
GROUP 9.....	\$ 29.16	\$ 32.10+A+B+C
GROUP 10.....	\$ 28.96	\$ 32.10+A+B+C

FOOTNOTES:

A. Paid Holidays: New Year's Day, Memorial Day, Independence Day, Labor Day, Thanksgiving Day and Christmas Day, plus Presidents' Day, Columbus Day, Veteran's Day & V-J Day, providing the employee has worked at least one day in the calendar week in which the holiday falls.

B. Employee who has been on the payroll for 1 year or more but less than 5 years and has worked 150 Days during the last year of employment shall receive 1 week's paid vacation; 5 to 10 years - 2 weeks' paid vacation; 10 or more years - 3 week's paid vacation.

C. Employees on the seniority list shall be paid a one hundred dollar (\$100.00) bonus for every four hundred (400) hours worked, up to a maximum of five hundred dollars (\$500.00)

All drivers working on a defined hazard material job site shall be paid a premium of \$2.00 per hour over applicable rate.

TRUCK DRIVER CLASSIFICATIONS

GROUP 1: Pick-up trucks, station wagons, & panel trucks

GROUP 2: Two-axle on low beds

GROUP 3: Two-axle dump truck

GROUP 4: Three-axle dump truck

GROUP 5: Four- and five-axle equipment

GROUP 6: Low-bed or boom trailer.

GROUP 7: Trailers when used on a double hook up (pulling 2 trailers)

GROUP 8: Special earth-moving equipment, under 35 tons

GROUP 9: Special earth-moving equipment, 35 tons or over

GROUP 10: Tractor trailer

WELDERS - Receive rate prescribed for craft performing operation to which welding is incidental.

=====

Note: Executive Order (EO) 13706, Establishing Paid Sick Leave for Federal Contractors applies to all contracts subject to the Davis-Bacon Act for which the contract is awarded (and any solicitation was issued) on or after January 1, 2017. If this contract is covered by the EO, the contractor must provide employees with 1 hour of paid sick leave for every 30 hours they work, up to 56 hours of paid sick leave each year.

Employees must be permitted to use paid sick leave for their own illness, injury or other health-related needs, including preventive care; to assist a family member (or person who is like family to the employee) who is ill, injured, or has other health-related needs, including preventive care; or for reasons resulting from, or to assist a family member (or person who is like family to the employee) who is a victim of, domestic violence, sexual assault, or stalking. Additional information on contractor requirements and worker protections under the EO is available at

<https://www.dol.gov/agencies/whd/government-contracts>.

Unlisted classifications needed for work not included within the scope of the classifications listed may be added after award only as provided in the labor standards contract clauses (29CFR 5.5 (a) (1) (ii)).

The body of each wage determination lists the classification and wage rates that have been found to be prevailing for the cited type(s) of construction in the area covered by the wage determination. The classifications are listed in alphabetical order of ""identifiers"" that indicate whether the particular rate is a union rate (current union negotiated rate for local), a survey rate (weighted average rate) or a union average rate (weighted union average rate).

Union Rate Identifiers

A four letter classification abbreviation identifier enclosed in dotted lines beginning with characters other than ""SU"" or ""UAVG"" denotes that the union classification and rate were prevailing for that classification in the survey. Example:
PLUM0198-005 07/01/2014. PLUM is an abbreviation identifier of the union which prevailed in the survey for this classification, which in this example would be Plumbers. 0198 indicates the local union number or district council number where applicable, i.e., Plumbers Local 0198. The next number, 005 in the example, is an internal number used in processing the wage determination. 07/01/2014 is the effective date of the most current negotiated rate, which in this example is July 1, 2014.

Union prevailing wage rates are updated to reflect all rate changes in the collective bargaining agreement (CBA) governing this classification and rate.

Survey Rate Identifiers

Classifications listed under the "SU" identifier indicate that no one rate prevailed for this classification in the survey and the published rate is derived by computing a weighted average rate based on all the rates reported in the survey for that classification. As this weighted average rate includes all rates reported in the survey, it may include both union and non-union rates. Example: SULA2012-007 5/13/2014. SU indicates the rates are survey rates based on a weighted average calculation of rates and are not majority rates. LA indicates the State of Louisiana. 2012 is the year of survey on which these classifications and rates are based. The next number, 007 in the example, is an internal number used in producing the wage determination. 5/13/2014 indicates the survey completion date for the classifications and rates under that identifier.

Survey wage rates are not updated and remain in effect until a new survey is conducted.

Union Average Rate Identifiers

Classification(s) listed under the UAVG identifier indicate that no single majority rate prevailed for those

classifications; however, 100% of the data reported for the classifications was union data. EXAMPLE: UAVG-OH-0010 08/29/2014. UAVG indicates that the rate is a weighted union average rate. OH indicates the state. The next number, 0010 in the example, is an internal number used in producing the wage determination. 08/29/2014 indicates the survey completion date for the classifications and rates under that identifier.

A UAVG rate will be updated once a year, usually in January of each year, to reflect a weighted average of the current negotiated/CBA rate of the union locals from which the rate is based.

WAGE DETERMINATION APPEALS PROCESS

1.) Has there been an initial decision in the matter? This can be:

- * an existing published wage determination
- * a survey underlying a wage determination
- * a Wage and Hour Division letter setting forth a position on a wage determination matter
- * a conformance (additional classification and rate) ruling

On survey related matters, initial contact, including requests

for summaries of surveys, should be with the Wage and Hour National Office because National Office has responsibility for the Davis-Bacon survey program. If the response from this initial contact is not satisfactory, then the process described in 2.) and 3.) should be followed.

With regard to any other matter not yet ripe for the formal process described here, initial contact should be with the Branch of Construction Wage Determinations. Write to:

Branch of Construction Wage Determinations
Wage and Hour Division
U.S. Department of Labor
200 Constitution Avenue, N.W.
Washington, DC 20210

2.) If the answer to the question in 1.) is yes, then an interested party (those affected by the action) can request review and reconsideration from the Wage and Hour Administrator (See 29 CFR Part 1.8 and 29 CFR Part 7). Write to:

Wage and Hour Administrator
U.S. Department of Labor
200 Constitution Avenue, N.W.
Washington, DC 20210

The request should be accompanied by a full statement of the interested party's position and by any information (wage payment data, project description, area practice material,

etc.) that the requestor considers relevant to the issue.

3.) If the decision of the Administrator is not favorable, an interested party may appeal directly to the Administrative Review Board (formerly the Wage Appeals Board). Write to:

Administrative Review Board
U.S. Department of Labor
200 Constitution Avenue, N.W.
Washington, DC 20210

4.) All decisions by the Administrative Review Board are final.

=====

END OF GENERAL DECISIO"