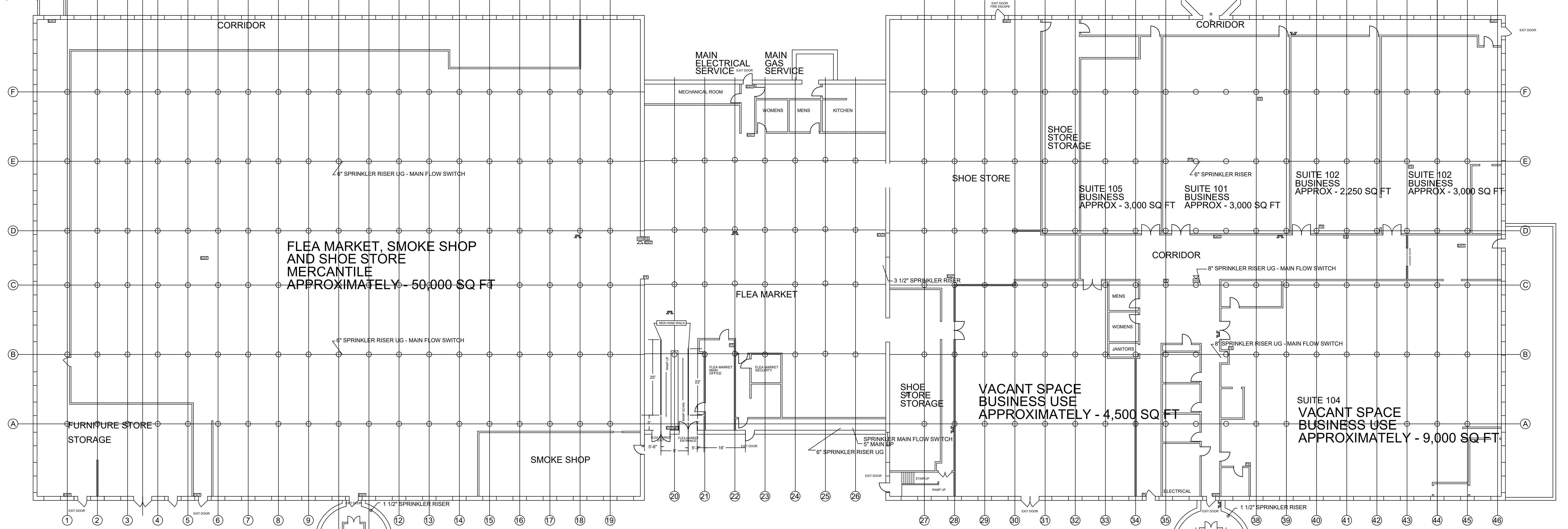
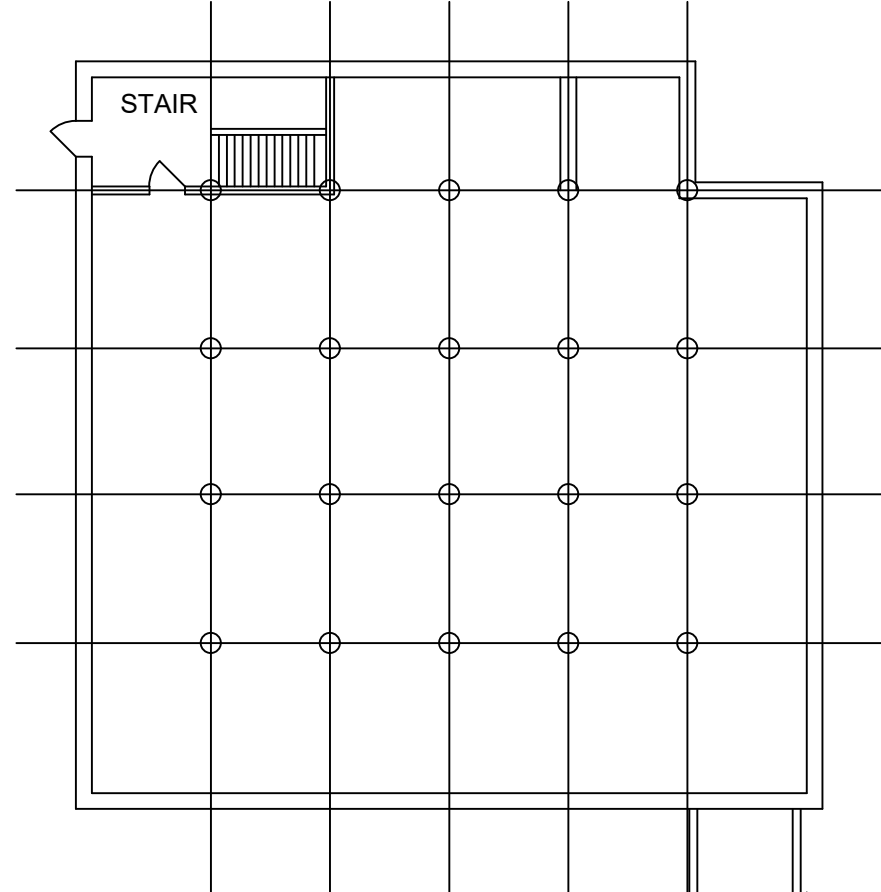
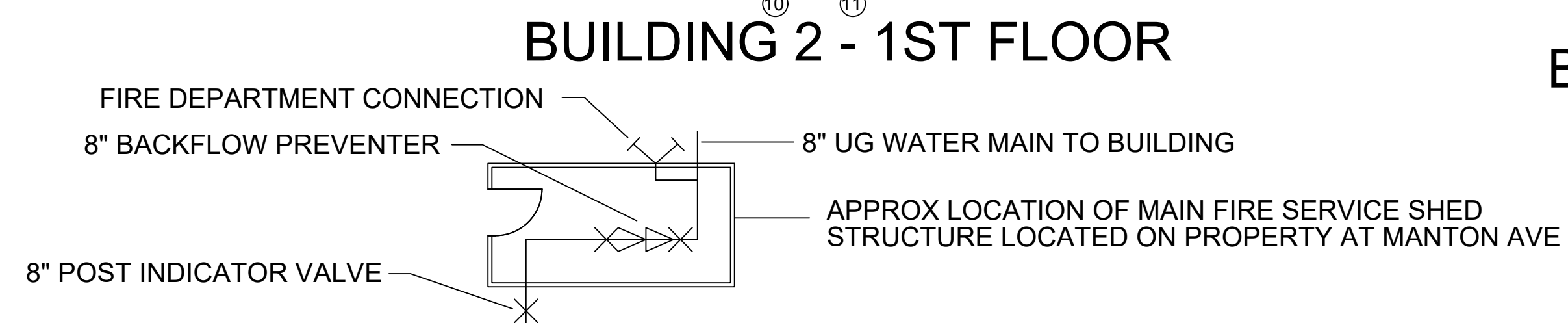


BUILDING 8 - 1ST FLOOR



*HALF WALLS WITHIN TENANT SPACES NOT INCLUDED IN FLOOR PLANS

*HALF WALLS WITHIN TENANT SPACES NOT INCLUDED IN FLOOR PLANS



BUILDING 2 - 1ST FLOOR

BUILDING 2 1/2 - 1ST FLOOR

BUILDING 3 - 1ST FLOOR

LEGEND	
	EXISTING EXIT SIGN
	EXISTING EMERGENCY LIGHT
	EXISTING FIRE EXTINGUISHER
	EXISTING PULL STATION
	EXISTING HORN/STROBE

SCALE - 1/16 = 1'-0"