



BOARD OF CONTRACT AND SUPPLY
CITY OF PROVIDENCE, RHODE ISLAND

REQUEST FOR PROPOSALS

Item Description: Fire Hydrants and Upper Sections-Dry Barrel 3 Year Contract (Exp. 6/30/27)

Procurement/MinuteTraq #: 44481

Date to be opened: Monday, April 22, 2024.

Issuing Department: Providence Water

QUESTIONS

- Please direct questions related to the bidding process, how to fill out forms, and how to submit a bid (Pages 1-8) to the Purchasing Department.
 - Email: purchasing@providenceri.gov
 - Please use the subject line “**Solicitation Question**”
- Please direct questions relative to the Minority and Women’s Business Enterprise Program and the corresponding forms (Pages 9-13) to the MBE/WBE Outreach Director for the City of Providence, Grace Diaz
 - Email: gdiaz@providenceri.gov
 - Please use subject line “**MBE WBE Forms**”
- Please direct questions relative to the specifications outlined (beginning on page 14) to the issuing department’s subject matter expert:
 - Name: Paul Sherry
 - Title: Division Manager - Transmission & Distribution
 - Email Address: paulsh@provwater.com

Pre-bid Conference

No Pre-bid Conference.

Deadline for questions submissions: March 30, 2024.



**BOARD OF CONTRACT AND SUPPLY
CITY OF PROVIDENCE, RHODE ISLAND**

INSTRUCTIONS FOR SUBMISSION

Meeting Date: April 22, 2024.

Bids may be submitted up to **2:15 P.M.** on the above meeting date at the **Department of the City Clerk, Room 311, City Hall, 25 Dorrance Street, Providence.** At 2:15 P.M. all bids will be publicly opened and read at the Board of Contract Meeting in Conference Room 305, on the 3rd floor of City Hall.

- Bidders must submit **2 copies** of their bid in sealed envelopes or packages labeled with the captioned **Item Description** and the **City Department to which the solicitation and bid are related and must include the company name and address on the envelope as well.** (On page 1).
- If required by the Department, please keep the original bid bond and check in only one of the envelopes.
- Communications to the Board of Contract and Supply that are not competitive sealed bids (i.e. product information/samples) should have “**NOT A BID**” written on the envelope or wrapper.
- Only use form versions and templates included in this solicitation. If you have an old version of a form do not recycle it for use in this bid.
- The bid envelope and information relative to the bid must be addressed to:

**Board of Contract and Supply
Department of the City Clerk – City Hall, Room 311
25 Dorrance Street
Providence, RI 02903**

****PLEASE NOTE:** This bid may include details regarding information that you will need to provide (such as proof of licenses) to the issuing department before the formalization of an award.

This information is NOT requested to be provided in your initial bid by design.

All bids submitted to the City Clerk become public record. Failure to follow instructions could result in information considered private being posted to the city’s Open Meetings Portal and made available as a public record. The City has made a conscious effort to avoid the posting of sensitive information on the City’s Open Meetings Portal, by requesting that such sensitive information be submitted to the issuing department only at their request.



**BOARD OF CONTRACT AND SUPPLY
CITY OF PROVIDENCE, RHODE ISLAND**

BID PACKAGE CHECKLIST

Digital forms are available in the City of Providence Purchasing Department Office or online at <http://www.providenceri.gov/purchasing/how-to-submit-a-bid/>

The bid package **MUST** include the following, in this order:

- Bid Form 1: Bidder's Blank as the cover page/ 1st page (*see page 6 of this document*)
- Bid Form 2: Certification of Bidder as 2nd page (*see page 7 of this document*)
- Bid Form 3: Certificate Regarding Public Records (*see page 8 of this document*)
- Bid Form 4: Affidavit of City Vendor (*see pages 9 and 10 of this document*)
- Forms from the Minority and Women Business Enterprise Program: Based on Bidder Category. *See forms and instructions enclosed (pages 11-112) or on:*
<https://www.providenceri.gov/purchasing/minority-women-owned-business-mbewbe-procurement-program/>

***Please note: MBE/WBE forms must be completed for EVERY bid submitted and must be inclusive of ALL required signatures. Forms without all required signatures will be considered incomplete.**

- Bidder's Proposal/Packet: Formal response to the specifications outlined in this RFP, including pricing information and details related to the good(s) or service(s) being provided. Please be mindful of formatting responses as requested to ensure clarity.
- Financial Assurance, *if requested* (as indicated on page 5 of this document under "Bid Terms")

All of the above listed documents are REQUIRED. (With the exception of financial assurances, which are only required if specified on page 5.)

*****Failure to meet specified deadlines, follow specific submission instructions, or enclose all required documents with all applicable signatures will result in disqualification, or in an inability to appropriately evaluate bids.**



BOARD OF CONTRACT AND SUPPLY
CITY OF PROVIDENCE, RHODE ISLAND

NOTICE TO VENDORS

1. The Board of Contract and Supply will make the award to the lowest qualified and responsible bidder.
2. In determining the lowest responsible bidder, cash discounts based on preferable payment terms will not be considered.
3. Where prices are the same, the Board of Contract and Supply reserves the right to award to one bidder, or to split the award.
4. No proposal will be accepted if the bid is made in collusion with any other bidder.
5. Bids may be submitted on an "equal in quality" basis. The City reserves the right to decide equality. Bidders must indicate brand or the make being offered and submit detailed specifications if other than brand requested.
6. A bidder who is an out-of-state corporation shall qualify or register to transact business in this State, in accordance with the Rhode Island Business Corporation Act, RIGL Sec. 7-1.2-1401, et seq.
7. The Board of Contract and Supply reserves the right to reject any and all bids.
8. Competing bids may be viewed in person at the Department of the City Clerk, City Hall, Providence, immediately upon the conclusion of the formal Board of Contract and Supply meeting during which the bids were unsealed/opened. Bids may also be accessed electronically on the internet via the City's [Open Meetings Portal](#).
9. As the City of Providence is exempt from the payment of Federal Excise Taxes and Rhode Island Sales Tax, prices quoted are not to include these taxes.
10. In case of error in the extension of prices quoted, the unit price will govern.
11. The contractor will **NOT** be permitted to: a) assign or underlet the contract, or b) assign either legally or equitably any monies or any claim thereto without the previous written consent of the City Purchasing Director.
12. Delivery dates must be shown in the bid. If no delivery date is specified, it will be assumed that an immediate delivery from stock will be made.
13. A certificate of insurance will normally be required of a successful vendor.
14. For many contracts involving construction, alteration and/or repair work, State law provisions concerning payment of prevailing wage rates apply ([RIGL Sec. 37-13-1 et seq.](#))
15. No goods should be delivered, or work started without a Purchase Order.
16. **Submit 2 copies of the bid to the City Clerk, unless the specification section of this document indicates otherwise.**
17. Bidder must certify that it does not unlawfully discriminate on the basis of race, color, national origin, gender, gender identity or expression, sexual orientation and/or religion in its business and hiring practices and that all of its employees are lawfully employed under all applicable federal, state and local laws, rules and regulations. (See Bid Form 2.)



BOARD OF CONTRACT AND SUPPLY
CITY OF PROVIDENCE, RHODE ISLAND

BID TERMS

1. Financial assurances may be required in order to be a successful bidder for Commodity or Construction and Service contracts. If either of the first two checkboxes below is checked, the specified assurance must accompany a bid, or the bid will not be considered by the Board of Contract and Supply. The third checkbox indicates the lowest responsible bidder will be contacted and required to post a bond to be awarded the contract.
 - a) A certified check for \$_____ must be deposited with the City Clerk as a guarantee that the Contract will be signed and delivered by the bidder.
 - b) A bid bond in the amount of _____ per centum (%) of the proposed total price, must be deposited with the City Clerk as a guarantee that the contract will be signed and delivered by the bidder; and the amount of such bid bond shall be retained for the use of the City as liquidated damages in case of default. Any person signing a bid bond as an attorney-in-fact shall include with the bid bond an original, or a photocopy or facsimile of an original, power of attorney.
 - c) A performance and payment bond with a satisfactory surety company will be posted by the bidder in a sum equal to one hundred per centum (100%) of the awarded contract.
 - d) No financial assurance is necessary for this item.
2. Awards will be made within **nighty (90) days of bid opening**. All bid prices will be considered firm, unless qualified otherwise. Requests for price increases will not be honored.
3. Failure to deliver within the time quoted or failure to meet specifications may result in default in accordance with the general specifications. It is agreed that deliveries and/or completion are subject to strikes, lockouts, accidents, and Acts of God.

The following entry applies only for COMMODITY BID TERMS:

4. Payment for partial delivery will not be allowed except when provided for in blanket or term contracts.

The following entries apply only for CONSTRUCTION AND SERVICE BID TERMS:

5. Only one shipping charge will be applied in the event of partial deliveries for blanket or term contracts.
6. Prior to commencing performance under the contract, the successful bidder shall attest to compliance with the provisions of the Rhode Island Worker's Compensation Act, [RIGL 28-29-1, et seq.](#) If exempt from compliance, the successful bidder shall submit a sworn Affidavit by a corporate officer to that effect, which shall accompany the signed contract.
7. Prior to commencing performance under the contract, the successful bidder shall, submit a certificate of insurance, in a form and in an amount satisfactory to the City.



**BOARD OF CONTRACT AND SUPPLY
CITY OF PROVIDENCE, RHODE ISLAND**

BID FORM 1: Bidders Blank

1. Bids must meet the attached specifications. Any exceptions or modifications must be noted and fully explained.
2. Bidder's responses must be in ink or typewritten, and all blanks on the bid form should be completed.
3. The price or prices proposed should be stated both in **WRITING** and in **FIGURES**, and any proposal not so stated may be rejected. **Contracts exceeding twelve months must specify annual costs for each year.**
4. Bids **SHOULD BE TOTALED** so that the final cost is clearly stated (unless submitting a unit price bid), however **each item should be priced individually**. Do not group items. Awards may be made on the basis of *total* bid or by *individual items*.
5. All bids **MUST BE SIGNED IN INK.**

Name of Bidder (Firm or Individual): _____

Contact Name: _____

Business Address: _____

Business Phone #: _____

Contact Email Address: _____

Agrees to bid on (Write the "Item Description" here): _____

If the bidder's company is based in a state other than Rhode Island, list name and contact information for a local agent for service of process that **is located within Rhode Island**

Delivery Date (if applicable): _____

Name of Surety Company (if applicable): _____

Total Amount in Writing*: _____

Total Amount in Figures*: _____

****If you are submitting a unit price bid, please insert "Unit Price Bid"***

Use additional pages if necessary for additional bidding details.

Signature of Representation

Title



**BOARD OF CONTRACT AND SUPPLY
CITY OF PROVIDENCE, RHODE ISLAND**

BID FORM 2: Certification of Bidder
(Non-Discrimination/Hiring)

Upon behalf of _____ (Firm or Individual Bidding),

I, _____ (Name of Person Making Certification),

being its _____ (Title or "Self"), hereby certify that:

1. Bidder does not unlawfully discriminate on the basis of race, color, national origin, gender, sexual orientation and/or religion in its business and hiring practices.
2. All of Bidder's employees have been hired in compliance with all applicable federal, state and local laws, rules and regulations.

I affirm by signing below that I am duly authorized on behalf of Bidder, on
this _____ day of _____ 20_____.

Signature of Representation

Printed Name



**BOARD OF CONTRACT AND SUPPLY
CITY OF PROVIDENCE, RHODE ISLAND**

BID FORM 3: Certificate Regarding Public Records

Upon behalf of _____ (Firm or Individual Bidding),

I, _____ (Name of Person Making Certification),

being its _____ (Title or "Self"), hereby certify an

understanding that:

1. All bids submitted in response to Requests for Proposals (RFP's) and Requests for Qualification (RFQ's), documents contained within, and the details outlined on those documents become public record upon receipt by the City Clerk's office and opening at the corresponding Board of Contract and Supply (BOCS) meeting.
2. The Purchasing Department and the issuing department for this RFP/RFQ have made a conscious effort to request that sensitive/personal information be submitted directly to the issuing department and only at request if verification of specific details is critical the evaluation of a vendor's bid.
3. The requested supplemental information may be crucial to evaluating bids. Failure to provide such details may result in disqualification, or an inability to appropriately evaluate bids.
4. If sensitive information that has not been requested is enclosed or if a bidder opts to enclose the defined supplemental information prior to the issuing department's request in the bidding packet submitted to the City Clerk, the City of Providence has no obligation to redact those details and bears no liability associated with the information becoming public record.
5. The City of Providence observes a public and transparent bidding process. Information required in the bidding packet may not be submitted directly to the issuing department at the discretion of the bidder in order to protect other information, such as pricing terms, from becoming public. Bidders who make such an attempt will be disqualified.

I affirm by signing below that I am duly authorized on behalf of Bidder, on

this _____ day of _____ 20_____.

Signature of Representation

Printed Name



**BOARD OF CONTRACT AND SUPPLY
CITY OF PROVIDENCE, RHODE ISLAND**

BID FORM 4: Affidavit of City Vendor

Per our Code of Ordinances [Sec. 21.-28.1 \(e\)](#), this form applies to a) the business, b) any political action committee whose name includes the name of the business, c) all persons holding ten (10) percent or greater equity interest or five thousand dollars (\$5,000.00) or greater cash value interest in the business at any time during the reporting period, d) all executive officers of the business entity, e) any spouse or dependent child of any individual identified in a) though d) above.

Executive officers who are not residents of the state of Rhode Island are exempted from this requirement.

Per [R.I.G.L. § 36-14-2](#), "Business" means a sole proprietorship, partnership, firm, corporation, holding company, joint stock company, receivership, trust, or any other entity recognized in law through which business for profit or not for profit is conducted .

Name of the person making this affidavit: _____

Position in the "Business" _____

Name of Entity _____

Address: _____

Phone number: _____

The number of persons or entities in your entity that are required to report under [Sec. 21.-28.1 \(e\)](#): _____

Read the following paragraph and answer one of the options:

Within the 12 month period preceding the date of this bid submission with the City of Providence, or with respect to the contracts that are not in writing within the 12 month period preceding the date of notification that the contract has reached the \$100,000 threshold, have you made campaign contributions within a calendar year to (please list all persons or entities required under [Sec. 21.-28.1 \(e\)](#)).

a. Members of the Providence City Council? Yes No

- If Yes, please complete the following:

Recipient(s) of the Contribution:

Contribution Date(s):

Contribution Amount(s):

b. Candidates for election or reelection to the Providence City Council? Yes No

- If Yes, please complete the following:

Recipient(s) of the Contribution:

Contribution Date(s):

Contribution Amount(s):



**BOARD OF CONTRACT AND SUPPLY
CITY OF PROVIDENCE, RHODE ISLAND**

c. The Mayor of Providence? Yes No

- If Yes, please complete the following:

Recipient(s) of the Contribution:

Contribution Date(s):

Contribution Amount(s):

d. Candidates for election or reelection to the office of Mayor of Providence? Yes No

- If Yes, please complete the following:

Recipient(s) of the Contribution:

Contribution Date(s):

Contribution Amount(s):

Signed under the pains and penalties of perjury.

Position



**BOARD OF CONTRACT AND SUPPLY
CITY OF PROVIDENCE, RHODE ISLAND**

MBE/WBE Participation Plan

Please complete separate forms for each MBE/WBE subcontractor/supplier to be utilized on the solicitation.

Bidder's Name:				
Bidder's Address:				
Point of Contact:				
Telephone:				
Email:				
Procurement #:				
Project Name:				
Which one of the following describes your business' status in terms of Minority and/or Woman Owned Business Enterprise certification with the State of Rhode Island? (Check all that apply).	<input type="checkbox"/> MBE <input type="checkbox"/> WBE <input type="checkbox"/> Neither MBE nor WBE			
This form is intended to capture commitments between the prime contractor/vendor and MBE/WBE subcontractors and suppliers, including a description of the work to be performed and the percentage of the work as submitted to the prime contractor/vendor. Please note that all MBE/WBE subcontractors/suppliers must be certified by the Office of Diversity, Equity and Opportunity at the time of bid. The MBE/WBE Directory can be found here . Please visit, the City's MBE/WBE page for details of the program (e.g. instructions and requirements).				
<ul style="list-style-type: none"> • Nonprofit organizations are not required to complete the rest of this form. • Construction projects unable to identify subcontractors prior to bid submission (e.g. Design Build) are required to provide updates to the MBE/WBE Outreach Office 				
Name of Subcontractor/Supplier:				
Type of RI Certification:	<input type="checkbox"/> MBE <input type="checkbox"/> WBE <input type="checkbox"/> Neither			
Address:				
Point of Contact:				
Telephone:				
Email:				
Detailed Description of Work to Be Performed by Subcontractor or Materials to be Supplied by Supplier Per the Scope of Work provided in the RFP				
Total Contract Value (\$):		Subcontract Value (\$):		Participation Rate (%):
Anticipated Date of Performance:				
I certify under penalty of perjury that the forgoing statements are true and correct.				
Prime Contractor/Vendor Signature		Title		Date
Subcontractor/Supplier Signature		Title		Date

***If you did not meet the 20% MBE/WBE combined participation goal, submit a Waiver Request Form.**



**BOARD OF CONTRACT AND SUPPLY
CITY OF PROVIDENCE, RHODE ISLAND**

MBE/WBE Waiver Request Form

**Fill out this form only if you did not meet the 20% MBE/WBE participation goal.
State-certified MBE or WBE Prime Bidders are NOT REQUIRED to fill out this form.**

Submit this form to the City of Providence MBE/WBE Outreach Director, Grace Diaz, at gdiaz@providenceri.gov, for review **prior to bid submission**. This waiver applies only to the current bid which you are submitting to the City of Providence and does not apply to other bids your company may submit in the future. **In case a waiver is needed, City Department Directors should not recommend a bidder for an award if this form is not included, absent or is not signed by the city of Providence MBE/WBE director.**

Prime Bidder: _____ Contact Email and Phone _____
Company Name, Address: _____ Trade _____
Project /Item Description (as seen on RFP): _____

To receive a waiver, you must list the certified MBE and/or WBE companies you contacted, the name of the primary individual with whom you interacted, and the reason the MBE/WBE company could not participate on this project.

MBE/WBE Company Name	Individual's Name	Company Name	Why did you choose not to work with this company?

I acknowledge the City of Providence's goal of a combined MBE/WBE participation is 20% of the total bid value. I am requesting a waiver of _____ % MBE/WBE (20% minus the value of **Box F** on the Subcontractor Disclosure Form). If an opportunity is identified to subcontract any task associated with the fulfillment of this contract, a good faith effort will be made to select MBE/WBE certified businesses as partners.

Signature of Prime Contractor /
or Duly Authorized Representative

Printed Name

Date Signed

Signature of City of Providence
MBE/WBE Outreach Director /
or Duly Authorized Representative

Printed Name of City of Providence
MBE/WBE Outreach Director

Date Signed



**BOARD OF CONTRACT AND SUPPLY
CITY OF PROVIDENCE, RHODE ISLAND**

SUPPLEMENTAL INFORMATION

If the issuing department for this RFP determines that your firm's bid is best suited to accommodate their need, you will be asked to provide proof of the following prior to formalizing an award.

An inability to provide the outlined items at the request of the department may lead to the disqualification of your bid.

*This information is **NOT** requested to be provided in your initial bid that you will submit to the City Clerk's office by the "date to be opened" noted on page 1. This list only serves as a list of items that your firm should be ready to provide on request.*

All bids submitted to the City Clerk become public record. Failure to follow instructions could result in information considered private being posted to the city's Open Meetings Portal and made available as a public record.

You must be able to provide:

- Business Tax ID
- Proof of Insurance.
- Certificate of Good Standing with the Rhode Island Secretary of State.



**BOARD OF CONTRACT AND SUPPLY
CITY OF PROVIDENCE, RHODE ISLAND**

CITY OF PROVIDENCE STANDARD TERMS & CONDITIONS

1. The terms “you” and “your” contained herein refer to the person or entity that is a party to the agreement with the City of Providence (“the City”) and to such person’s or entity’s employees, officers, and agents.
2. The Request For Proposals (“RFP”) and these Standard Terms and Conditions together constitute the entire agreement of the parties (“the Agreement”) with regard to any and all matters. By your submission of a bid proposal or response to the City’s RFP, you accept these Standard Terms & Conditions and agree that they supersede any conflicting provisions provided by bid or in any terms and conditions contained or linked within a bid and/or response. Changes in the terms and conditions of the Agreement, or the scope of work thereunder, may only be made by a writing signed by the parties.
3. You are an independent contractor and in no way does this Agreement render you an employee or agent of the City or entitle you to fringe benefits, workers’ compensation, pension obligations, retirement or any other employment benefits. The City shall not deduct federal or state income taxes, social security or Medicare withholdings, or any other taxes required to be deducted by an employer, and this is your responsibility to yourself and your employees and agents.
4. You shall not assign your rights and obligations under this Agreement without the prior written consent of the City. Any assignment without prior written consent of the City shall be voidable at the election of the City. The City retains the right to refuse any and all assignments in the City’s sole and absolute discretion.
5. Invoices submitted to the City shall be payable sixty (60) days from the time of receipt by the City. Invoices shall include support documentation necessary to evidence completion of the work being invoiced. The City may request any other reasonable documentation in support of an invoice. The time for payment shall not commence, and invoices shall not be processed for payment, until you provide reasonably sufficient support documentation. In no circumstances shall the City be obligated to pay or shall you be entitled to receive interest on any overdue invoice or payment. In no circumstances shall the City be obligated to pay any costs associated with your collection of an outstanding invoice.
6. For contracts involving construction, alteration, and/or repair work, the provisions of applicable state labor law concerning payment of prevailing wage rates (R.I. Gen. Laws §§ 37-13-1 et seq., as amended) and the City’s First Source Ordinance (Providence Code of Ordinances §§ 21-91 et seq., as amended) apply.
7. With regard to any issues, claims, or controversies that may arise under this Agreement, the City shall not be required to submit to dispute resolution or mandatory/binding arbitration. Nothing prevents the parties from mutually agreeing to settle any disputes using mediation or non-binding arbitration.
8. To the fullest extent permitted by law, you shall indemnify, defend, and hold harmless the City, its employees, officers, agents, and assigns from and against any and all claims, damages, losses, allegations, demands, actions, causes of action, suits, obligations, fines, penalties, judgments, liabilities, costs and expenses, including but not limited to attorneys’ fees, of any nature whatsoever arising out of, in connection with, or resulting from the performance of the work provided in the Agreement.
9. You shall maintain throughout the term of this Agreement the insurance coverage that is required by the RFP or, if none is required in the RFP, insurance coverage that is considered in your industry to be commercially reasonable, and you agree to name the City as an additional insured on your general liability policy and on any umbrella policy you carry.
10. The City shall not subject itself to any contractual limitations on liability. The City shall have the time permitted within the applicable statute of limitations, and no less, to bring or assert any and all causes of action, suits, claims or demands the City may have arising out of, in connection with, or resulting from the performance of the work provided in the Agreement, and in no event does the City agree to limit your liability to the price of the Agreement or any other monetary limit.
11. The City may terminate this Agreement upon five (5) days’ written notice to you if you fail to observe any of the terms and conditions of this Agreement, or if the City believes your ability to perform the



**BOARD OF CONTRACT AND SUPPLY
CITY OF PROVIDENCE, RHODE ISLAND**

terms and conditions of this Agreement has been materially impaired in any way, including but in no way limited to loss of insurance coverage, lapsing of a surety bond, if required, declaration of bankruptcy, or appointment of a receiver. In the event of termination by the City, you shall be entitled to just and equitable compensation for any satisfactory work completed and expenses incurred up to the date of termination.

12. Written notice hereunder shall be deemed to have been duly served if delivered in person to the individual or member of the firm or entity or to an officer of the entity for whom it was intended, or if delivered at or sent by registered or certified mail to the last business address known by the party providing notice.
13. In no event shall the Agreement automatically renew or be extended without a writing signed by the parties.
14. You agree that products produced or resulting from the performance of the Agreement are the sole property of the City and may not be used by you without the express written permission of the City.
15. For any Agreement involving the sharing or exchange of data involving potentially confidential and/or personal information, you shall comply with any and all state and/or federal laws or regulations applicable to confidential and/or personal information you receive from the City, including but not limited to the Rhode Island Identity Theft Protection Act, R.I. Gen. Laws § 11-49.3-1, during the term of the Agreement. You shall implement and maintain appropriate physical, technical, and administrative security measures for the protection of, and to prevent access to, use, or disclosure of, confidential and/or personal information. In the event of a breach of such information, you shall notify the City of such breach immediately, but in no event later than twenty-four (24) hours after discovery of such breach.
16. The Agreement is governed by the laws of the State of Rhode Island. You expressly submit yourself to and agree that any and all actions arising out of, in connection with, or resulting from the performance of the Agreement or relationship between the parties shall occur solely in the venue and jurisdiction of the State of Rhode Island or the federal court located in Rhode Island.
17. The failure of the City to require performance of any provision shall not affect the City's right to

require performance at any time thereafter, nor shall a waiver of any breach or default of this Agreement constitute a waiver of any subsequent breach or default or a waiver of the provision itself.

18. If any term or provision of this Agreement, or the application thereof to any person or circumstance shall, in any extent, be invalid or unenforceable, the remainder of this Agreement shall not be affected thereby, and each term and provision shall be valid and enforceable to the fullest extent permitted by law.

Certificate of Insurance

1. The Original Certificate of Insurance must be mailed to:

Providence Water

125 Dupont Drive

Providence, RI 02907

Attention: Elizabeth Paquin

2. Certificate must be completely filled out listing all Insurance Companies, Coverage's. and Limits. Providence Water (PW) require the following Certificate must be completely filled out listing all Insurance Companies, Coverage's. and Limits. Providence Water (PW) require the following insurances requirements.

Required	Coverage
x	Worker's Compensation and Occupational Insurance: In statutory amounts, Covering all employees of the contractor. Employer's liability coverage with limits of not less than \$500,000.00/ each accident or illness shall be included.
x	Commercial General Liability Insurance: Commercial Liability Insurance with limits of not less than \$1,000,000.000 per occurrence, for bodily injury and/or property damage liability \$2,000,000.000 in the aggregate. Products/completed operation, independent contractors, and contractual liability coverages are to be included. No exclusions for rigging, hoisting, explosions, collapse and/or underground. Completed operations coverage must remain in effect for a period of not less than 2 years after the completion of all work. "The City of Providence, Providence Water, its officers and agents are to name as an additional insured."
x	Automobile Liability Insurance: When any motor vehicles are used in connection with the work to be performed the Contractor shall maintain Automobile Liability Insurance with limits of not less \$1,000,000.00 per occurrence, combined single limit, for bodily injury and property damage. "The City of Providence, Providence Water are to be named as additionally insured."
	Builder's Risk Policy: When a free standing unit is to be constructed or any addition to our facilities made in connection with the work specified, the Contractor must provide Builder's Risk Insurance or an Installation Floater covering all risks with limits equal to the award of the contract.
	Professional Liability Insurance: When any architects, engineers, or consulting firms perform work in connection with any contract, the contractor shall maintain Professional Liability Insurance with limits not less than \$2,000,000.00 per occurrence and aggregate.

3. The insured name must be the same name as the name on the bid submitted.
4. Insurance Certificates should state the Title of Project to be performed.

Important Information to all Bidders

For

Fire Hydrants and Upper Sections

1. This is a Blanket Contract from July 1, 2024 through June 30, 2027. **ALL PRICES QUOTED MUST REMAIN FIRM FROM THIS TIME PERIOD.**
2. All quoted prices to include any and all cost including freight for deliveries to Providence Water Supply Board.
3. Deliveries will only be accepted Monday through Friday (Excluding Holidays) between the hours of 8:00 am through 3:00 pm. It is the responsibility of the vendor to accept proper signature for all deliveries.
4. The successful bidder must be able to deliver any item listed herein, within **30 days** from receipt of order. Failure to meet this delivery date may cause cancellation of contract and award to another vendor.
5. Deliveries will be made upon the request of the proper Providence Water officials. **PROVIDENCE WATER RESERVES THE RIGHT TO REQUIRE PARTIAL ORDERS AND SHIPMENTS AS DEEMED NECESSARY.**
6. A packing slip must accompany all material listing all part numbers and description of items.
7. The general and specific characteristics of the attached specifications shall not be interpreted as to exclude any manufacturer or product that would reasonably be considered as a comparable product. **ANY COMPARABLE PRODUCT MUST BE APPROVED BY PROVIDENCE WATER OFFICIALS.**
8. The award of this contract in no way obligates the City to buy the estimated quantities or spend the corresponding estimated dollars.
9. Providence Water reserves the right to cancel this contract at any time with 30 days written notice.
10. Providence Water reserves to right to purchase any quantity of any item listed.
11. Providence Water reserves the right to request a sample of any item listed herein prior to the award
12. Providence Water reserves the right to award this bid in its entirety to one vendor or to award by category to multiple vendors as deemed in its best interest.

SCOPE OF WORK/SPECIFICATIONS

INTENT

Providence Water is seeking bids for a vendor to provide fire hydrants.

GENERAL REQUIREMENTS

The vendor shall provide only the hydrant models stated on the bidder's blank.

It is understood by all parties that no guarantees are made as to items or quantities to be purchased, and that the discount offered shall prevail for the life of the contract regardless of the actual amount expended, whether more or less than the estimated dollar volume.

Fire hydrants shall comply in all respects with AWWA Standard C-502, latest revision. Fire hydrants shall be of the compression type, with the main valve opening against the pressure and closing with the pressure. The main valve opening shall be 5 1/4" in diameter. Fire Hydrant shall be of a dry barrel, dry top design. The nozzle section shall consist of two (2) 2.5" hose nozzles and one (1) 4.5" pumper nozzle as specified.

The hydrant shall be so designed that when it is in place, no excavation will be required to remove the main valve and movable parts of the drain valve. Further, the hydrant shall be of the type that can be extended without excavating.

All hydrants and hydrant parts shall be lead free and they shall comply with the latest Amendments to Safe Drinking Water Act (SDWA) Section 1417 and the 2011 Reduction of Lead in Drinking Water Act. "Lead free" shall be as defined in SDWA Section 1417.

Hydrants shall be traffic model with break-away flange and secured by eight (8) unweakened grade 304 stainless steel bolts providing three hundred sixty degrees rotation of the upper barrel. Stem coupling joint is located below the top of the lowest barrel. Stem coupling is to be torque resistant and have uniform wall thickness. The breakable stem coupling shall join the upper stem and the lower stem adjacent to the ground line flange. Screws, pins, fasteners, or bolts used in the coupling shall be 304 stainless steel. All exterior nuts and bolts shall be a minimum of 304 stainless steel. The hydrant shoe shall be constructed of ductile iron and capable of accepting pipe up 7.10" outside diameter pipe.

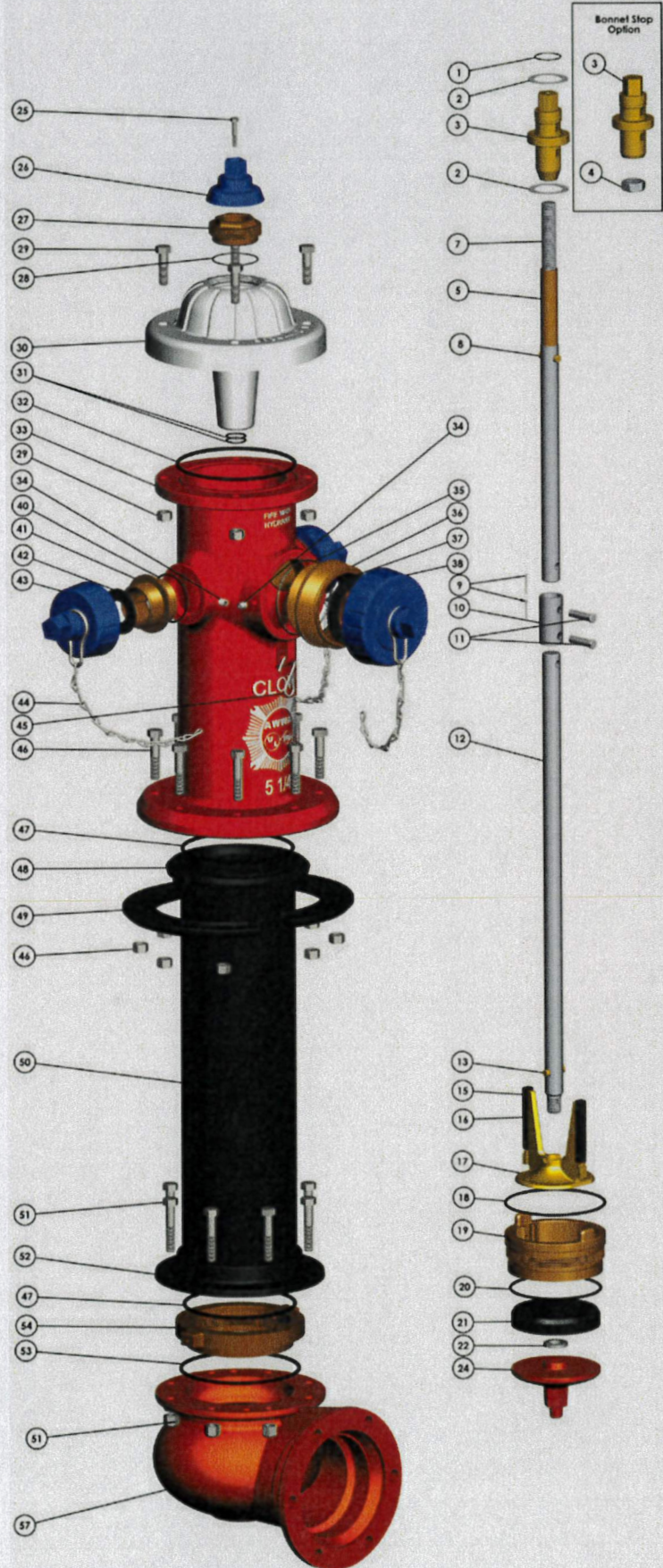
All hydrants shall open clockwise (Right). The operating nut shall be lubricated at the factory with food grade grease. The operating nut shall be 1.5" pentagon and be pre-machined to accept a Custodian tamper proof device.

Hydrant upper barrels shall be coated with Forrest Green color and the Bonnet shall be coated Safety Yellow. Fire hydrant red may also be needed at times at Owner's discretion.

MEDALLION HYDRANT PARTS ASSEMBLY



ITEM NO.	DESCRIPTION	MATERIAL	QTY.
1	Operating Nut O-Ring	Rubber	1
2	Thrust Bearing	Plastic	2
3	Operating Nut	Copper Alloy	1
4	Bonnet Stop	Zinc Plated Steel	1
5	Upper Stem Sleeve	Copper Alloy	1
7	Upper Stem	Steel	1
8	Pin	Stainless Steel	1
9	Cotter Pin	Stainless Steel	2
10	Safety Stem Coupling	Stainless Steel	1
11	Safety Coupling Pin	Stainless Steel	2
12	Lower Stem	Steel	1
13	Pin	Stainless Steel	1
15	Pin	Stainless Steel	4
16	Drain Valve Facing	Rubber	2
17	Upper Valve Plate	Copper Alloy	1
18	Seat Ring Upper O-Ring	Rubber	1
19	Seat Ring	Copper Alloy	1
20	Seat Ring Lower O-Ring	Rubber	1
21	Main Valve Seat	Rubber	1
22	Lock Washer	Stainless Steel	1
24	Lower Valve Plate	Gray Iron	1
25	Hex Head Bolt	Zinc Plated Steel	1
26	Weather Cap	Gray Iron	1
27	Thrust Nut	Copper Alloy	1
28	Thrust Nut O-Ring	Rubber	1
29	Hex Head Bolt & Nut	Zinc Plated Steel	4
30	Bonnet	Gray Iron	1
31	Stem O-Ring	Rubber	2
32	Bonnet O-Ring	Rubber	1
33	Nozzle Section	Gray Iron	1
34	Socket Set Screw	Stainless Steel	3
35	Pumper O-Ring	Rubber	1
36	Pumper Nozzle	Copper Alloy	1
37	Pumper Nozzle Gasket	Rubber	1
38	Pumper Cap	Gray Iron	1
40	Hose O-Ring	Rubber	2
41	Hose Nozzle	Copper Alloy	1
42	Hose Nozzle Gasket	Rubber	2
43	Hose Nozzle Cap	Gray Iron	2
44	Nozzle Cap Chain	Zinc Plated Steel	3
45	Chain "S" Hook	Zinc Plated Steel	1
46	Hex Head Bolt & Nut	Zinc Plated Steel	8
47	Barrel O-Ring	Rubber	1
48	Barrel Upper Flange	Ductile Iron	1
49	Safety Flange	Gray Iron	2
50	Barrel	Ductile Iron	1
51	Hex Head Bolt & Lock Nut	Stainless Steel	8
52	Barrel Lower Flange	Ductile Iron	1
53	Drain Ring O-Ring	Rubber	1
54	Drain Ring	Copper Alloy	1
57	Shoe	Ductile Iron	1





5 1/4" B-62-B FIRE HYDRANT

PIPE PLUG-provides access to lubrication chamber. Pipe plug can be replaced with lubricating fitting to lubricate the rod threads and thrust washers.

OPERATING NUT-cast one piece bronze operating nut. Design of the operating thread permits slow closing of the hydrant valve, reducing the possibility of water hammer.

O-RINGS-seal lubrication chamber, assure dry-top hydrant, reduce friction, prevent water from reaching the operating mechanism.

HYDRANT ROD-furnished in two sections of high tensile steel. Upper section has bronze sleeve where it passes through O-rings. Upper and lower sections are connected by cast iron coupling using stainless steel pins.

HYDRANT SEAT-made of bronze, with accurately machined seat for hydrant valve with (2) drain ports.

BOLTS AND NUTS-all bolts and nuts are plated steel for corrosion resistance.

HYDRANT VALVE-consists of a cast iron valve top and valve bottom and hydrant valve rubber. Rod threads are permanently sealed from contact with water. Hydrant valve seals against the bronze hydrant seat.

BASE-spherical-shaped base has no projections or cavities to obstruct flow or collect sediment. 6" M.J.J. base is **ductile iron**.

WEATHER COVER (cast iron with rubber weather shield)-The word "open" and an arrow show direction to turn the operating nut. The rubber weather shield prevents water and debris from entering the housing area.

HOUSING AND HOUSING COVER-retain operating nut and thrust washer. Rugged construction withstands operating forces.

THRUST WASHER-takes upward thrust when opening hydrant valve and reduces operating torque.

TOP TRAVEL STOP NUT-provides a positive limit to main rod travel. Eliminates contact of valve bottom with interior of base, thereby protecting coating.

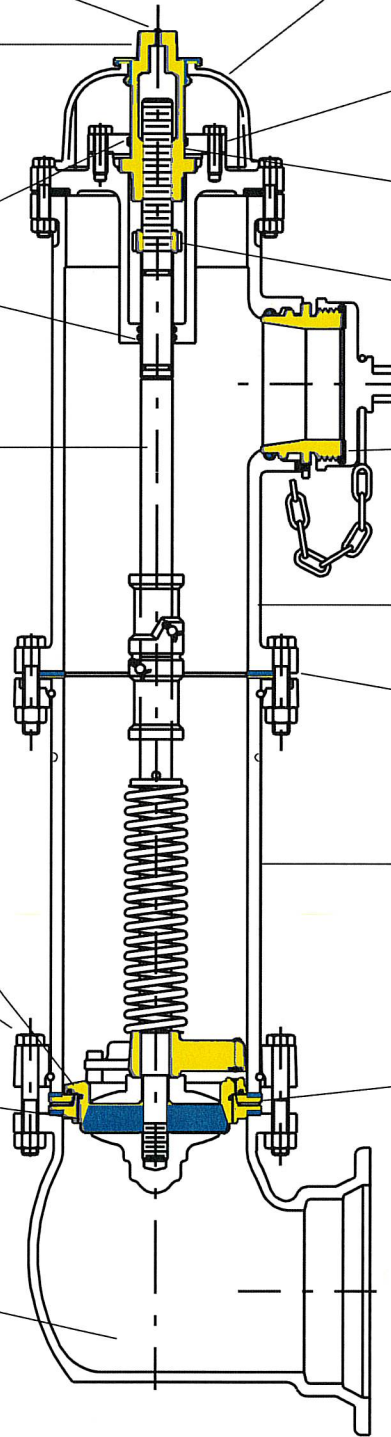
NOZZLES-patented Amlok design allows field replacement of damaged nozzles in minutes by one person. Bronze nozzles are streamlined and have micrometer-checked threads.

UPPER BARREL-cast iron with markings identifying size, model and year of manufacture.

TRAFFIC FEATURE-Upper barrel is connected to lower barrel with breakable traffic flange and 8 bolts and nuts. This feature allows 360° rotation of upper nozzle section.

LOWER BARREL-The ductile iron lower barrel provides extra strength against traffic impact damage.

BRONZE DRAIN RING-securely held between barrel and base flange, provides bronze-to-bronze threaded connection for hydrant seat. Serves as non-corrosive multiport (4) drain channel.



Fully complies with AWWA C-502 and is available UL 246 listed and Factory Mutual Approved for allowable configurations.

HYDRANTS FOR PROVIDENCE WATER FY25-27

Kennedy K81D

ITEM	Description	Size	Bid Price
1	Kennedy K81D - 5 1/4" Fire Hydrant, Custodian Ready	5'0" Bury	
		5'6" Bury	
		6'0" Bury	
		6'6" Bury	
2	Kennedy K81D - Fire Hydrant, Upper Section, custodian ready, Complete with Traffic Kit and Upper Stem	Upper section complete with traffic kit and upper stem	

American Darling B-62-B-5

ITEM	Description	Size	Bid Price
1	American Darling B-62-B-5 - 5 1/4" Fire Hydrant, Custodian Ready	5'0" Bury	
		5'6" Bury	
		6'0" Bury	
		6'6" Bury	
2	American Darling B-62-B-5 - Fire Hydrant, Upper Section, custodian ready, Complete with Traffic Kit and Upper Stem	Upper section complete with traffic kit and upper stem	

Clow Medallion

ITEM	Description	Size	Bid Price
1	Clow Medallion - 5 1/4" Fire Hydrant, Custodian Ready	5'0" Bury	
		5'6" Bury	
		6'0" Bury	
		6'6" Bury	
2	Clow Medallion - Fire Hydrant, Upper Section, custodian ready, Complete with Traffic Kit and Upper Stem	Upper section complete with traffic kit and upper stem	

NOTE: Under this bid all components shall be those manufactured by the original hydrant manufacturer and considered "original equipment." Substitutes shall not be allowed under any circumstances